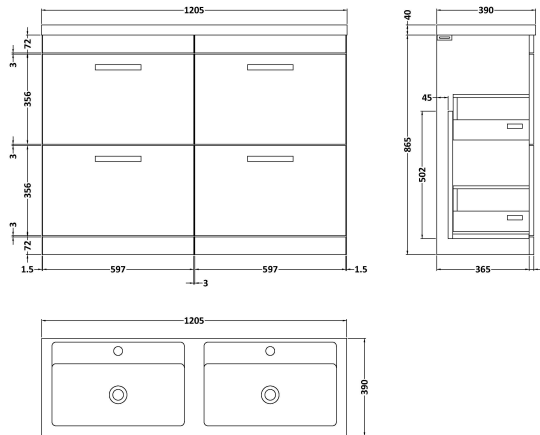


Sales Code: ATH029C

Description: 1200 Fs 4-Drawer Vanity & Double Basin

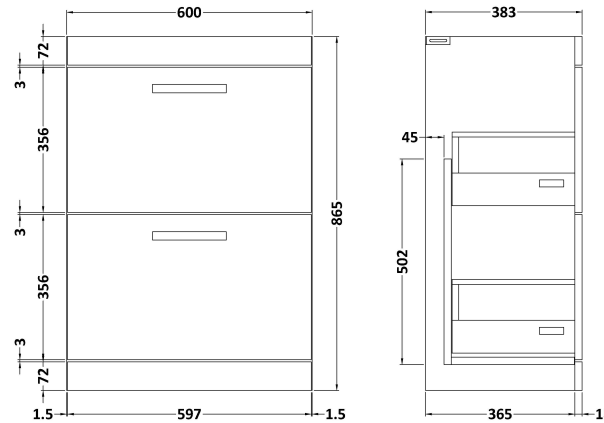


Packaging Details

Barcode: 5056211815228

Sales Code: MOC133

Description: 600 Floor Standing 2-Drawer Basin Unit



Product Dimensions

Height (mm):	865
Width (mm):	600
Depth (mm):	383
Nett Weight (kg):	26

Packaging Dimensions

Height (mm):	885
Width (mm):	620
Depth (mm):	405
Gross Weight (kg):	26.5

Packaging Data

Box Colour:	Brown Cardboard Box
Box Qty:	1
Label Size:	100 x 50
Label Colour:	White Label
Label Qty:	2

Outer Box Dimensions (If Applicable)

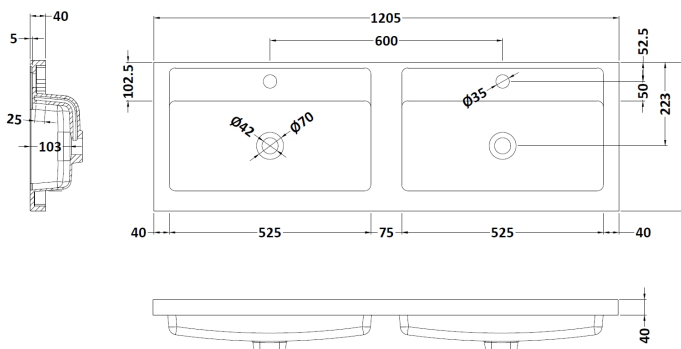
Height (mm):	
Width (mm):	
Depth (mm):	
Gross Weight (kg):	
Barcode:	5055275828496

Product Details

Country of Origin:	United Kingdom	
Fitting Instruction:	No	
Certification:	FSC: Yes	CE: N/A
Colour:	Driftwood	
Construction Method:	Cam & Wood Dowel	
Construction Type:	Rigid	
Cabinet Finish:	MFC Textured Woodgrain	
Fascia Finish:	MFC Textured Woodgrain	
Cabinet Thickness (mm):	18	
Fascia Thickness (mm):	18	
Drawer Included:	Yes	
Drawer Type:	80mm High Metal S/C Inc Galler	
No of Shelves:	0	
Hinge Type:	Not Applicable	
Hinge Included:	Not Applicable	
Adjustable Legs:	No, Not Required	
Fixings Included:	Yes	
Handle Style:	Contemporary	
Handle Included:	Yes, Supplied	
Waste Shroud:	Yes	
Handle Type:	D-Shape	

Sales Code: PMB424

Description: Double Polymarble Basin 1205 X 390



Product Dimensions

Height (mm):	390
Width (mm):	1205
Depth (mm):	157
Nett Weight (kg):	18.12

Packaging Dimensions

Height (mm):	100
Width (mm):	1205
Depth (mm):	400
Gross Weight (kg):	18.12

Packaging Data

Box Colour:	Brown Cardboard Box - Printed
Box Qty:	1
Label Size:	100 x 50
Label Colour:	White Label
Label Qty:	2

Outer Box Dimensions (If Applicable)

Height (mm):	
Width (mm):	
Depth (mm):	
Gross Weight (kg):	
Barcode:	5056211815136

Product Details

Country of Origin:	China
Fitting Instruction:	No
Certification:	CE: No WRAS: N/A WRAS No: N/A
Product Material:	Polymarble
Fixing Supplied:	No

Pans/Bidets: Trap Style: Not Applicable Includes Seat: Not Applicable

Seats: Seat Type: Not Applicable Material: Not Applicable
Function: Not Applicable Hinge Type: Not Applicable
Hinge Material: Not Applicable

Cisterns: Operating Type: Not Applicable Fittings: Not Applicable
Lever Type: Not Applicable

Basins: Tap Hole: Two Tapholes Chain Stay Hole: No
Template: Not Required Waste Type Req: Slotted
Overflow Inc: Yes Overflow Cover: Yes
Inner Bowl Depth (mm):