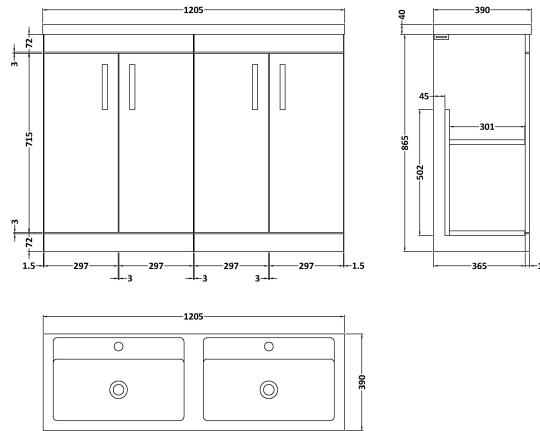


Sales Code: ATH025C

Description: 1200 Fs 4-Door Vanity & Double Basin

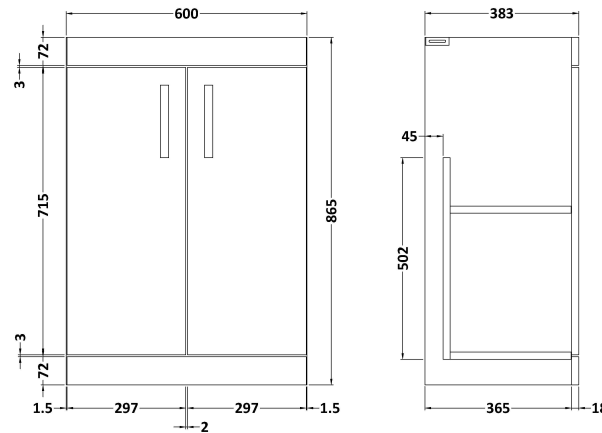


### Packaging Details

Barcode: 5056211815174

Sales Code: MOD503

Description: 600 2-Door F/S Unit



### Product Dimensions

|                   |     |
|-------------------|-----|
| Height (mm):      | 865 |
| Width (mm):       | 600 |
| Depth (mm):       | 383 |
| Nett Weight (kg): | 21  |

### Packaging Dimensions

|                    |      |
|--------------------|------|
| Height (mm):       | 405  |
| Width (mm):        | 620  |
| Depth (mm):        | 885  |
| Gross Weight (kg): | 21.5 |

### Packaging Data

|               |                     |
|---------------|---------------------|
| Box Colour:   | Brown Cardboard Box |
| Box Qty:      | 1                   |
| Label Size:   | 100 x 50            |
| Label Colour: | White Label         |
| Label Qty:    | 2                   |

### Outer Box Dimensions (If Applicable)

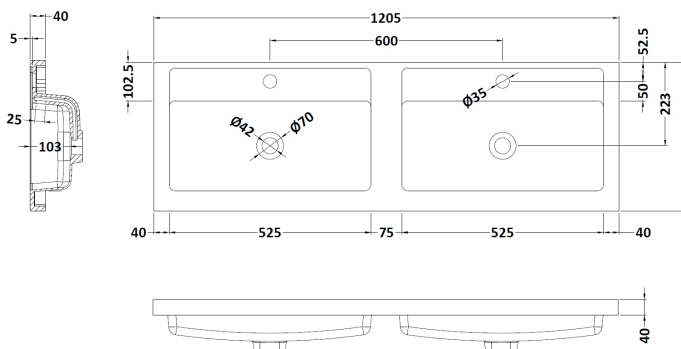
|                    |               |
|--------------------|---------------|
| Height (mm):       |               |
| Width (mm):        |               |
| Depth (mm):        |               |
| Gross Weight (kg): |               |
| Barcode:           | 5055275825495 |

### Product Details

|                         |                              |
|-------------------------|------------------------------|
| Country of Origin:      | United Kingdom               |
| Fitting Instruction:    | No                           |
| Certification:          | FSC: Yes CE: N/A             |
| Colour:                 | Brown Grey Avola             |
| Construction Method:    | Cam & Wood Dowel             |
| Construction Type:      | Rigid                        |
| Cabinet Finish:         | MFC Textured Woodgrain       |
| Fascia Finish:          | MFC Textured Woodgrain       |
| Cabinet Thickness (mm): | 18                           |
| Fascia Thickness (mm):  | 18                           |
| Drawer Included:        | No                           |
| Drawer Type:            | Not Applicable               |
| No of Shelves:          | 1                            |
| Hinge Type:             | 95 Degree Clip-On Soft Close |
| Hinge Included:         | Yes, Supplied                |
| Adjustable Legs:        | No, Not Required             |
| Fixings Included:       | Yes                          |
| Handle Style:           | Contemporary                 |
| Handle Included:        | Yes, Supplied                |
| Waste Shroud:           | No                           |
| Handle Type:            | D-Shape                      |

Sales Code: PMB424

Description: Double Polymarble Basin 1205 X 390



### Product Dimensions

|                   |       |
|-------------------|-------|
| Height (mm):      | 390   |
| Width (mm):       | 1205  |
| Depth (mm):       | 157   |
| Nett Weight (kg): | 18.12 |

### Packaging Dimensions

|                    |       |
|--------------------|-------|
| Height (mm):       | 100   |
| Width (mm):        | 1205  |
| Depth (mm):        | 400   |
| Gross Weight (kg): | 18.12 |

### Packaging Data

|               |                               |
|---------------|-------------------------------|
| Box Colour:   | Brown Cardboard Box - Printed |
| Box Qty:      | 1                             |
| Label Size:   | 100 x 50                      |
| Label Colour: | White Label                   |
| Label Qty:    | 2                             |

### Outer Box Dimensions (If Applicable)

|                    |               |
|--------------------|---------------|
| Height (mm):       |               |
| Width (mm):        |               |
| Depth (mm):        |               |
| Gross Weight (kg): |               |
| Barcode:           | 5056211815136 |

### Product Details

|                      |                               |
|----------------------|-------------------------------|
| Country of Origin:   | China                         |
| Fitting Instruction: | No                            |
| Certification:       | CE: No WRAS: N/A WRAS No: N/A |
| Product Material:    | Polymarble                    |
| Fixing Supplied:     | No                            |

**Pans/Bidets:** Trap Style: Not Applicable Includes Seat: Not Applicable

**Seats:** Seat Type: Not Applicable Material: Not Applicable  
Function: Not Applicable Hinge Type: Not Applicable  
Hinge Material: Not Applicable

**Cisterns:** Operating Type: Not Applicable Fittings: Not Applicable  
Lever Type: Not Applicable

**Basins:** Tap Hole: Two Tapholes Chain Stay Hole: No  
Template: Not Required Waste Type Req: Slotted  
Overflow Inc: Yes Overflow Cover: Yes  
Inner Bowl Depth (mm):