

# SPECIFICATION SHEET

**COLLECTION:**

**PRODUCT CODE:** NEB-MFSRK/SQ-DB-C/P



**DESCRIPTION:**

nebula square multi-function slide rail shower kit with

- 3 function push-button control handset
- rub-clean
- 680mm slide rail
- 150cm shower hose
- wall mounted

minimum operating pressure 1.0 bar MP

**FINISH:**

Chrome

**FLOW REGULATOR:**

FR-SHOWER/9-C/P

**MINIMUM OPERATING PRESSURE:**

1.0 bar MP



tel: 01934 744466  
email: sales@vado.com  
www.vado.com

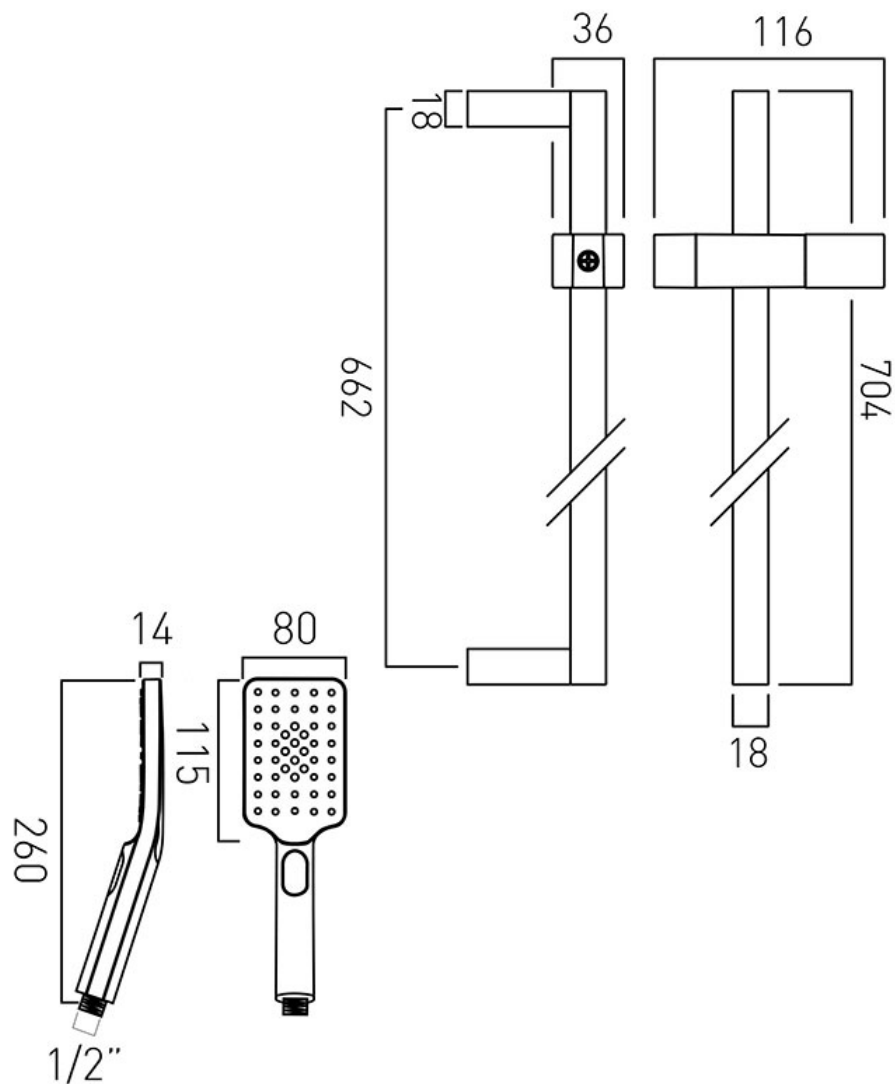
**where inspiration flows**  
taps | showering | accessories



# TECHNICAL DRAWING

**COLLECTION:**

**PRODUCT CODE:** NEB-MFSRK/SQ-DB-C/P



tel: 01934 744466  
email: sales@vado.com  
www.vado.com

**where inspiration flows**  
taps | showering | accessories

