

# SPECIFICATION SHEET

## COLLECTION:

**PRODUCT CODE:** NEB-MFSRK/RO/B-DB-CP



## DESCRIPTION:

nebula round multi-function slide rail shower kit with smooth hose with

- 3 function push-button control handset
- rub-clean
- 680mm slide rail
- 150cm smoothflex anti-twist silver shower hose
- hose retainer
- wall mounted

minimum operating pressure 1.0 bar MP

## FINISH:

Chrome

## FLOW REGULATOR:

FR-SHOWER/9-C/P

## MINIMUM OPERATING PRESSURE:

1.0 bar MP



tel: 01934 744466  
email: sales@vado.com  
www.vado.com

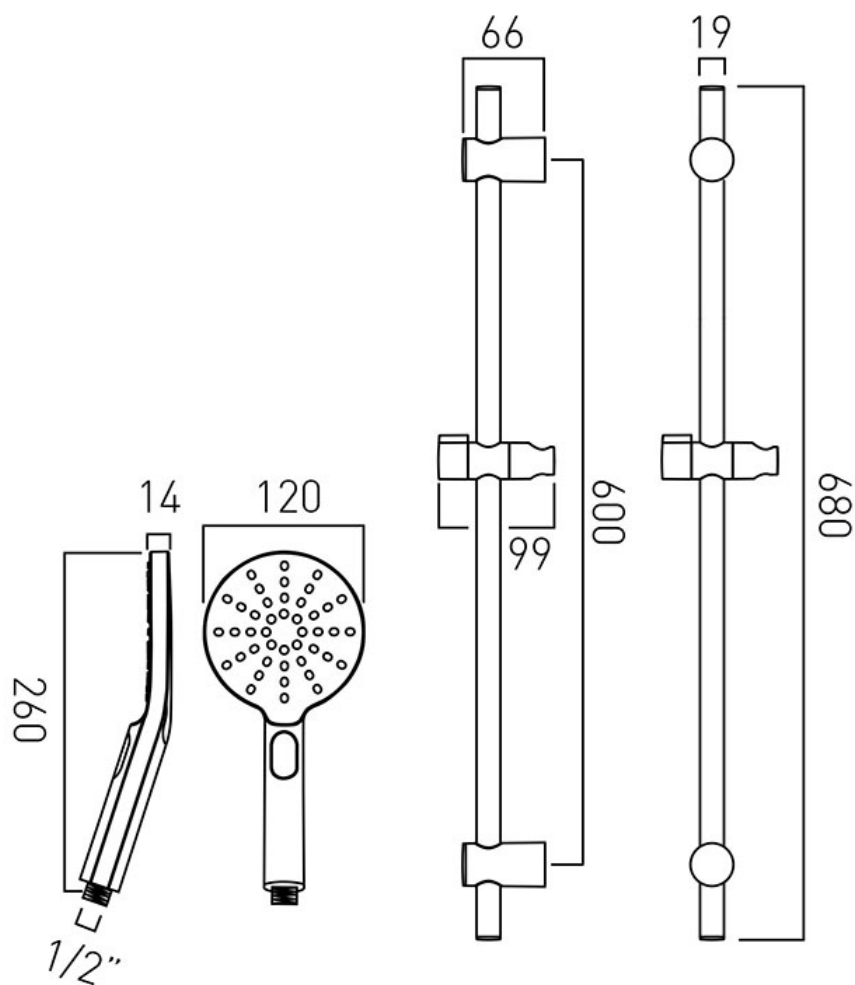
**where inspiration flows**  
taps | showering | accessories



# TECHNICAL DRAWING

**COLLECTION:**

**PRODUCT CODE:** NEB-MFSRK/RO/B-DB-CP



tel: 01934 744466  
email: sales@vado.com  
www.vado.com

**where inspiration flows**  
taps | showering | accessories

