

# SPECIFICATION SHEET

## COLLECTION:

**PRODUCT CODE:** MIX-SFMKWO-C/P



## DESCRIPTION:

single function mini shower kit  
wall mounted  
with hose and bracket with integral outlet  
1/2" inlet  
minimum operating pressure 1.0 bar MP

## FINISH:

Chrome

## FLOW REGULATOR:

FR-SHOWER/9-C/P

## MINIMUM OPERATING PRESSURE:

1.0 bar MP

## FLOW RATE AT 3.0 BAR FLOW PRESSURE:

17 l/min



tel: 01934 744466  
email: sales@vado.com  
www.vado.com

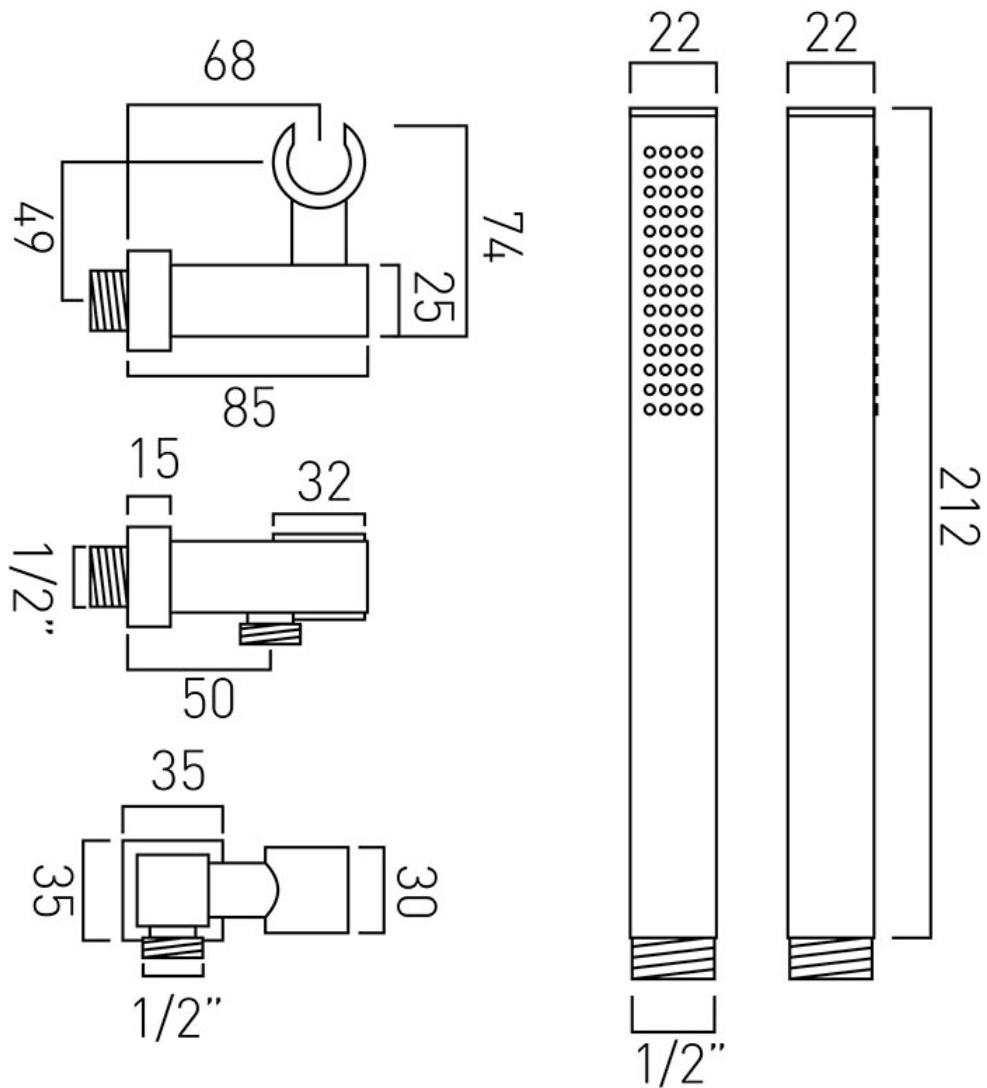
**where inspiration flows**  
taps | showering | accessories



# TECHNICAL DRAWING

COLLECTION:

PRODUCT CODE: MIX-SFMKWO-C/P



tel: 01934 744466  
email: sales@vado.com  
www.vado.com

**where inspiration flows**  
taps | showering | accessories

