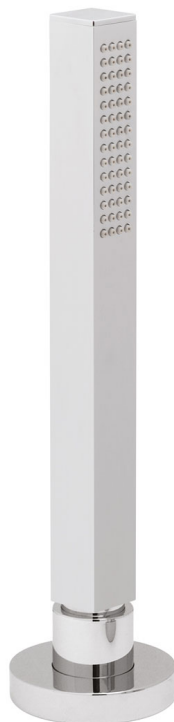


SPECIFICATION SHEET

COLLECTION:

PRODUCT CODE: MIX-DECKKIT-C/P



DESCRIPTION:

single function shower handset
deck mounted
with hose and handset
deck mount drill hole 27mm

to change any deck mounted handset to sit at a 45°
angle order product WG-ELBOW/45-C/P
minimum operating pressure 1.0 bar MP

FINISH:

Chrome

FLOW REGULATOR:

FR-SHOWER/9-C/P

MINIMUM OPERATING PRESSURE:

1.0 bar MP

FLOW RATE AT 3.0 BAR FLOW PRESSURE:

17 l/min



tel: 01934 744466
email: sales@vado.com
www.vado.com

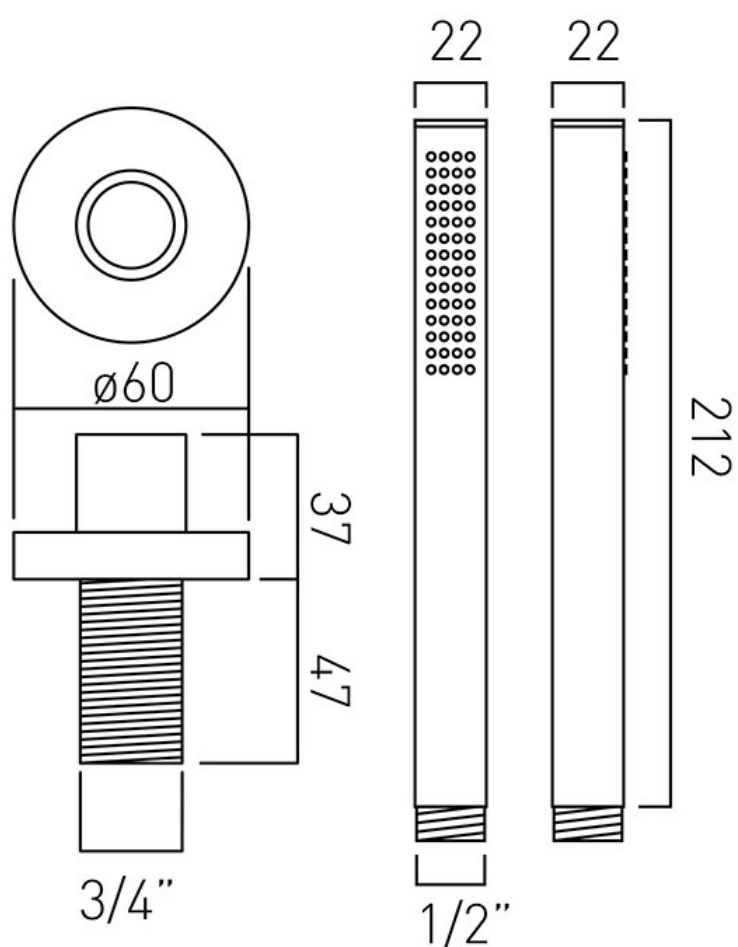
where inspiration flows
taps | showering | accessories



TECHNICAL DRAWING

COLLECTION:

PRODUCT CODE: MIX-DECKKIT-C/P



tel: 01934 744466
email: sales@vado.com
www.vado.com

where inspiration flows
taps | showering | accessories

