

IMPORTANT

BEFORE DISPOSING OF PACKAGING PLEASE ENSURE THAT COLOUR AND SIZE OF TRAY IS AS ORDERED.

NO CLAIM FOR INCORRECT COLOUR OR DAMAGE CAN BE ACCEPTED ONCE TRAY IS INSTALLED.

Incase of query, quote order reference and date code stamped on pack label. Do not dispose of packaging.

It is important that the top of the tray where the door/side panels are located is installed **absolutely level** and the tray is draining correctly. We recommend a **drainage test** is carried out before tray is tiled in. Please ensure the walls around the pre-installed shower area are upright. The tray should be fully supported under the complete base of the tray and fully bedded onto a weak sand and cement mixture throughout. Any final levelling can be achieved by securing the tray to the floor with stainless steel countersunk screws fitted through the tiling flange. Use a 4-5mm drill for a No.6 or No.8 countersunk screw (not provided), do not over tighten screws. For effective drainage please ensure optimum fall on pipe work, and that this complies with Building Regulations.

When installing with a shower surround, refer to installation instructions before fitting tray. Ensure that the tray and the shower surround dimensions are compatible. It is important that an effective watertight silicone seal is applied between the tray and tiles **before** installing shower surround (see illustration).

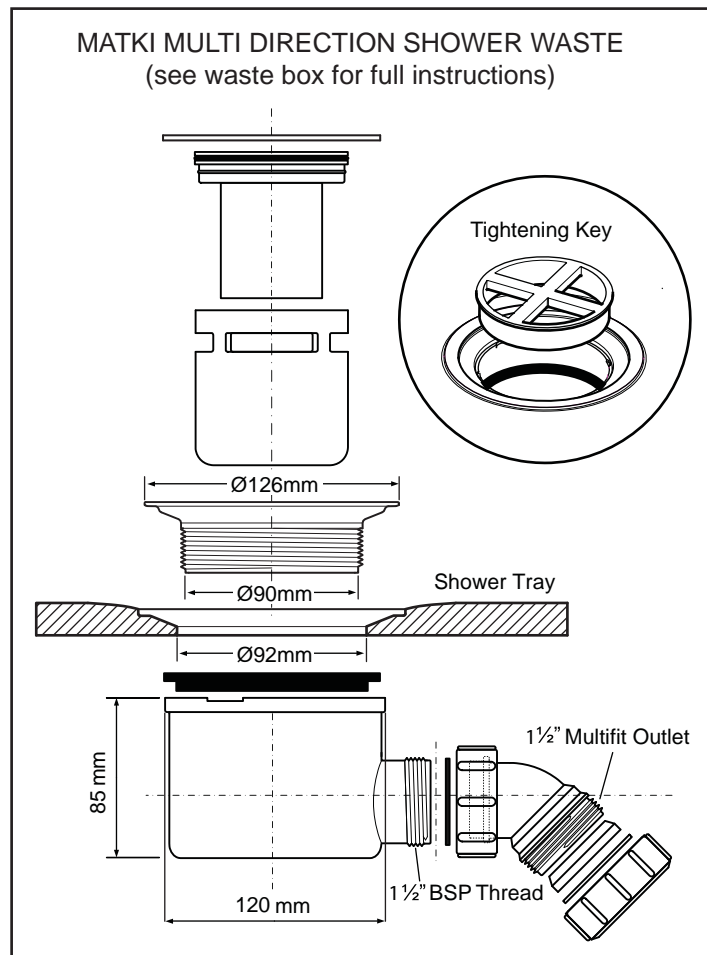
For a flush look the enclosure can be installed close to the front edge of the FL tray. Please refer to the enclosure installation for the maximum and minimum dimensions.

Protect standing area during installation. The tray is covered in a clear protective film, this should be removed from the edges of the tray before tiling and completely removed before fitting the enclosure.

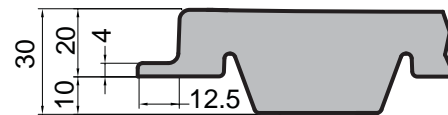
To Keep the shower tray looking new, clean with warm soapy water, rinse and dry off with a clean towel after use. Do not use abrasive household cleaners, scouring pads or acidic-based descaler products. Remove any rubber shower mats from tray after showering to avoid staining of tray.

HANDLE WITH CARE

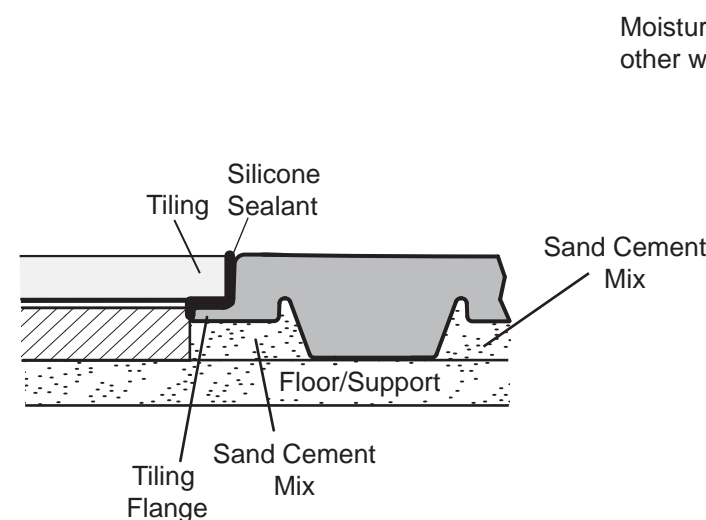
TRAY MUST BE LEVEL
IN ALL PLANES



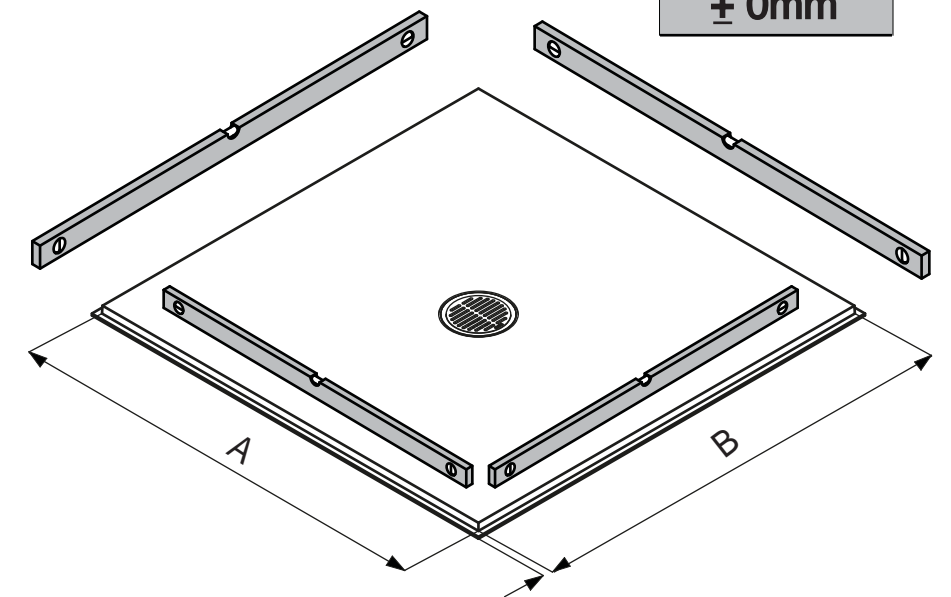
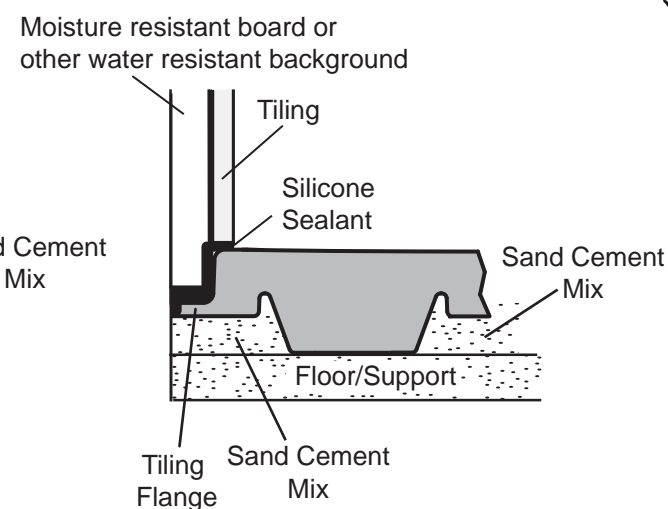
Cross section with Dimensions



Typical Installation for Wetroom Floor



Typical Wall Installation



12.5mm Flange all around

MODEL	A*	B*
FL800	785	785
FL9080	885	785
FL900	885	885
FL1280	1185	785
FL1290	1185	885
FL1590	1485	885

* Add 12.5mm all round for Tiling Flange



MATKI PLC, CHURCHWARD ROAD, YATE, BRISTOL, BS37 5PL
TELEPHONE:01454 328816 (AFTER SALES) FAX:01454 328821 EMAIL: techsupport@matki.co.uk