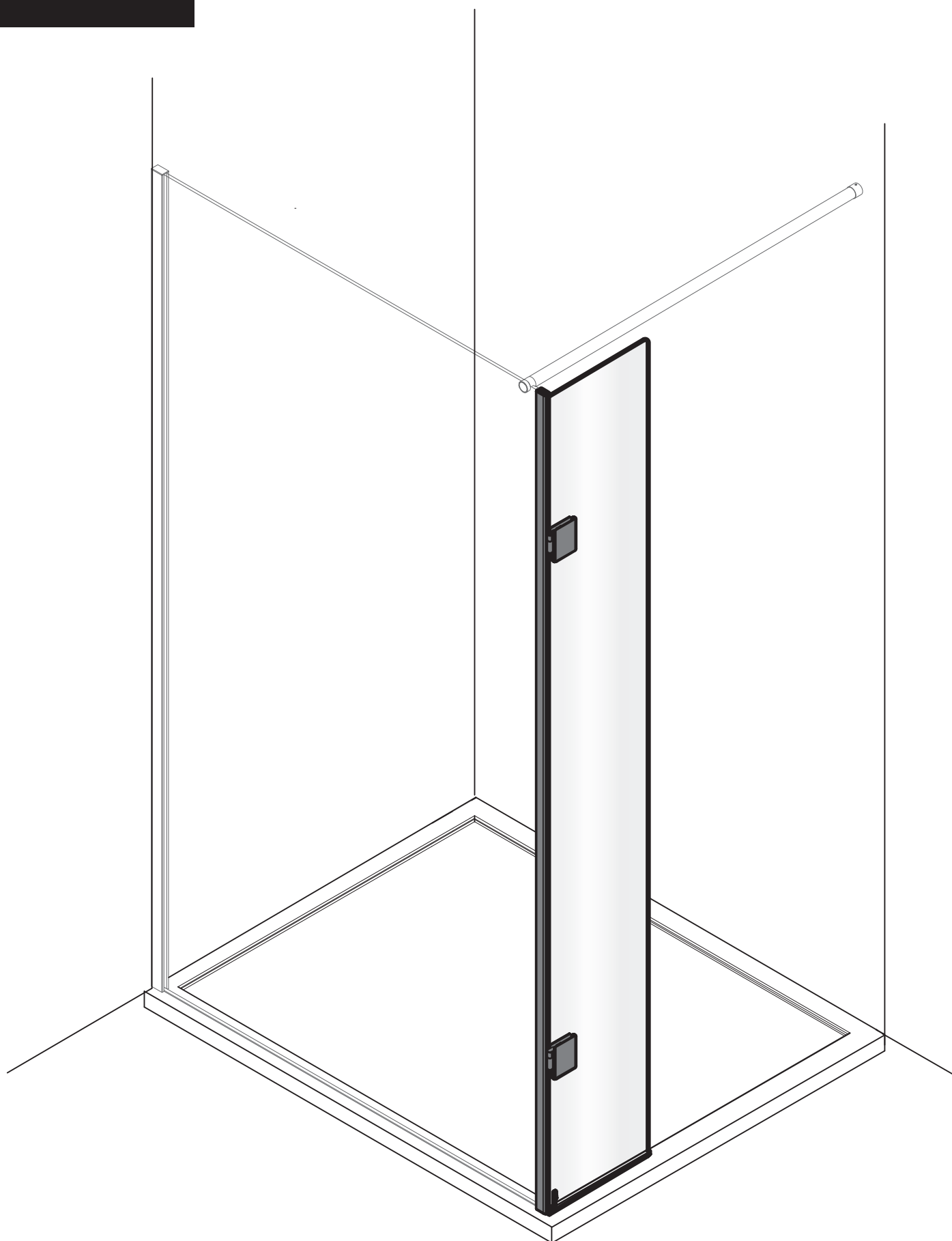


matki

SHOWERING

ASP/MATKI ONE HINGE PANEL

INSTALLATION



MATKI PLC, CHURCHWARD ROAD, YATE, BRISTOL, BS37 5PL
TELEPHONE:01454 328816 (AFTER SALES) FAX:01454 328821 EMAIL: techsupport@matki.co.uk

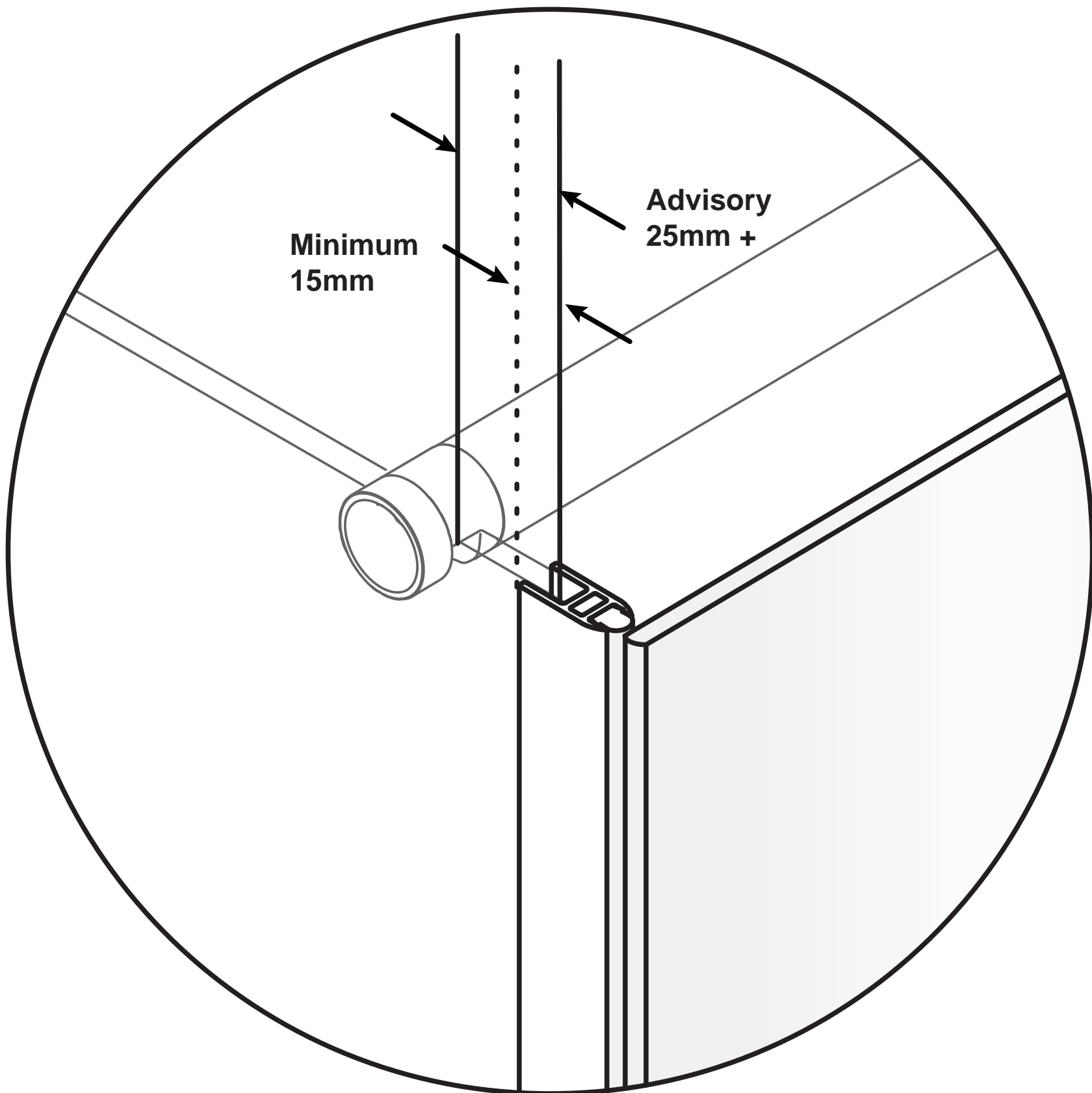
DISCLAIMER

PLEASE NOTE:

CHECK **BEFORE** ATTACHING THAT ALL PARTS ARE CORRECT AND FREE FROM MARKS.

ONCE THE HINGE PANEL IS ATTACHED IT **CANNOT** BE REMOVED AND REPLACED.

ATTEMPTING TO REMOVE THE HINGE PANEL ONCE FITTED IS LIKELY TO DAMAGE THE FIXED PANEL AND MAY RESULT IN THE WHOLE UNIT NEEDING TO BE REPLACED.

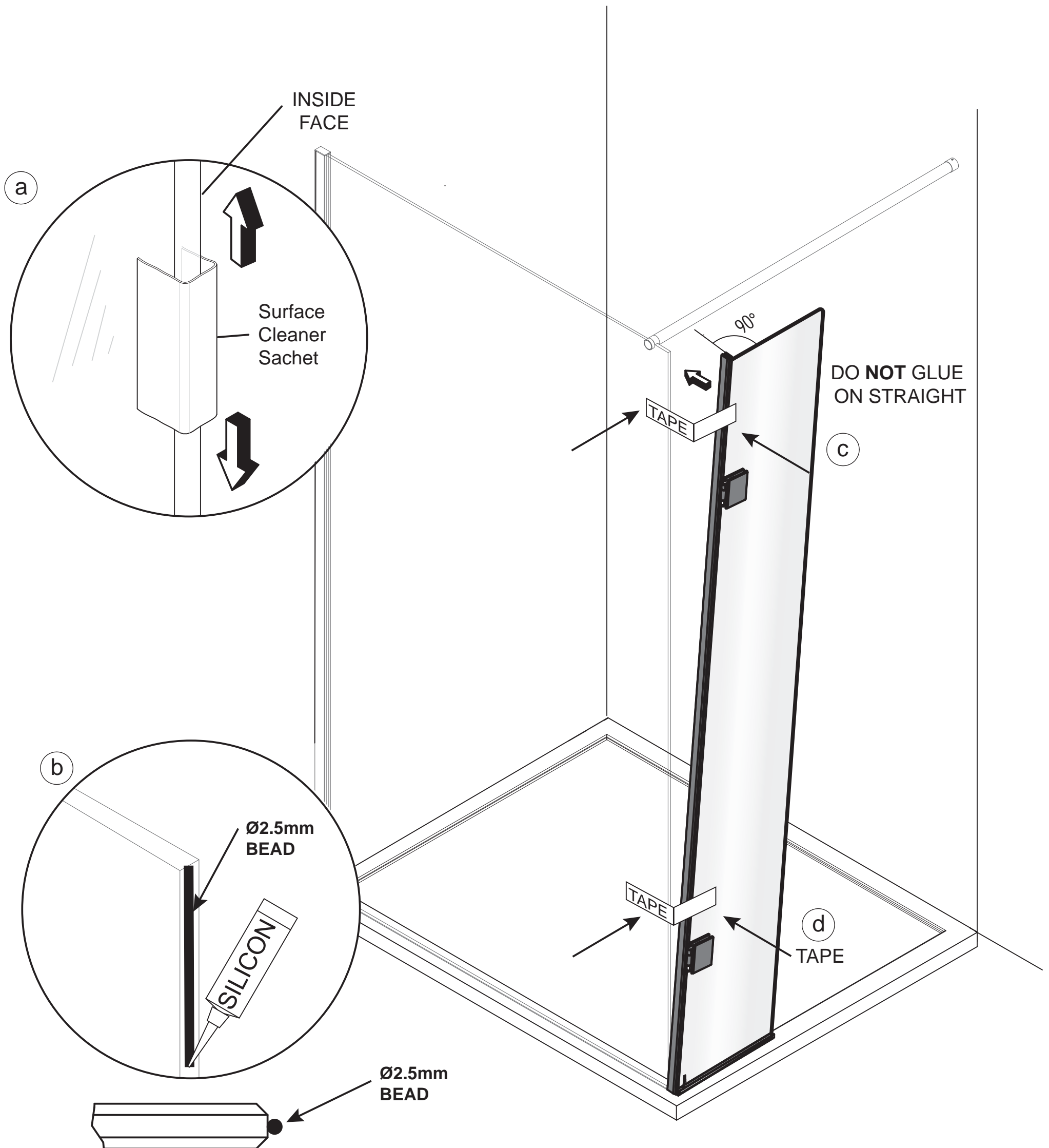


IMPORTANT:

CHECK **BEFORE** ATTACHING THAT THE BRACE BAR ON THE PRE INSTALLED FIXED PANEL IS A MINIMUM OF 15MM FROM THE END OF THE FIXED PANEL IN ORDER FOR THE HINGE PANEL TO FIT. WE ADVISE THAT THE BRACE BAR IS FITTED **25MM +** FROM THE END OF THE FIXED PANEL.

STAGE 1

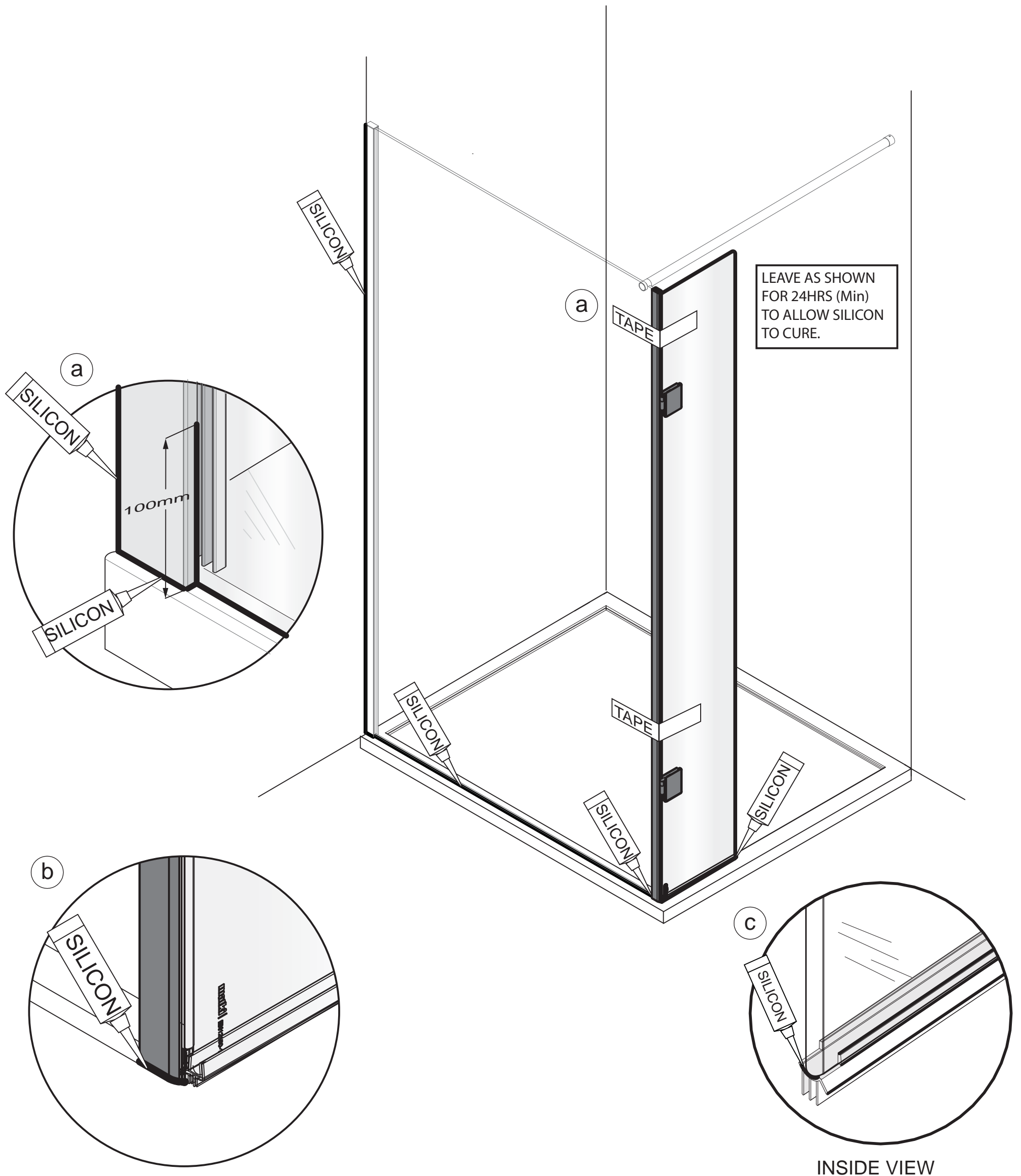
This stage shows the fitting of a LH panel.



This stage is describing the fitting of the Hinged Panel.

- Thoroughly clean the edge of your existing glass panel with surface cleaner sachet provided in the kit of parts.
- Apply a Ø2.5mm bead of silicon to the end edge of the Fixed Panel.
- Press the Hinge Panel, angled at 90° to the end edge of the Fixed Panel (Do NOT put on straight).
- Apply tape to the Hinge Panel and Fixed Panel to hold the Hinge Panel in position. Allow 24 hrs for the silicon to cure.

STAGE 2



This stage is describing the sealing of the unit.

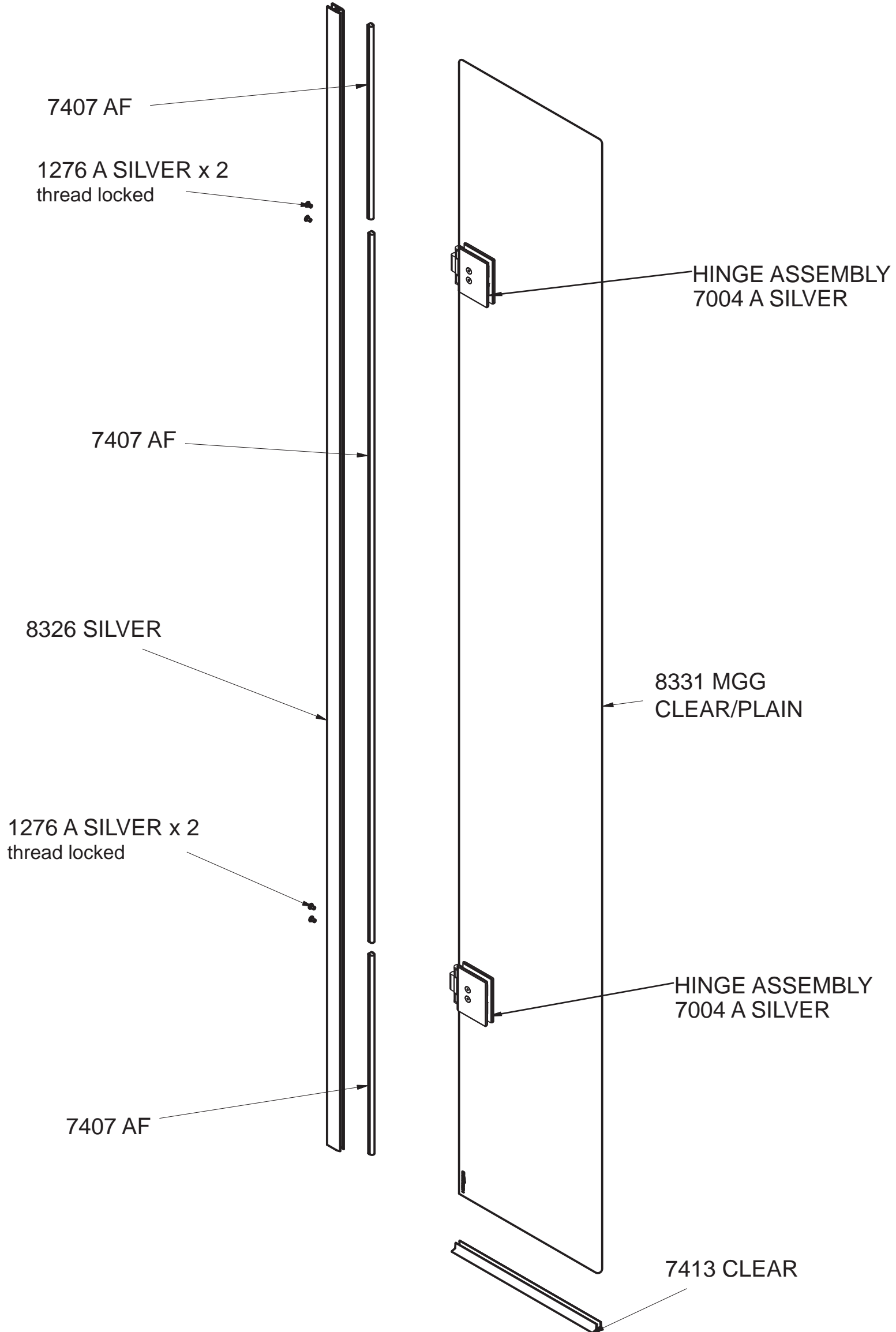
- a.** Apply a thin bead of silicon sealant on the outside, along the bottom edge of the wall mount and Fixed Panel glass (if not already fitted).
- b.** Continue the sealant around the base of the vertical hinge seal and insert a small bead into the end of the vertical hinge seal hollow bubble.
- c.** Apply a small spot of silicon sealant at both ends of the horizontal seal between the bottom edge of the glass panel and seal. Leave the Hinge Panel in the closed position and allow 24 hrs for the silicon to cure.

PARTS LIST

* COLOUR VARIANT ON PARTS

MAIN PACK

PARTS LIST			
ITEM	DESCRIPTION	PART No	QTY
1	300mm HORIZONTAL SEAL	7413 CLEAR	1
*2	RETURN PANEL HINGE FRAME	8326 SILVER	1
3	ASP HINGE PANEL	8331 MGG CLEAR/PLAIN	1
*4	HINGE ASSEMBLY	7004 A SILVER	1
5	VERTICAL SEAL	7407 AF	1
6	BUTTON HEAD M4X8	1276 A SILVER	4



MAINTENANCE

Matki Glass Guard Easy Clean Surface Protection (optional) and General Cleaning Guide

Cleaning Instructions

Matki Glass Guard allows water to form minute beads which easily trickle off the surface of the glass. This makes the glass easier to clean - the glass does not need to be cleaned as frequently, but it does require occasional maintenance. As less cleaning is required the use of detergents can be minimised thus helping to protect the environment. The lifespan of the Matki Glass Guard is dependant on the frequency of use of the shower and the degree of water hardness.

The combination of alkaline materials and humidity affects glass in an extremely aggressive way. Do not use bleach, alkaline, acid-based or aggressive and abrasive glass cleaners, detergents or household cleaning products on the glass or frames.

We recommend that glass is washed down with clean water and a soft clean cloth or sponge and dried off with a microfibre cloth.

The special coating is only present on the inside of the glass.

Matki Glass Guard is guaranteed for 2 years provided that the guidelines and cleaning instructions are followed.

Aluminium and Chrome parts should be cleaned with a mild non scratch household cleaner and a soft cloth or sponge.

Do not use acidic-based descaler products or products which are unsuitable for cleaning enamelled surfaces, including abrasive cleaners or cleaners containing bleach or solvents, as the products will effect the anodised framework. Under no circumstances use cleaners with a pH level exceeding 8.

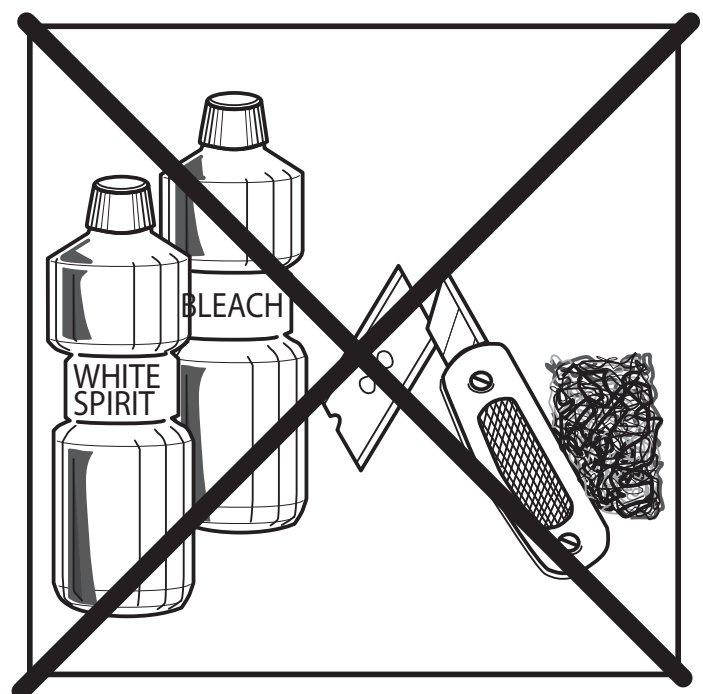
Matki does not recommend the use of 'Leave-on' shower cleaners on Matki Glass Guard Products.

Water Softeners and Glass Guard - Certain types of water softeners increase the alkalinity of the water due to a carry-over of Chloride during re-generation which can cause aggressive water spots on both untreated and Glass Guarded glass. If using a water softener we recommend a two-cylinder machine with automatic re-generation instead of a timer. If a single-cylinder water softener with timer is already installed it is recommended that after each shower excess water is removed from the glass with a squeegee or with a micro-fibre cloth.

Annual recommended maintenance - Matki recommend annually lubricating the barrel of the hinge with a lubricating spray such as WD-40 to remove dust build-up and to aid the movement of the hinge.



Wash down with clean warm water and a soft clean cloth or sponge.



Do not use bleach, alkaline or acid-based, aggressive or abrasive cleaning products.

Flash Bathroom Spray or Cif Bathroom Spray can be used on Matki Products. Read manufacturers label before using any cleaning materials.

IMPORTANT

Matki Glass Guard is guaranteed for 2 years. It is essential that the cleaning instructions are followed in order to maintain the hydrophobic properties of the glass coating. In the event of the failure to comply in any way with these instructions, any warranty or guarantee will be null and void.

MATKI PLC, CHURCHWARD ROAD, YATE, BRISTOL, BS37 5PL
TELEPHONE:01454 328816 (AFTER SALES) FAX:01454 328821 EMAIL: techsupport@matki.co.uk

