

# matki

SHOWERING

WETROOM WALK-IN

TWIN ENTRANCE

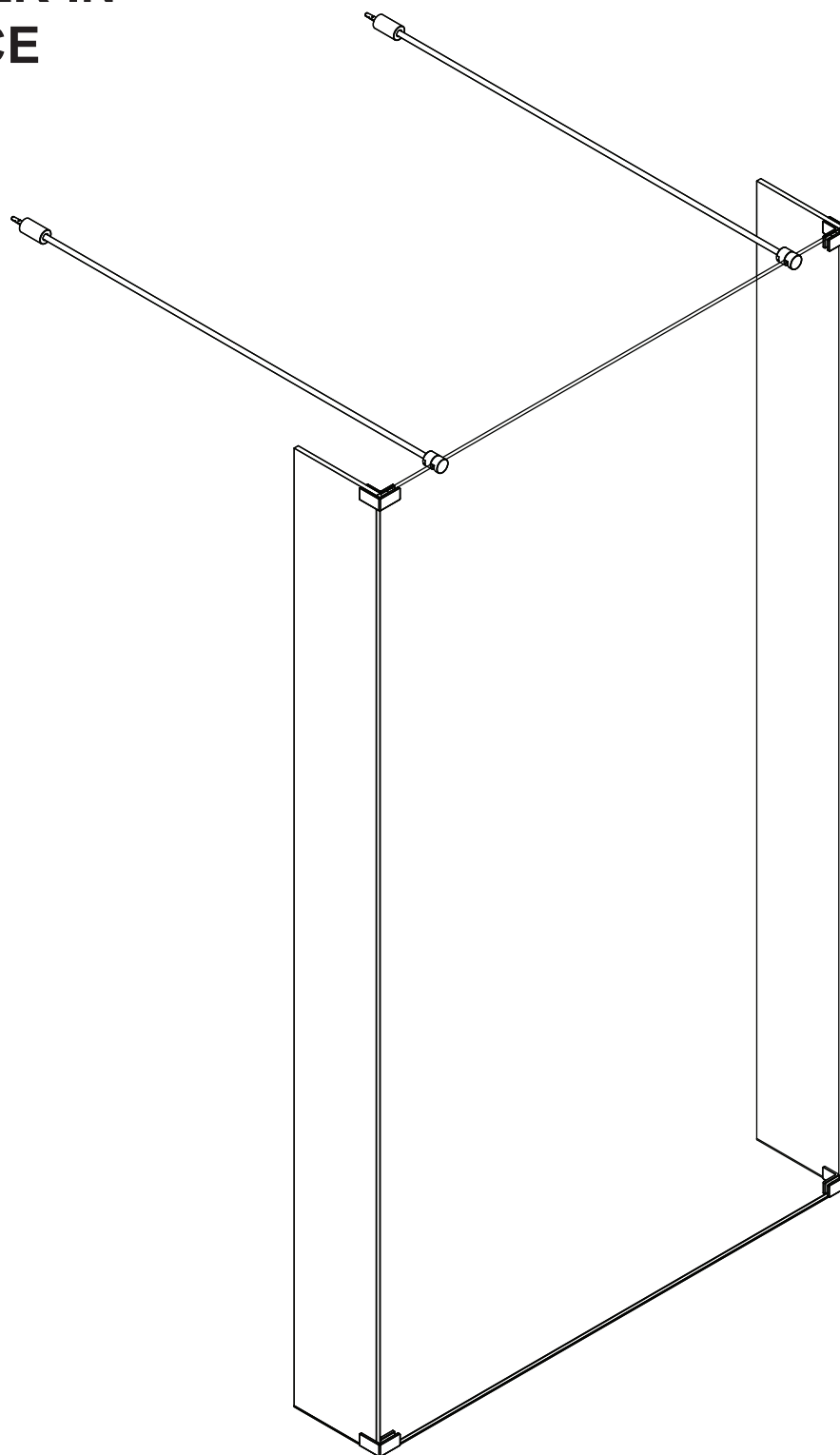
AWT1500

AWT1200

AWT900

INSTALLATION

PARTS LIST



**MATKI PLC, CHURCHWARD ROAD, YATE, BRISTOL, BS37 5PL**  
TELEPHONE:01454 328816 (AFTER SALES) FAX:01454 328821 EMAIL:techsupport@matki.co.uk

## IMPORTANT

Before disposing of carton and/or commencing assembly, please check all the parts to ascertain that none are missing and they are all undamaged. No claim for missing/damaged parts will be accepted once the packing carton has been disposed of and/or assembly has commenced.

In case of query contact your Stockist with details of model number and details of serial number.

Due to the weight of the surround we recommend that two people are available for assembly.

### PREPARATION

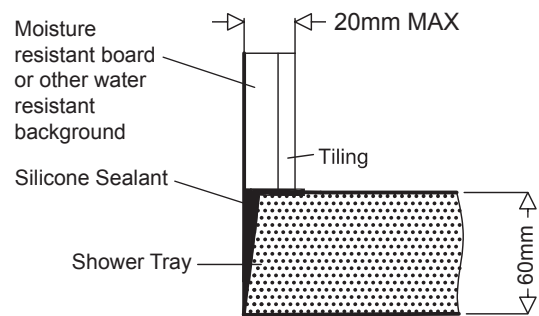
Please read complete installation instructions before fitting. **The surround assembly should be installed onto waterproof wall and floor covering.** The AWT Wetroom Walk-in twin entrance can be positioned on a waterproof floor or along the rim of a shower tray. If fitting onto a Matki Fineline shower tray position the panel 10mm in from the outside edge of the tray to provide a sealing area. Spray from the shower may extend beyond the entrance and we recommend waterproofing of the adjacent area, sloping towards the drain position. Carefully remove panel from carton, do not place glass on hard floor or expose edges to impact.

**CAUTION: TEMPERED GLASS CANNOT BE CUT, POLISHED METAL AND CHROME CAN BE SCRATCHED.**

### TOOLS REQUIRED

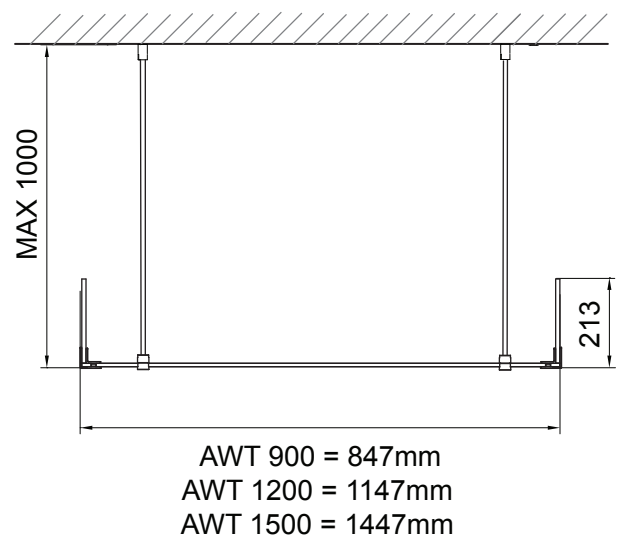
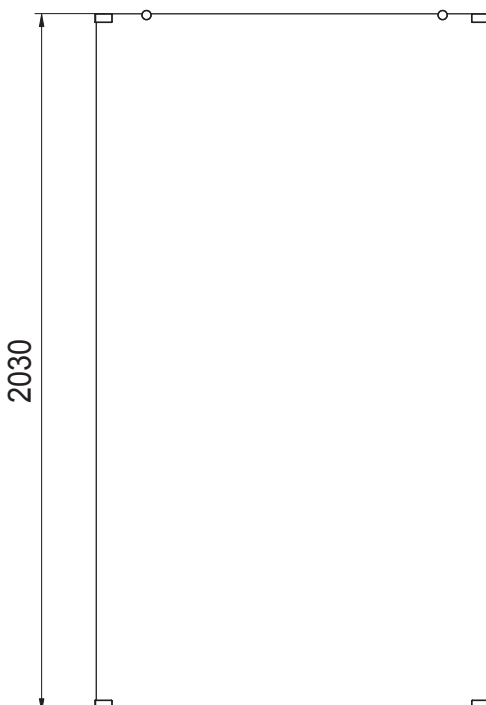
Masonry Drill bit 6mm,  
Tape Measure,  
Screw Drivers,  
Safety Glasses,  
Electric Drill,  
Level,  
Pencil,  
Adjustable Spanners x 2,  
Hacksaw

### TYPICAL INSTALLATION OF MATKI FINELINE SHOWER TRAY



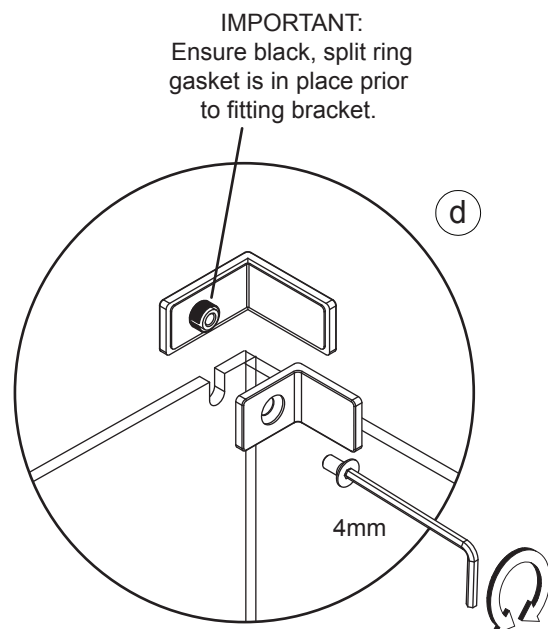
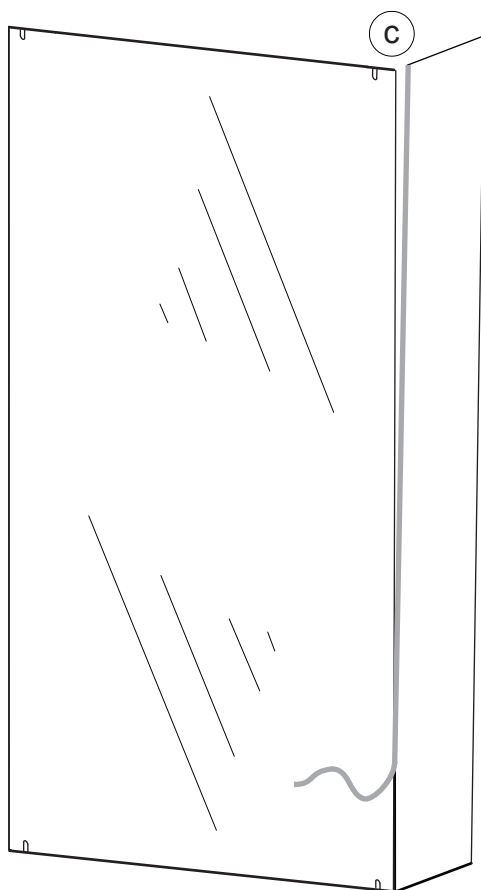
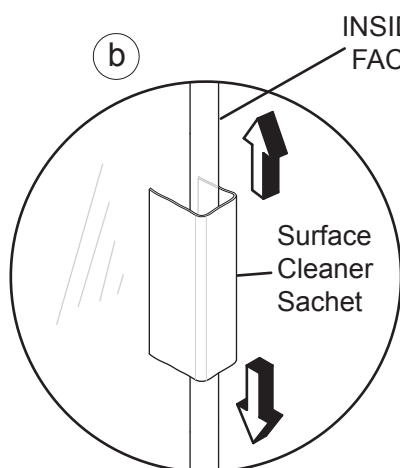
Ensure top of shower tray is level

## DIMENSIONS

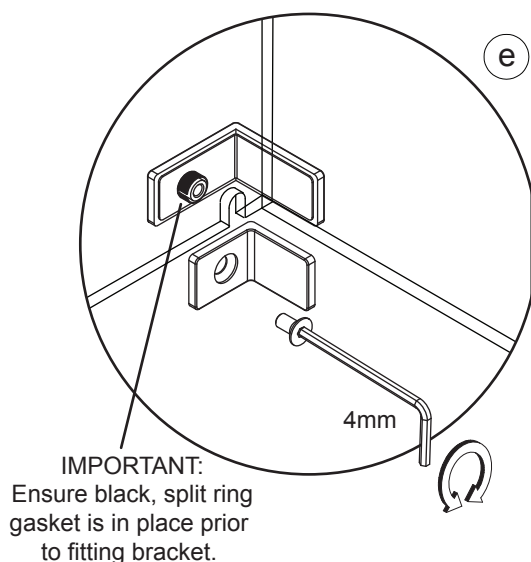
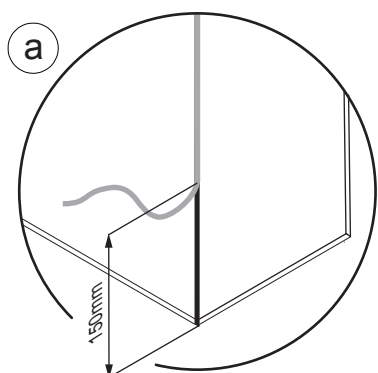


Dimensions are approximate due to nature of materials used

# STAGE 1



**IMPORTANT:**  
For both top and bottom bracket the off-centre nature of the mechanism will feel tight when final fastening. See notes d to e.



## This stage explains the joining of the panels and fitting of the Corner Brackets.

**a.** Before fitting the Side panel, peel back approximately 150mm of the yellow backing film from the Bonding tape that is on the edge of the Side panel. Peel the backing film from the bottom upwards to aid removal of the film once Side panel is in position.

**b.** Before fitting the Side panel, clean the face of the Front panel glass that will be bonded to the Side panel using the surface cleaner sachet supplied in the kit of parts.

**c. Bonding of corner joint between panels:** Carefully move the Side panel away from the Front panel at the top, maximum gap 15mm, to create a 'V' shaped gap between the Side panel and Front panel. Slowly remove the backing film from the removed edge working upwards aligning the glass face and edge. Press the glass together as the backing film is removed, when 300mm from the top remove all the backing film and press firmly together.

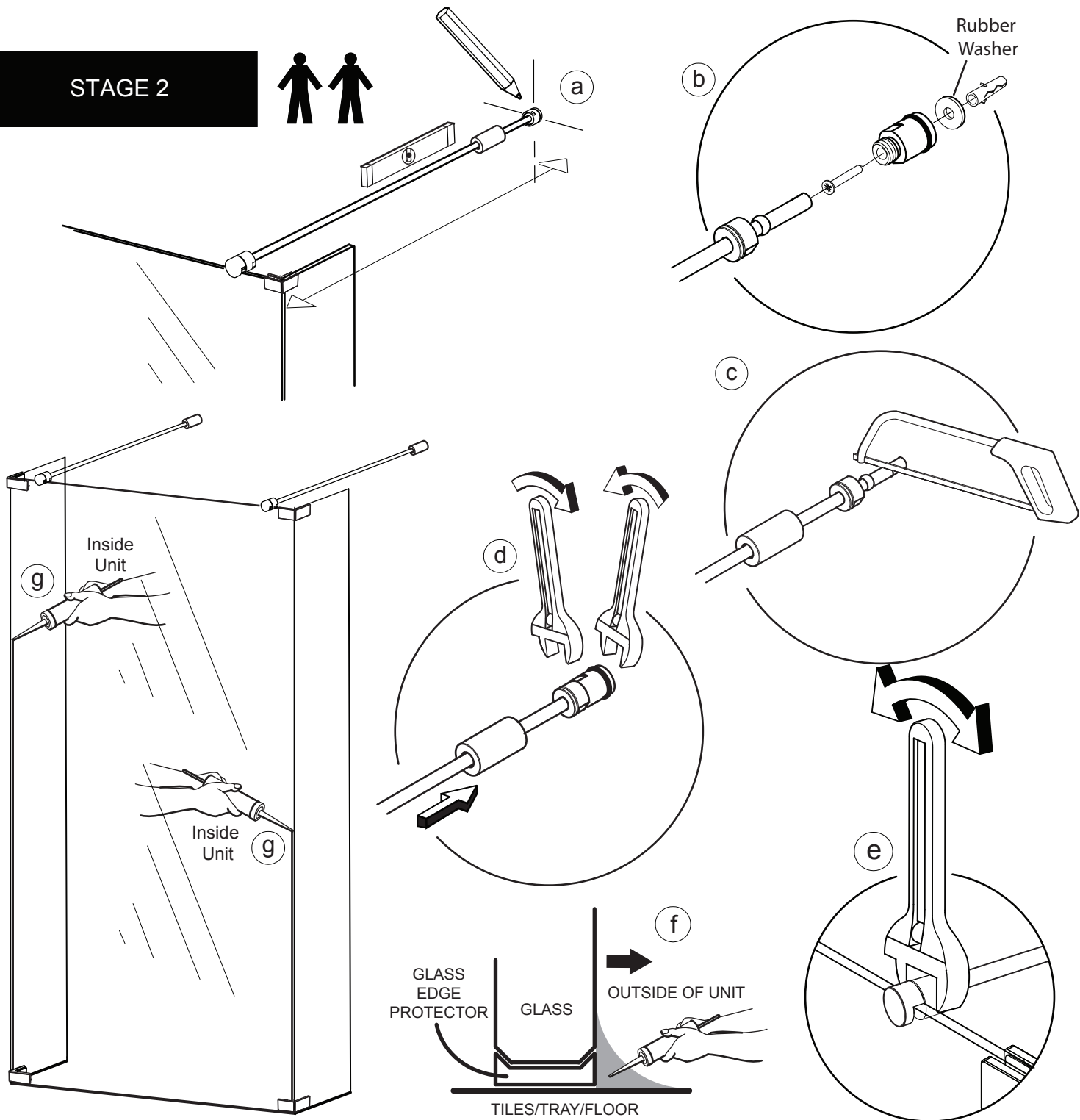
**d. Fitting of the Top Corner Brackets:** Disassemble the bracket and slot over the top of the glass. Retighten the bracket using the 4mm allen key. **Important:** The final fixing of the bracket will seem 'over tight' when aligning the screw - this is the 'off-centre' nature of the mechanism designed into the bracket to eventually tighten the panels together. The compression of the gaskets will allow the bracket to fit together and for the screw head to recess into the countersunk feature in the bracket backplate.

**e. Fitting of the Bottom Corner Brackets:** Disassemble the bracket and place the bracket either side of the glass. Fit back together through the glass using the screw and tighten using the 4mm allen key provided - as above.

**d.** Repeat steps a-e to fit the other side panel.

**Fit the screw cover caps and allow 12 hours for the bond to cure fully before showering.**

## STAGE 2



### This stage explains the fitting of the two Brace bars.

Unscrew the Clamp body until the Glass clamp easily fits over the glass (e). Place the Brace carefully on to the top of the panel with the Compression wall plate back to the wall. If the Brace is too long, accurately measure and mark the length of the Brace bar to be removed (the Brace bar is offset 7mm from the wall inside the Wall plate) (a), unscrew the Compression wall plate and nut to expose the end of the Brace bar and set aside (b), Cut to length (c).

Using a level, plumb and mark the centre of the Wall plate on the wall (a). Drill the fixing hole in the wall and insert the Wall plug. Fix the Wall plate to the wall using the No 8 x 32mm Csk screw ensuring the Rubber washer (from the Kit of Parts) is fitted behind the Wall plate (b). Reassemble the Compression fitting at the wall side (ensure the Wall plate cover is fitted to the Bar at this point). Carefully fit the Brace over the glass panel and screw the Brace nut onto the Wall Plate (d). Using spanners, firmly tighten the Brace nut onto the Wall plate until fully tightened (d). Lightly tighten the Brace nut onto the Clamp body at the glass end of the Brace until the Clamp body is fixed to the glass (e). **Do not over tighten the Clamp over the glass.** Slide the Wall plate cover over the Wall plate assembly (d). It is important to create a water-tight seal between the Panel Glass, Glass Edge Protector (on the bottom edge of each Panel) and the Tiles/Tray/Flooring. Apply a fillet of Silicone that covers these parts (f) along each Glass Panel. Masking tape can be used to achieve a tidy edge to the sealant (remove the masking tape immediately after applying). Finally apply Silicone Sealant all the way up the internal joint between front and side panels - this must be inside the unit (g). Allow the silicon to cure for 24 hours before using the shower.

# MAINTENANCE

We recommend that these instructions are handed to the user with a note of a date of purchase and model details. To order replacements quote: Part Descriptions, Model, Part Number and Colour.

## Matki Glass Guard Easy Clean Surface Protection (optional) and General Cleaning Guide

Matki Glass Guard allows water to form minute beads which easily trickle off the surface of the glass. This makes the glass easier to clean - the glass does not need to be cleaned as frequently, but it does require occasional maintenance. As less cleaning is required the use of detergents can be minimised thus helping to protect the environment. The lifespan of the Matki Glass Guard is dependant on the frequency of use of the shower and the degree of water hardness. The combination of alkaline materials and humidity affects glass in an extremely aggressive way. Do not use bleach, alkaline, acid-based or aggressive and abrasive glass cleaners, detergents or household cleaning products on the glass. We recommend that the glass is washed down with clean water and a soft clean cloth or sponge. The special coating is only present on the inside of the glass.

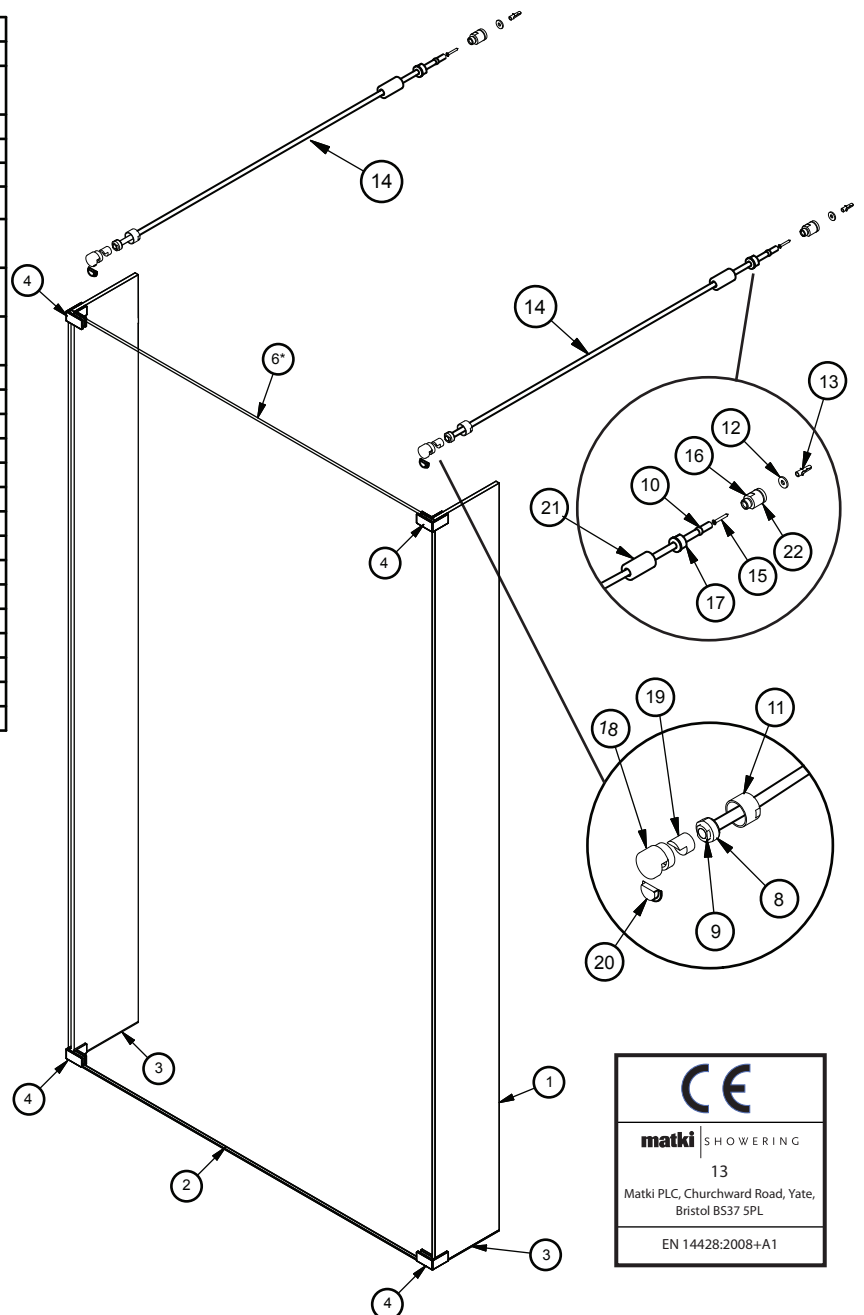
Aluminium and Chrome parts should be cleaned with a mild non scratch household cleaner and a soft cloth or sponge. Do not use acidic-based descaler products or products which are unsuitable for cleaning enamelled surfaces, including abrasive cleaners or cleaners containing bleach or solvents, as the products will effect the anodised framework. Under no circumstances use cleaners with a pH level exceeding 8. Matki does not recommend the use of 'Leave-on' Shower Cleaners on Matki Glass Guard Products Flash Bathroom Spray or Cif Bathroom Spray can be used on Matki Products.

Various specialist cleaning and glass dressing products are available from Ritec International Ltd Tel. 020 8344 8210 or [www.ritec.co.uk](http://www.ritec.co.uk). Matki Plc is not connected with Ritec International Ltd in any way and the contact details are supplied for information only. Read manufacturers label before using any cleaning materials.

### Important - Matki Glass Guard is guaranteed for 2 years provided that the guidelines and cleaning instructions are followed.

It is essential that the cleaning instructions are followed in order to maintain the hydrophobic properties of the glass coating. In the event of the failure to comply in any way with these instructions, any warranty or guarantee will be null and void.

PARTS LIST			
ITEM	DESCRIPTION	PART No.	QTY
1	ENTRANCE PANEL GLASS	4009 M CLEAR/PLAIN	2
2	8mm EDGE PROTECTOR	6087 CLEAR	1
3	10mm EDGE PROTECTOR (250mm)	6091 CLEAR	2
4	CORNER BRACKET	6994 AF	4
5	SILICONE SEALANT	1967 AF	1
6*	FRONT PANEL GLASS (MODEL 900)	9030M CLEAR/PLAIN	1
6*	FRONT PANEL GLASS (MODEL 1200)	9031 M CLEAR/PLAIN	1
6*	FRONT PANEL GLASS (MODEL 1500)	9032 M CLEAR/PLAIN	1
8	WALKIN BRACE COMPRESSION A	5424 A SILVER	2
9	WALKIN BRACE COMPRESSION B	5425 A SILVER	2
10	COMPRESSION RING ID10mm	5430 AF	4
11	BRACE NUT	6202 A SILVER	2
12	NEOPRENE WASHER O.D19.05	1540 AF	2
13	WALL PLUG	1818 AF	2
14	ENTRANCE BRACE BAR	5421 A SILVER	2
15	CSK Self-Tapping Screw	1478 A SILVER	2
16	WALL BRACE COMPRESSION B	6233 A SILVER	2
17	WALL BRACE COMPRESSION A	6234 A SILVER	2
18	CLAMP BODY	6213 AF	2
19	CLAMP BODY GASKET	7509 BLACK	2
20	CLAMP BODY WASHER 2	7510 BLACK	2
21	WALL COMPRESSION SLEEVE	6235 A SILVER	2
22	BS4518 O-Ring	0220-15	2



Wash down with clean warm water and a soft clean cloth or sponge.



Do not use bleach, alkaline or acid-based, aggressive or abrasive cleaning products.

