

matki | S H O W E R I N G

**STRAIGHT PANEL
TWIN ENTRANCE**

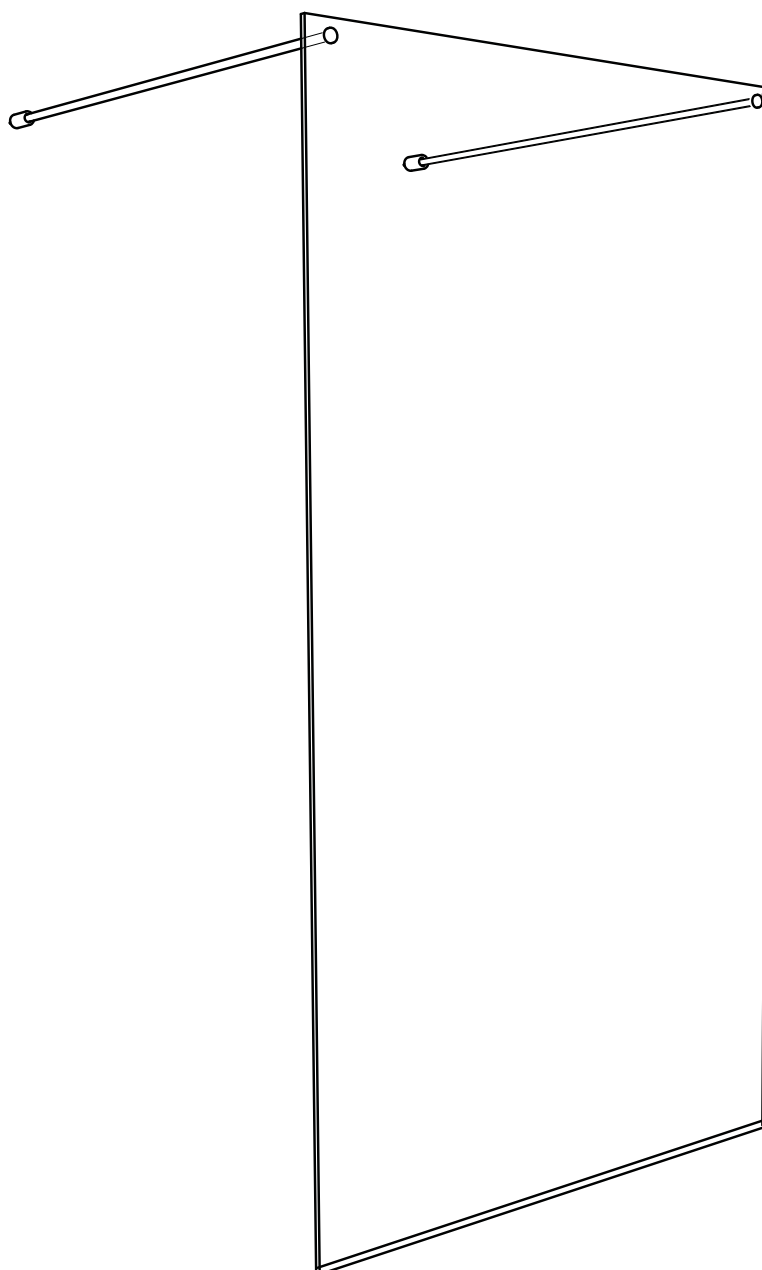
AST1000

AST1200

AST1500

INSTALLATION

PARTS LIST



MATKI PLC, CHURCHWARD ROAD, YATE, BRISTOL, BS37 5PL
TELEPHONE:01454 328816 (AFTER SALES) FAX:01454 328821 EMAIL: techsupport@matki.co.uk

IMPORTANT

TOOLS REQUIRED

Masonry Drill bit 6mm, Tape Measure, Screw Drivers, Safety Glasses, Electric Drill, Level, Pencil, Adjustable Spanners x 2

Before disposing of carton and/or commencing assembly, please check all the parts to ascertain that none are missing and they are all undamaged. No claim for missing/damaged parts will be accepted once the packing carton has been disposed of and/or assembly has commenced.

In case of query contact your Stockist with details of model number and details of serial number.

Due to the weight of the panel we recommend that two people are available for assembly.

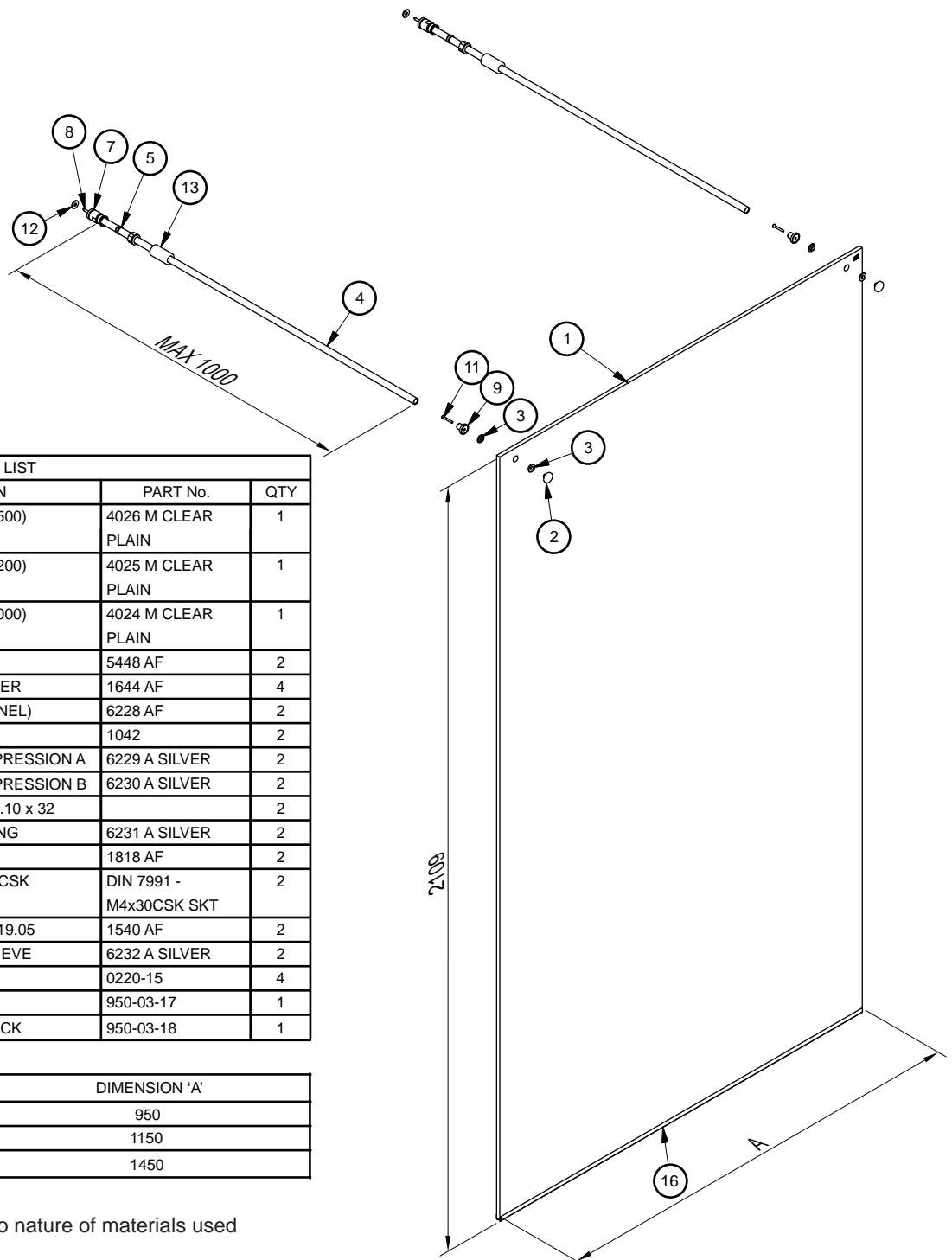
PREPARATION

Please read complete installation instructions before fitting. **The panel assembly should be installed onto waterproof floor covering.** The panel can be positioned on a waterproof floor or along the rim of a Shower Tray. Spray from the Shower may extend beyond the entrances and we recommend waterproofing of the adjacent area, sloping towards the drain position.

Carefully remove panel from carton, do not place glass on hard floor or expose edges to impact.

CAUTION: TEMPERED GLASS CANNOT BE CUT, POLISHED METAL AND CHROME CAN BE SCRATCHED.

DIMENSIONS AND PARTS LIST



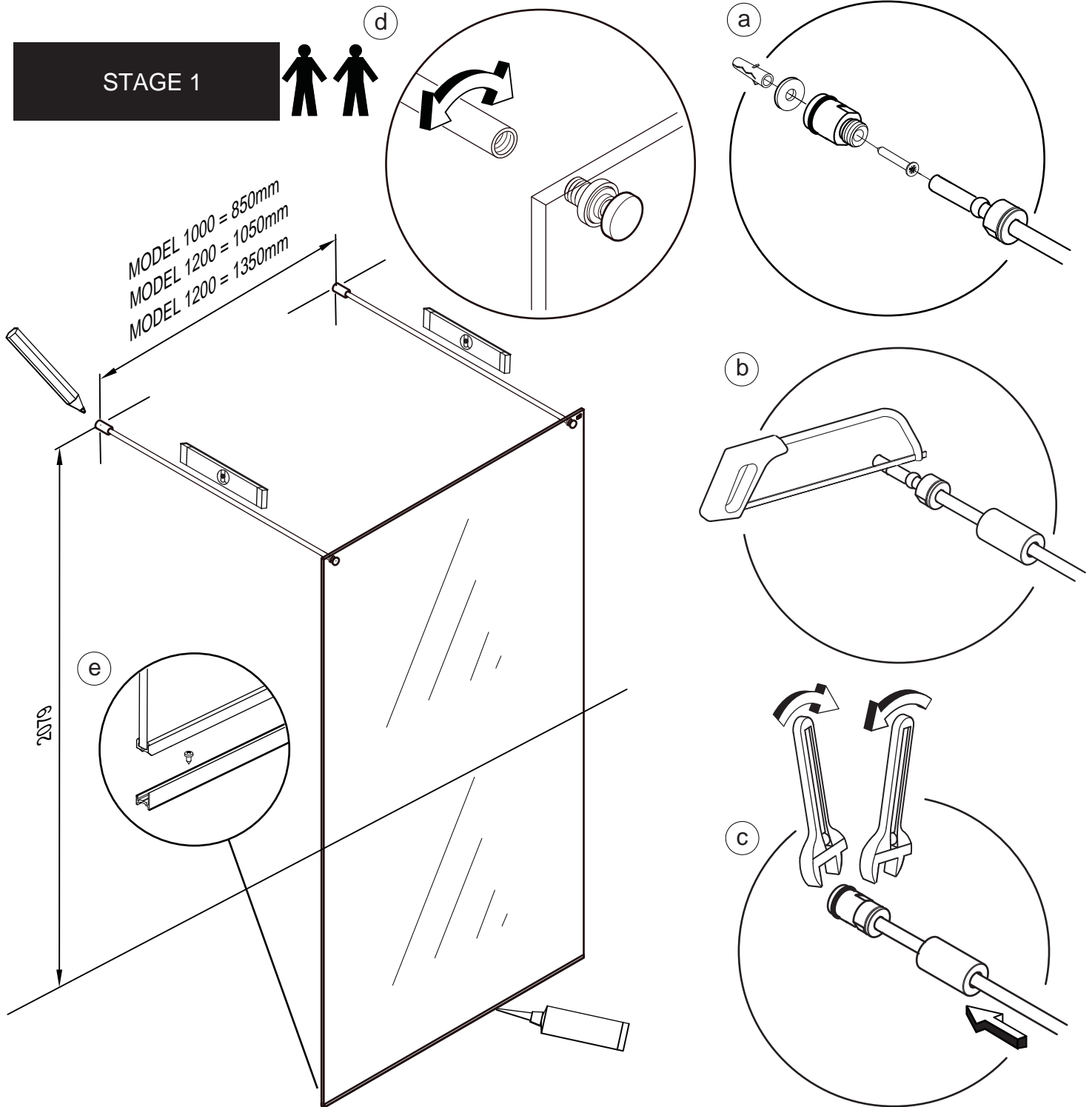
PARTS LIST

ITEM	DESCRIPTION	PART No.	QTY
1	10mm FREE STANDING (1500)	4026 M CLEAR PLAIN	1
	10mm FREE STANDING (1200)	4025 M CLEAR PLAIN	1
	10mm FREE STANDING (1000)	4024 M CLEAR PLAIN	1
2	HEADRAIL END CAP	5448 AF	2
3	NYLON SHOULDER WASHER	1644 AF	4
4	15mm BRACE (SINGLE PANEL)	6228 AF	2
5	15mm BRASS OLIVE	1042	2
6	15mm WALL BRACE COMPRESSION A	6229 A SILVER	2
7	15MM WALL BRACE COMPRESSION B	6230 A SILVER	2
8	CSK SELF TAP SCREW No.10 x 32		2
9	10MM GLASS BRACE FIXING	6231 A SILVER	2
10	WALL PLUG	1818 AF	2
11	CSK SKT SCREW M4 x 30 CSK	DIN 7991 - M4x30CSK SKT	2
12	NEOPRENE WASHER O.D19.05	1540 AF	2
13	WALL COMPRESSION SLEEVE	6232 A SILVER	2
14	BS4518 O-Ring	0220-15	4
15	GLASS BOTTOM TRACK	950-03-17	1
16	LOWER HORIZONTAL TRACK	950-03-18	1

MODEL	DIMENSION 'A'
AST1000	950
AST1200	1150
AST1500	1450

Dimensions are approximate due to nature of materials used

STAGE 1



We recommend two people are available. Using a level, plumb and mark the centre of the Wall plate on the wall. As a guide measure 2079mm up from the finished floor surface and see dimension above for the dimension between centres relative to Model.

To determine the length of the Brace required, carefully measure the distance from the finished wall surface to position of the inside the Glass. If the Brace is too long, accurately measure and mark the length of the Brace bar to be removed (the Brace bar is offset 7mm from the wall inside the Wall plate) **(Do not cut the Threaded end)** (a), unscrew the Compression wall plate and nut to expose the end of the Brace bar and set aside (a) Cut to length (b).

Drill the fixing hole in the wall and insert the Wall plug. Fix the Wall plate to the wall using the No 10 x 32mm Csk screw ensuring the Rubber washer (Kit of Parts) is fitted behind the Wall plate (a).

Measure and mark the position of the Lower Horizontal Track (As a guide when fitted the inside face of the Track is 3mm from the inside face of the glass). The Lower Horizontal Track can be fixed in position if required using No.8 Pan Head Screws (not supplied)(e). Drill a 3.4mm clearance hole in the track and place a suitable Wall Plug (not supplied) into the Finished floor surface. **Important: Do not fix through a waterproof floor membrane.** Run a bead of silicon under the length of the track in the recess provided before fitting. Carefully lower the glass panel (Horizontal track at bottom) down onto the Lower Horizontal track (e). Reassemble the Compression fitting at the wall side (ensure the Wall plate cover is fitted to the Bar at this point). Screw the threaded end of the Brace Bar onto the Glass fitting at the glass side (d). Using spanners, firmly tighten the Brace nut onto the Wall plate until fully tightened (d). Tighten the Brace Bar onto the the Glass fitting at the glass end (d). Slide the Wall plate cover over the Wall plate assembly (c). Allow silicon to cure for 24 hours before using the shower.

MAINTENANCE

Matki Glass Guard Easy Clean Surface Protection (optional) and General Cleaning Guide

Cleaning Instructions

Matki Glass Guard allows water to form minute beads which easily trickle off the surface of the glass. This makes the glass easier to clean - the glass does not need to be cleaned as frequently, but it does require occasional maintenance.

As less cleaning is required the use of detergents can be minimised thus helping to protect the environment. The lifespan of the Matki Glass Guard is dependant on the frequency of use of the shower and the degree of water hardness.

The combination of alkaline materials and humidity affects glass in an extremely aggressive way. Do not use bleach, alkaline, acid-based or aggressive and abrasive glass cleaners, detergents or household cleaning products on the glass.

We recommend that the glass is washed down with clean water and a soft clean cloth or sponge.

The special coating is only present on the inside of the glass.

Matki Glass Guard is guaranteed for 2 years provided that the guidelines and cleaning instructions are followed.

Aluminium and Chrome parts should be cleaned with a mild non scratch household cleaner and a soft cloth or sponge.

Do not use acidic-based descaler products or products which are unsuitable for cleaning enamelled surfaces, including abrasive cleaners or cleaners containing bleach or solvents, as the products will effect the anodised framework. Under no circumstances use cleaners with a pH level exceeding 8.

Matki does not recommend the use of 'Leave-on' Shower Cleaners on Matki Glass Guard Products.



Wash down with clean warm water and a soft clean cloth or sponge and dry after each shower.



Do not use bleach, alkaline or acid-based, aggressive or abrasive cleaning products.

Flash Bathroom Spray or Cif Bathroom Spray can be used on Matki Products.

Various specialist cleaning and glass dressing products are available from Ritec International Ltd Tel. 020 8344 8210 or www.ritec.co.uk.

Matki Plc is not connected with Ritec International Ltd in any way and the contact details are supplied for information only. Read manufacturers label before using any cleaning materials.

IMPORTANT

Matki Glass Guard is guaranteed for 2 years. It is essential that the cleaning instructions are followed in order to maintain the hydrophobic properties of the glass coating. In the event of the failure to comply in any way with these instructions, any warranty or guarantee will be null and void.