

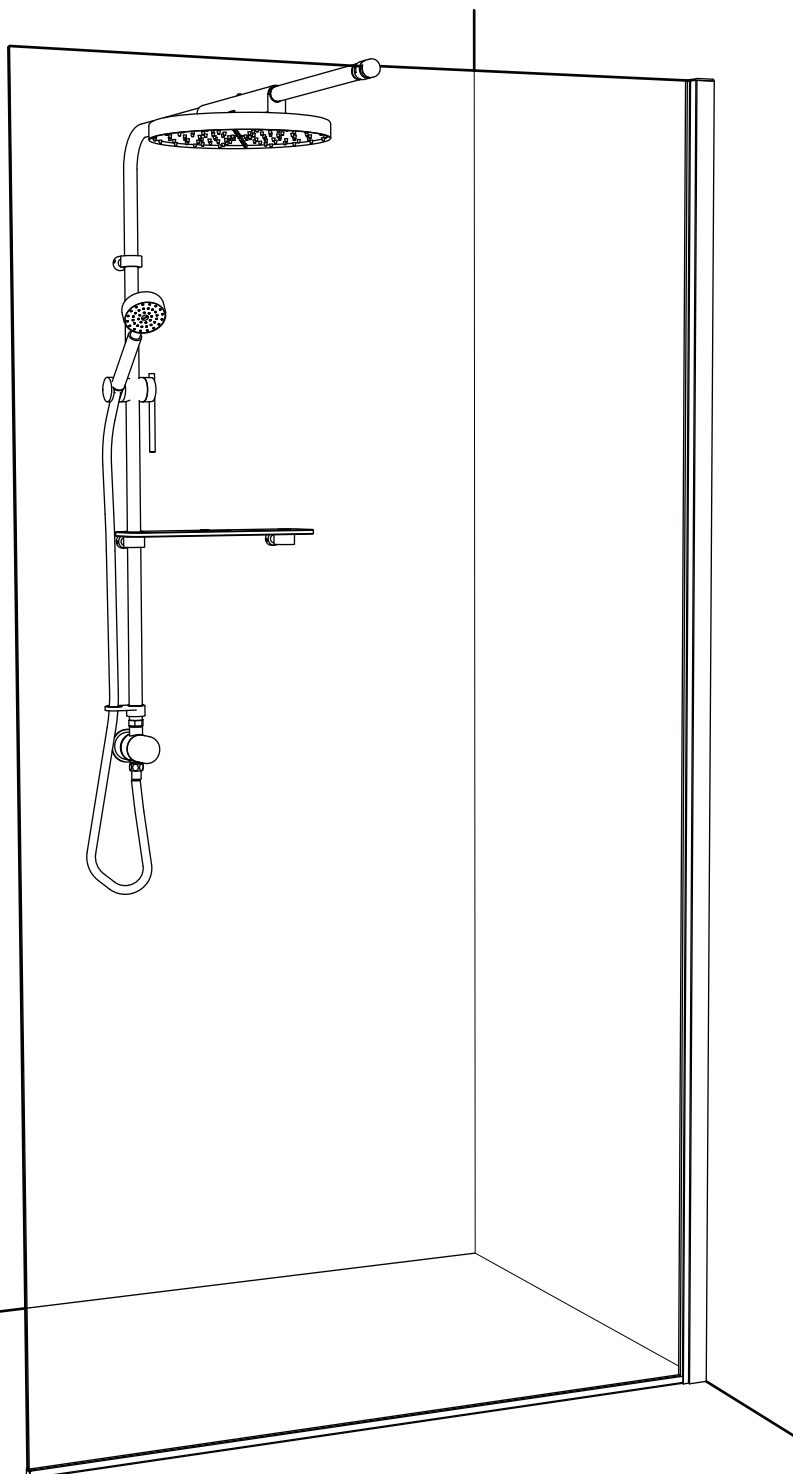
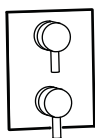
matki

SHOWERING

AS 850/1000/1100/
1200/1400/1500
STRAIGHT

INSTALLATION

PARTS LIST



MATKI PLC, CHURCHWARD ROAD, YATE, BRISTOL, BS37 5PL
TELEPHONE:01454 328816 (AFTER SALES) FAX:01454 328821 EMAIL:techsupport@matki.co.uk

IMPORTANT

Before disposing of carton and/or commencing assembly, please check all the parts to ascertain that none are missing and they are all undamaged. No claim for missing/damaged parts will be accepted once the packing carton has been disposed of and/or assembly has commenced.

In case of query contact your Stockist with details of model number and details of serial number.

Due to the weight of the surround we recommend that two people are available for assembly.

PREPARATION

Please read complete installation instructions before fitting. **The surround assembly should be installed onto waterproof wall and floor covering.** The Absolute Straight Panel can be positioned on a waterproof floor or along the rim of a Shower Tray. If Model AS1200 Panel is fitted with our Model SA1290 shower tray, position the panel 10mm in from the outside edge of the tray to provide a sealing area. Spray from the Shower may extend beyond the entrance and we recommend waterproofing of the adjacent area, sloping towards the drain position.

Carefully remove surround from carton, do not place glass on hard floor or expose edges to impact.

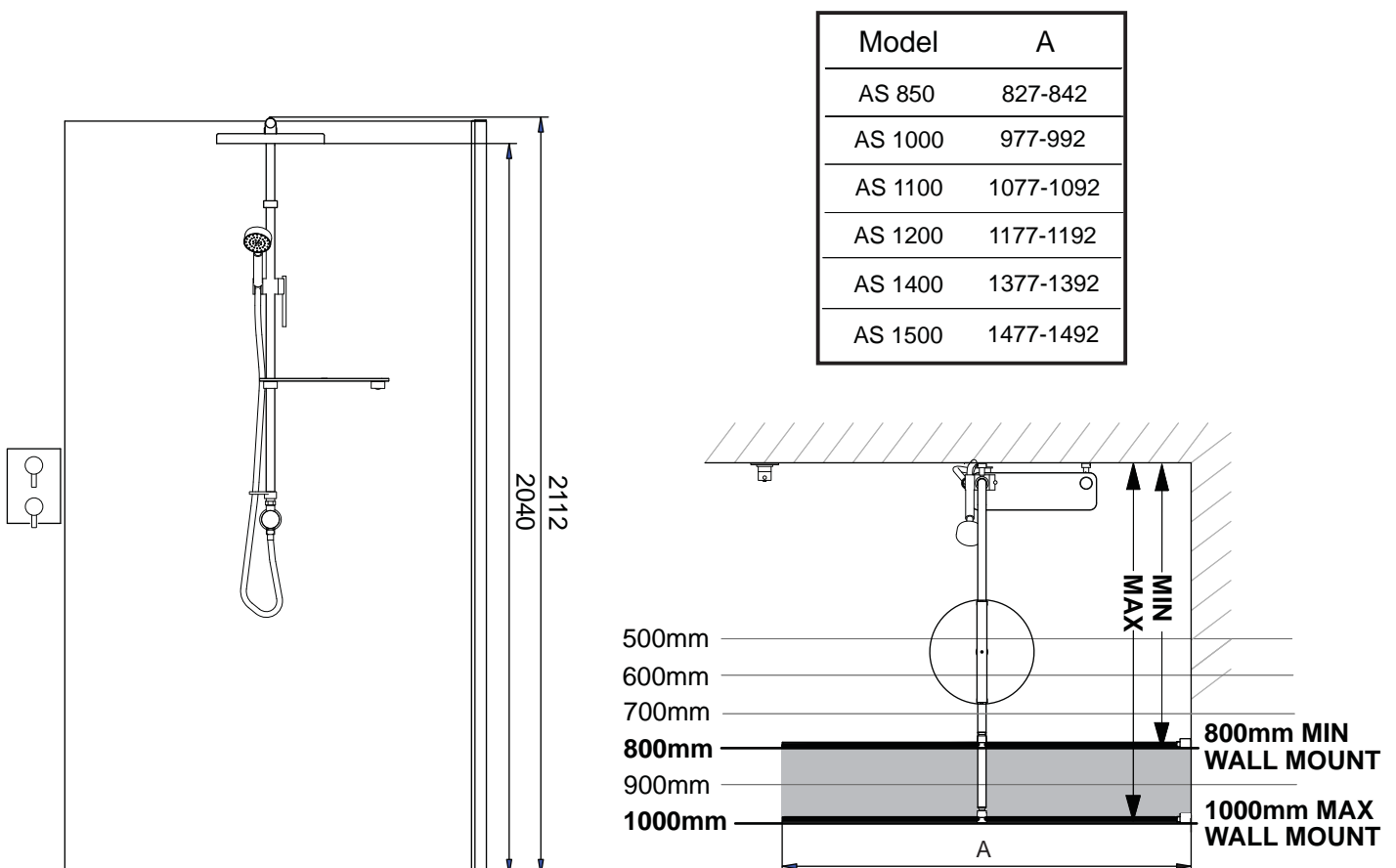
CAUTION: TEMPERED GLASS CANNOT BE CUT, POLISHED METAL AND CHROME CAN BE SCRATCHED.

TOOLS REQUIRED

Masonry Drill bit 6mm, Tape Measure, Screw Drivers, Safety Glasses, Electric Drill, Level, Pencil, Adjustable Spanners x 2

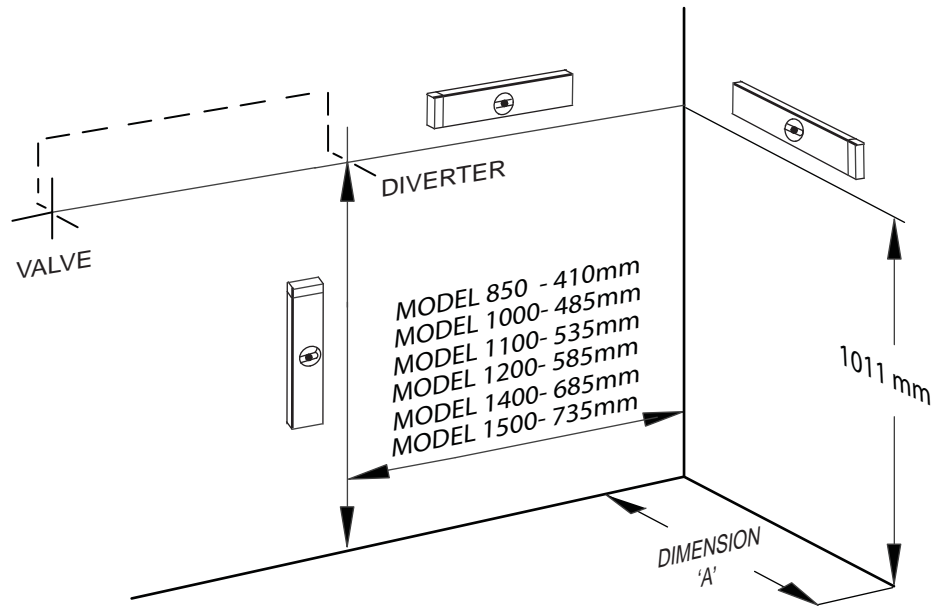
DIMENSIONS

Please see below for a guide to the enclosure sizes that can be achieved. The diagrams show a RH Straight Corner installation. **Please note the minimum and maximum Headrail and Wall Mount extents.**



Dimensions are approximate due to nature of materials used. All dimensions are in millimetres.

STAGE 1

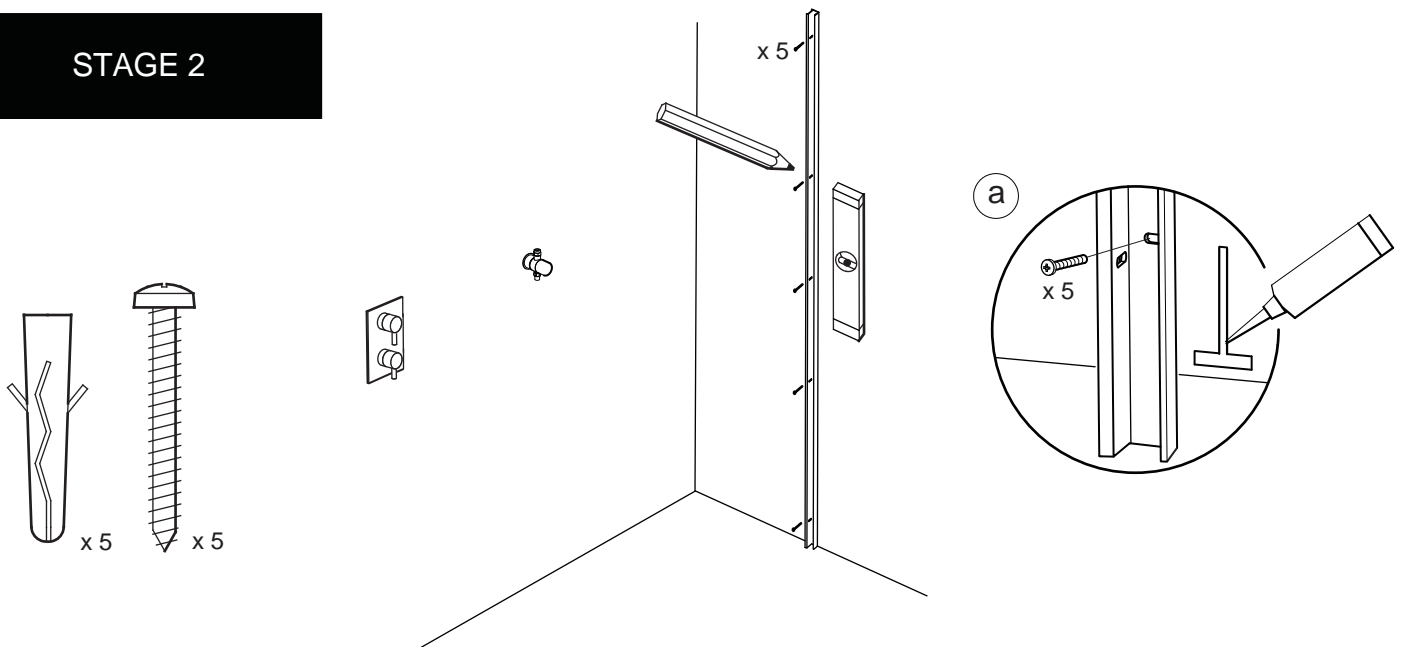


This stage is describing the positioning of the Diverter.

The position for the centre of diverter at the base of the overhead rail is measured from the finished floor surface. Measure (as a guide) the horizontal dimension above depending on Model size, horizontally from the bottom wall edge and using a level plumb 1011mm up vertically from the finished floor surface. **Please ensure that the drainage fall on the finished floor surface is taken into account when measuring dimension 1011mm, as a guide measure from the location of fixed panel (see Dimension 'A' on previous page) and level around the wall.**

To line up the Shower Mixer On /Off control lever with the centre of the Diverter, the the Shower mixer On /Off control lever should be positioned 1011mm vertically from the finished floor surface. Alternatively the Shower Mixer can be positioned where convenient. Please see separate instructions for Diverter and Shower mixer installation.

STAGE 2



This stage is describing the Wall Mount installation.

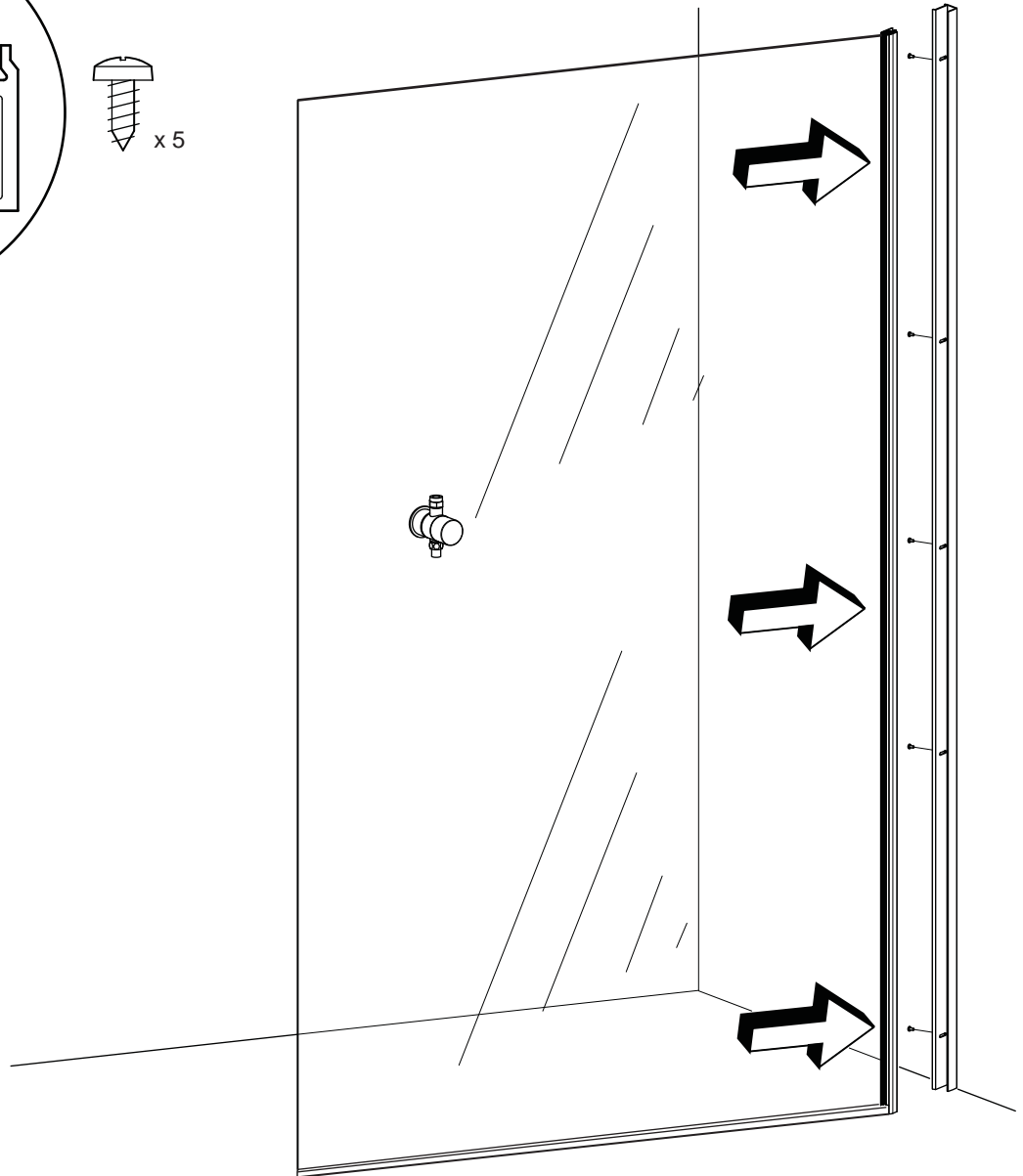
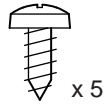
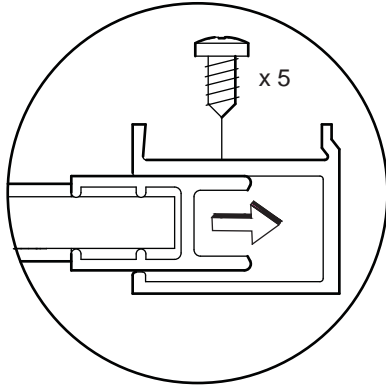
Position the Wall Mount on to the wall in the desired position, (Please see Dimensions on previous page. **Minimum distance to outside of Wall Mount is 800mm, maximum distance is 1000mm.** Position the Wall Mount so that the adjustment slots on the side of the wall mount are facing inside the product.

Plumb the Wall Mount for upright and mark the fixing holes on the wall in the centre of the slots in the back face of the Wall Mount. Drill the fixing holes in the wall and insert the wall plugs. Clean the area. Apply silicon sealant to the area behind the Wall Mount between the floor or tray if fitted and the tiles and 100mm up the wall, central to the width of the Wall Mount (2a). Fit the Wall Mount with the 5 No. 8 x 32mm Pan head screws (2a) (Kit of Parts).

STAGE 3



a



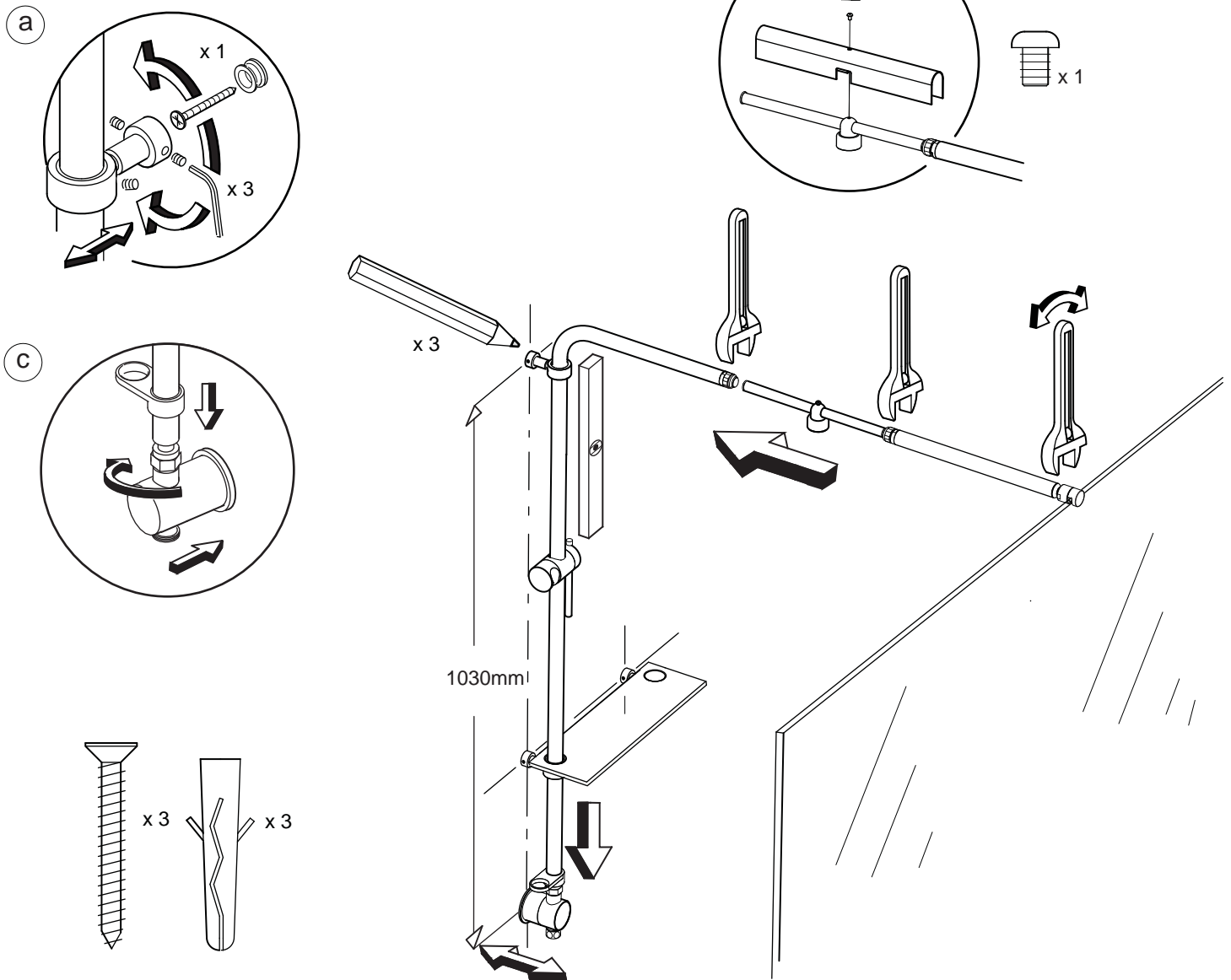
This stage is describing the fitting of the glass panel.

We recommend two people are available for this stage.

Carefully lower the glass panel (horizontal track at bottom) down into the Wall Mount and onto the floor (3a).

Secure the glass panel to the Wall Mount using the 5 No.8 x 9.5mm Pan head screws (3a).

STAGE 4



This stage is describing the fitting of the Overhead Support Tube.

Using a level, plumb and mark the position for the top Wall Bracket (as a guide) 1030mm up from the centre of the Diverter. Drill the fixing hole in the wall and insert the Wall Plug. Secure the Wall Plate to the wall using the No.8 x 32mm Csk Head screw (4a) Fit the Glass Shelf. (See separate instructions part number 1091 AF)

Important: Please check that the the lower wall bracket fixing does not interfere with the plumbing of the Diverter inlets from the Shower Mixer adjust the dimension as required.

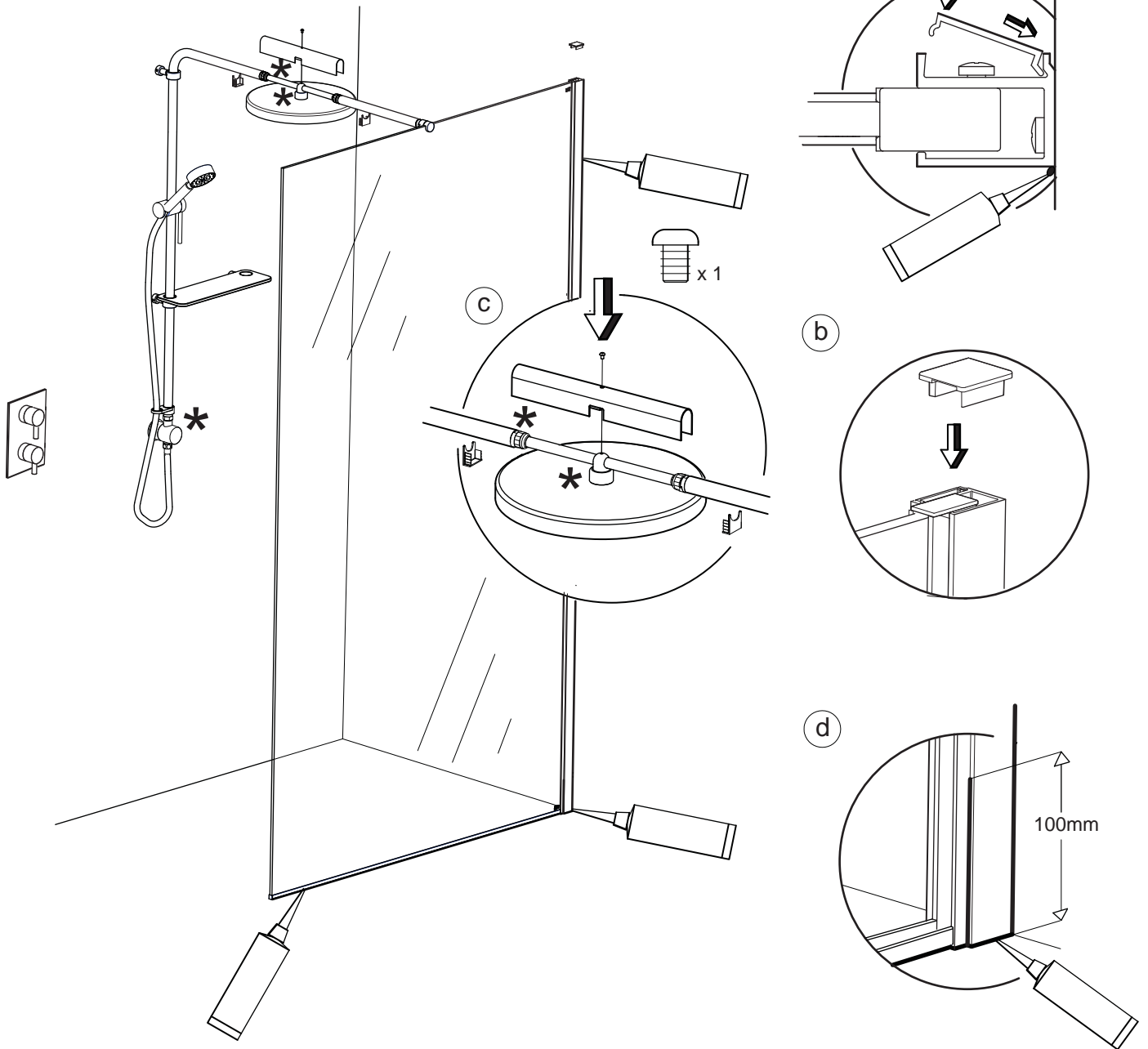
Remove the Cowling from the Telescopic tube using the M4 x 6mm Button head screw and set aside (4b). Assemble the Telescopic Tube in to the Overhead Support Tube.

Carefully fit the Overhead Support Tube onto the glass panel and into the Diverter ensuring the Handset Flex Loop is fitted on the support tube below the Shelf (4c) Adjust the Wall/ Shelf Brackets to the Wall plates and secure using the M5 x 5mm Socket Set screws (4a). Gently tighten the clamp around the top of the curved glass panel (4d).

Check the Overhead Support Tube for level. Centre the Telescopic tube between the front and back sections of the Overhead Support tube and tighten the joint between the front section of the Support Tube and the Telescopic tube to fix in place.

Tighten the compression joints where the Overhead Support Tube meets the Diverter (4c) and where it meets the Telescopic Tube. Screw on the Overhead Shower Head and tighten to create a compression joint.

STAGE 5



This stage is describing the testing of the compressions joints, fitting of the Caps, Covers and Silicon sealant.

Fit the Handset Flex to the bottom outlet of the diverter and pass the Flex through the Flex Loop then fit the Handset. Test the compression joints (marked with a * on main drawing).

Fit the Wall Mount Cover (5a). Fit the Wall Mount Top Cap (5b)

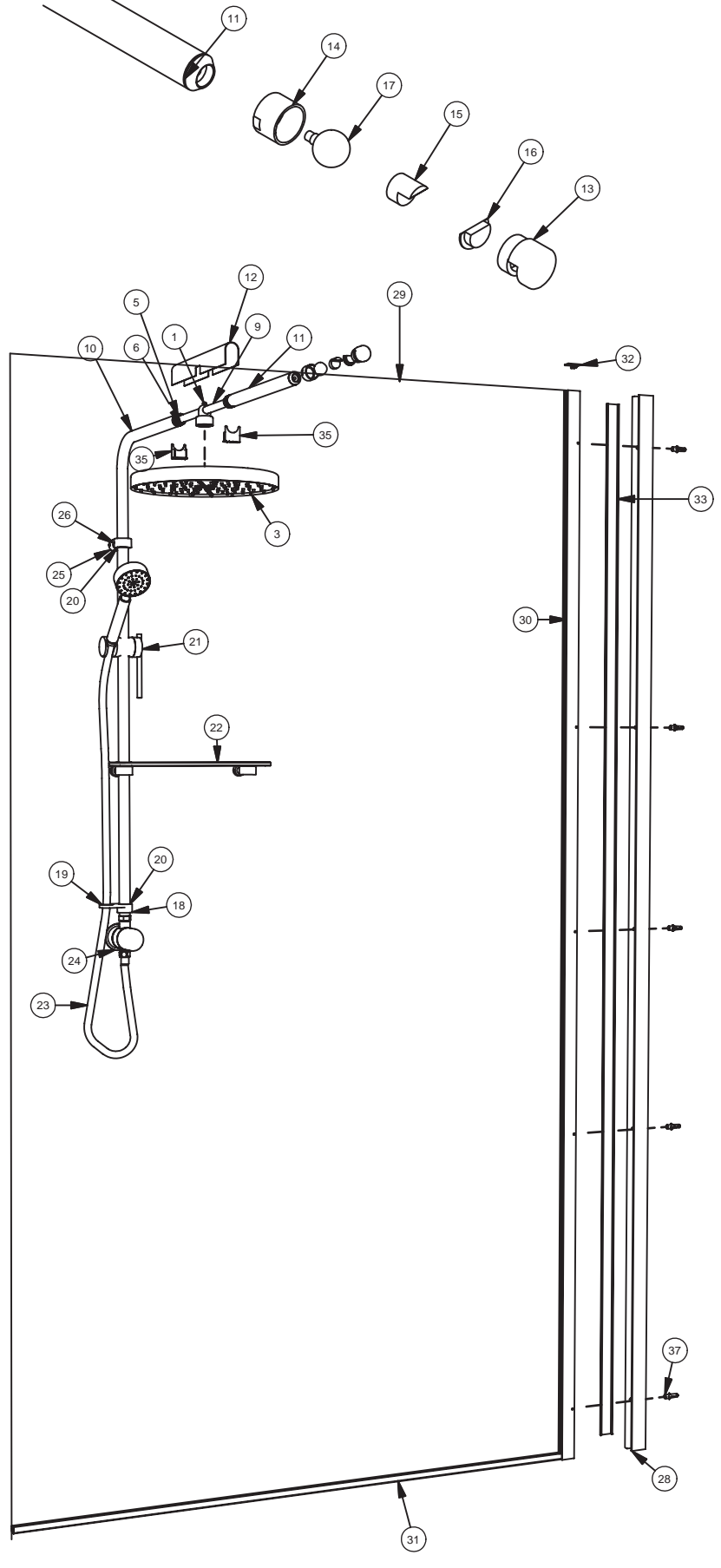
Fit the Cowling using the M4 x 6mm Button Head Screw (5c). Fit the Cowling end caps (5c).

Apply a thin bead of silicon along all outside joints. Seal the joint on the outside between the Wall Mount and the Vertical Frame and 100mm up (5d) continue the silicon along the bottom edge of the Wall Mount and all the way up the outside of the extrusion between the Wall Mount and the tiles (5a,d). Apply a bead of silicon on the outside of Glass Horizontal frame in the recess provided and all the way along (5d). Masking tape can be used to achieve a tidy edge to the sealant. Remove the masking tape immediately and allow the silicon to cure for 24 hours before using the shower.

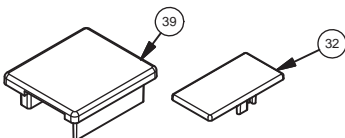
PARTS LIST

PARTS LIST AS 1000/1200				
ITEM	DESCRIPTION	PART No.	QTY	LENGTH
1	M4 X 6mm SOCKET BUTTON HEAD	1518 A SILVER	1	6 mm
2	ABSOLUTE HAND SHOWER	2145S	1	
3	SHOWERHEAD 300	SO29553	1	
4	No8 PAN HEAD SCREW	1420 A SILVER	5	9.5 mm
5	COMPRESSION RING 15mm	*	2	
6	1/2" COMPRESSION RING NUT	*	2	
7	M5 SOCKET SETSCREW	1502 A SILVER	3	6 mm
8	ABSOLUTE THERMO VALVE	2110	1	
9	TELESCOPIC TUBE	6209 A SILVER	1	
10	HEADRAIL BACK	6207 A SILVER	1	
11	HEADRAIL FRONT	6208 A SILVER	1	
12	COWLING	6204 A SILVER	1	
13	CLAMP BODY	6213 AF	1	
14	BRACE NUT	6202 A SILVER	1	
15	CLAMP BODY GASKET	7509 BLACK	1	
16	CLAMP BODY WASHER 2	7510 BLACK	1	
17	BALL JOINT	6212 AF	1	
18	FLEX RETAINING LOOP	3452 A SILVER	1	
19	RETAINING LOOP BUSH	1873 WHITE	1	
20	WALL BRACKET SLEEVE	1872 WHITE	2	
21	SLIDER DEVICE	SC32229/01	1	
22	AS ABSOLUTE SHELF		1	
23	FLEXIBLE HOSE	FL8010	1	
24	DIVERTER ASSEMBLY	NEW DIVERTER	1	
25	WALL BRACKET ADJUSTER	3691 A SILVER	1	
26	WALL BRACKET	3692 A SILVER	1	
27	WALL PLATE	1485 AF	1	
28	WALL MOUNT	5186 A SILVER	1	2101 mm
29	STRAIGHT GLASS (850)	3929 M	1	800 mm
29	STRAIGHT GLASS (1000)	3927 M	1	950 mm
29	STRAIGHT GLASS (1100)	3907 M	1	1050 mm
29	STRAIGHT GLASS (1200)	3928M	1	1150 mm
29	STRAIGHT GLASS (1400)	3908M	1	1350 mm
29	STRAIGHT GLASS (1500)	3909M	1	1450 mm
30	VERTICAL FRAME	5188 A SILVER	1	2101 mm
31	GLASS HORIZ TRACK (850)	5229 A SILVER	1	784 mm
31	GLASS HORIZ TRACK (1000)	5189 A SILVER	1	934 mm
31	GLASS HORIZ TRACK (1100)	5243 A SILVER	1	1034 mm
31	GLASS HORIZ TRACK (1200)	5190 A SILVER	1	1134 mm
31	GLASS HORIZ TRACK (1400)	5244 A SILVER	1	1334 mm
31	GLASS HORIZ TRACK (1500)	5245 A SILVER	1	1434 mm
32	VERTICAL FRAME CAP	1836 A SILVER	1	
33	WALL MOUNT COVER	5187 A SILVER	1	2101 mm
34	HORIZONTAL CENTRE END CAP	5015 BLACK	1	
	AS 1000/1200 KIT OF PARTS	7308 AF		
35	COWLING END CAP	7500 A SILVER	2	
36	No8 PAN HEAD SCREW	1471 A SILVER	5	31.8 mm
37	WALL PLUG	1818 AF	6	
38	M4 x 6mm SOCKET BUTTON HEAD	1518 A SILVER	1	6 mm
39	WALL MOUNT CAP	1835 A SILVER	1	
40	No.8 CSK SCREW	1478 A SILVER	1	32 mm
41	ALAN KEY 2.5mm	1168 AF	1	
42	CLEAR SILICON SEALANT	1967 AF	1	
43	INSTALLATION INSTRUCTIONS	1089 AF	1	

GLASS CLAMP ASSEMBLY (1 : 4)



TOP CAPS (1 : 2)



We recommend that these instructions are handed to the user with a note of a date of purchase and model details.
To order replacements quote: Part Description, Model, Part Number and Colour

MAINTENANCE

Matki Glass Guard Easy Clean Surface Protection (optional) and General Cleaning Guide

Cleaning Instructions

Matki Glass Guard allows water to form minute beads which easily trickle off the surface of the glass. This makes the glass easier to clean - the glass does not need to be cleaned as frequently, but it does require occasional maintenance. As less cleaning is required the use of detergents can be minimised thus helping to protect the environment. The lifespan of the Matki Glass Guard is dependant on the frequency of use of the shower and the degree of water hardness.

The combination of alkaline materials and humidity affects glass in an extremely aggressive way. Do not use bleach, alkaline, acid-based or aggressive and abrasive glass cleaners, detergents or household cleaning products on the glass or frames.

We recommend that glass is washed down with clean water and a soft clean cloth or sponge and dried off with a microfibre cloth.

The special coating is only present on the inside of the glass.

Matki Glass Guard is guaranteed for 2 years provided that the guidelines and cleaning instructions are followed.

Aluminium and Chrome parts should be cleaned with a mild non scratch household cleaner and a soft cloth or sponge.

Do not use acidic-based descaler products or products which are unsuitable for cleaning enamelled surfaces, including abrasive cleaners or cleaners containing bleach or solvents, as the products will effect the anodised framework. Under no circumstances use cleaners with a pH level exceeding 8.

Matki does not recommend the use of 'Leave-on' shower cleaners on Matki Glass Guard Products.

Water Softeners and Glass Guard - Certain types of water softeners increase the alkalinity of the water due to a carry-over of Chloride during re-generation which can cause aggressive water spots on both untreated and Glass Guarded glass. If using a water softener we recommend a two-cylinder machine with automatic re-generation instead of a timer.

If a single-cylinder water softener with timer is already installed it is recommended that after each shower excess water is removed from the glass with a squeegee or with a micro-fibre cloth.



Wash down with clean warm water and a soft clean cloth or sponge.



Do not use bleach, alkaline or acid-based, aggressive or abrasive cleaning products.

Flash Bathroom Spray or Cif Bathroom Spray can be used on Matki Products.

Various specialist cleaning and glass dressing products are available from Ritec International Ltd Tel. 020 8344 8210 or www.ritec.co.uk.

Matki Plc is not connected with Ritec International Ltd in any way and the contact details are supplied for information only. Read manufacturers label before using any cleaning materials.

IMPORTANT

Matki Glass Guard is guaranteed for 2 years. It is essential that the cleaning instructions are followed in order to maintain the hydrophobic properties of the glass coating. In the event of the failure to comply in any way with these instructions, any warranty or guarantee will be null and void.

MATKI PLC, CHURCHWARD ROAD, YATE, BRISTOL, BS37 5PL
TELEPHONE:01454 328816 (AFTER SALES) FAX:01454 328821 EMAIL: techsupport@matki.co.uk



matki | SHOWERING

13

Matki PLC, Churchward Road, Yate,
Bristol BS37 5PL

EN 14428:2008+A1