

matki

SHOWERING

NEW RADIANCE CURVED

NRXC825/920/1000

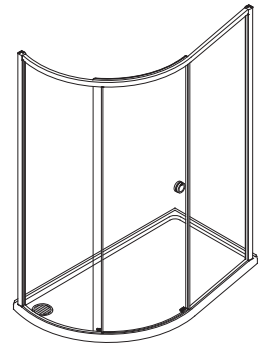
NRXO1170/1480

INSTALLATION

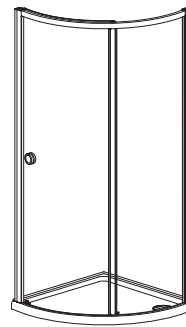
PARTS LIST



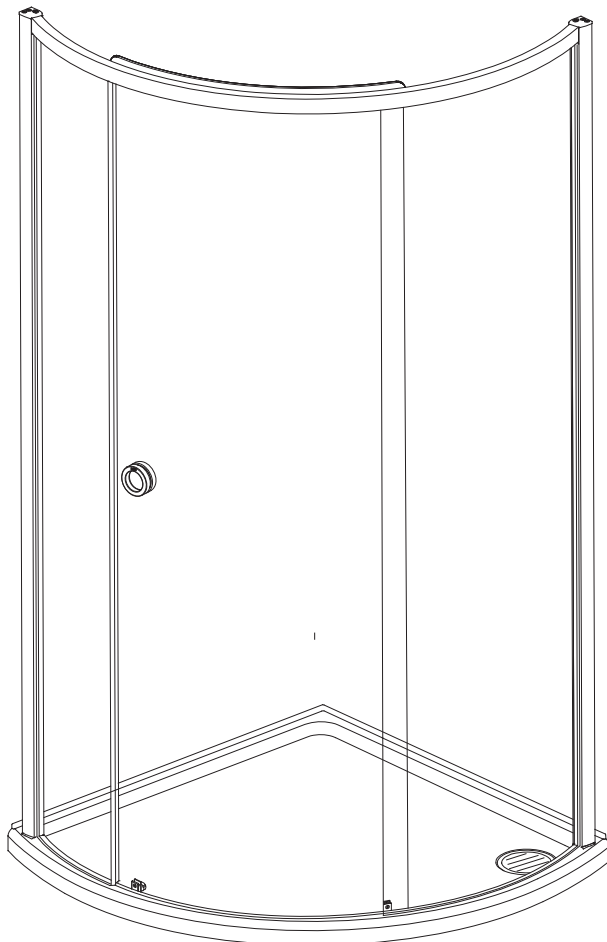
MODEL: NRXC1000LH/RH



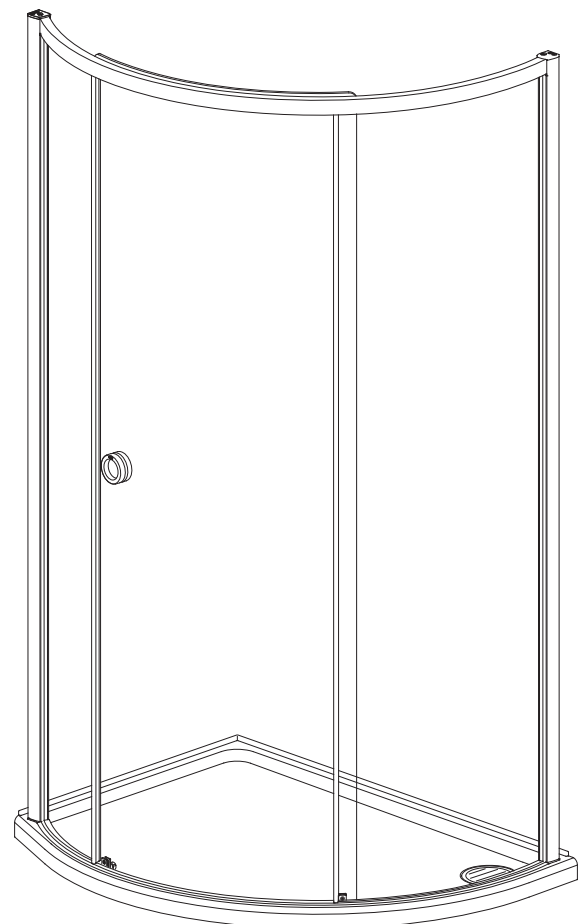
MODEL: NRXO1480LH/RH



MODEL: NRXC825LH/RH



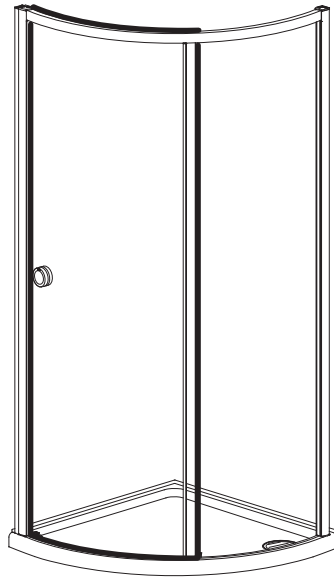
MODEL: NRXC920LH/RH



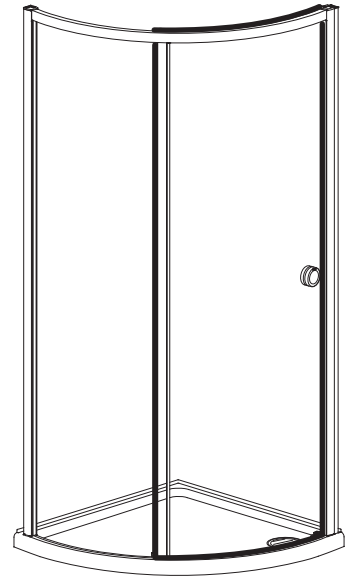
MODEL: NRXO1170LH/RH

MATKI PLC, CHURCHWARD ROAD, YATE, BRISTOL, BS37 5PL
TELEPHONE:01454 328816 (AFTER SALES) FAX:01454 328821 EMAIL:techsupport@matki.co.uk

MODEL: NRXC825LH/RH

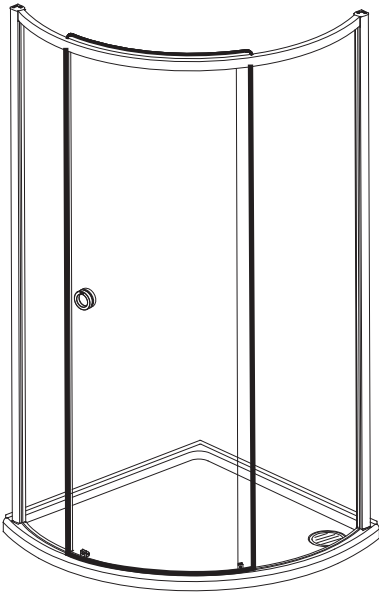


LH DOOR OPENING
NRXC825

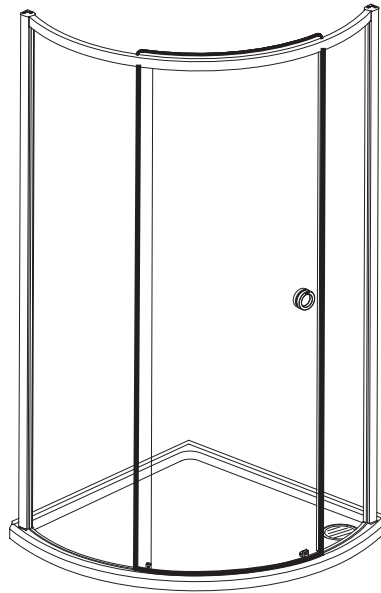


RH DOOR OPENING
NRXC825

MODEL: NRXC920LH/RH

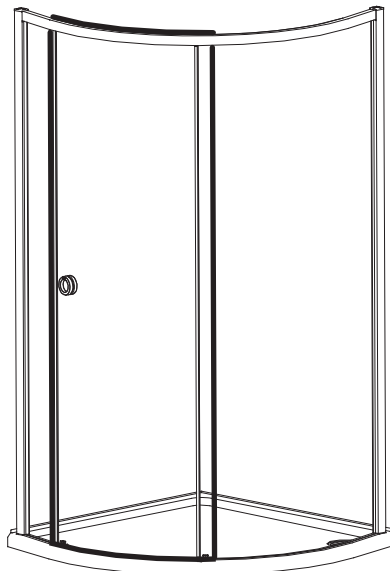


LH DOOR OPENING
NRXC920



RH DOOR OPENING
NRXC920

MODEL: NRXC1000LH/RH

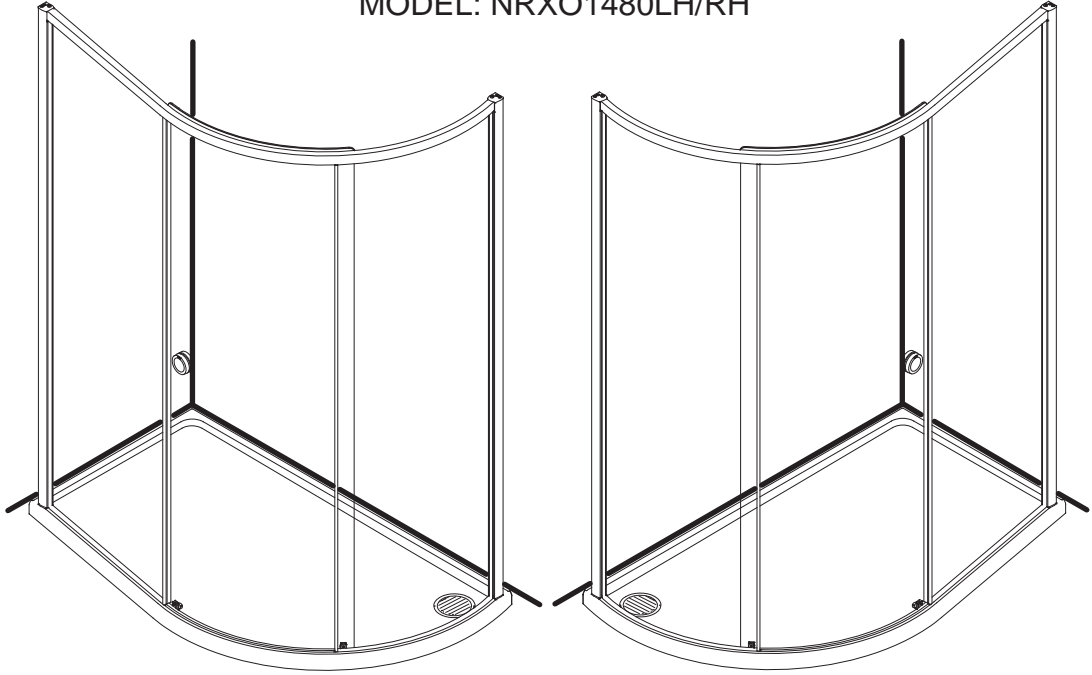


LH DOOR OPENING
NRXC1000



RH DOOR OPENING
NRXC1000

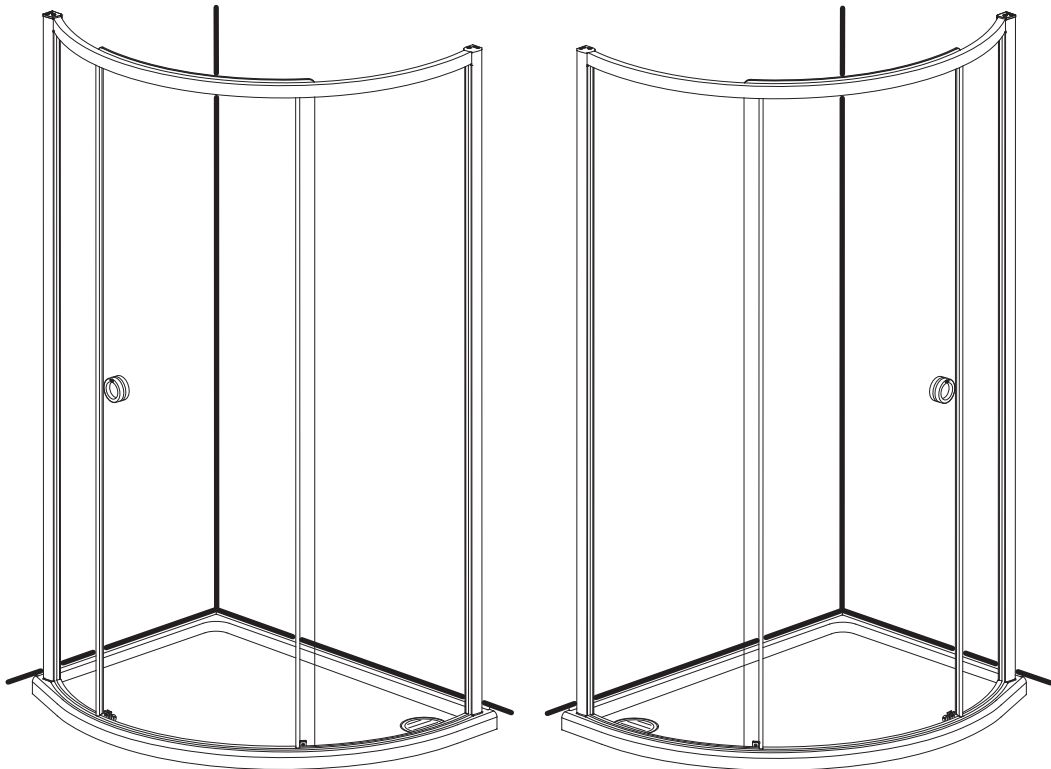
MODEL: NRXO1480LH/RH



LH CORNER NRXO1480

RH CORNER NRXO1480

MODEL: NRXO1170LH/RH



LH CORNER NRXO1170

RH CORNER NRXO1170

IMPORTANT

Before disposing of carton and/or commencing assembly, please check all the parts to ascertain that none are missing and they are all undamaged. No claim for missing/damaged parts will be accepted once the packing carton has been disposed of and/or assembly has commenced.

In case of query contact your Stockist with details of model number and details of serial number.

Due to the weight of the surround we recommend that two people are available for assembly.

PREPARATION

Please read complete installation instructions before fitting. **Ensure top of tray is level**, tray should be let into wall with tiling lip face flush with the wall to allow tiling to overlap tiling lip. **The assembly should be installed onto waterproof wall covering and installed after the Tray and wall coverings are in place.**

Carefully remove assembly from carton, do not place glass on hard floor or expose edges to impact.

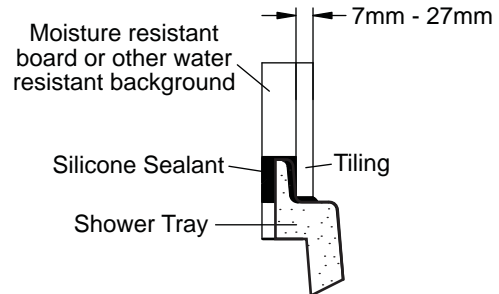
Ensure top of tray is level. Seal between tray and tiles. Remove any excess sealant from the area/joint between the tray and tiles where the Wall Mount will be fitted this will ensure the Wall Mount fits correctly to the wall and tray.

CAUTION: TEMPERED GLASS CANNOT BE CUT, POLISHED METAL AND CHROME CAN BE SCRATCHED.

TOOLS REQUIRED

6mm Tile Masonry Drill Bit, Screw Drivers, Safety Glasses, Electric Drill, Spirit Level, Pencil, Non Slip Gloves.

TYPICAL INSTALLATION OF SHOWER TRAY

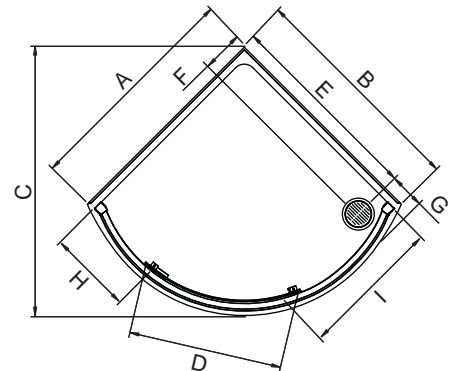
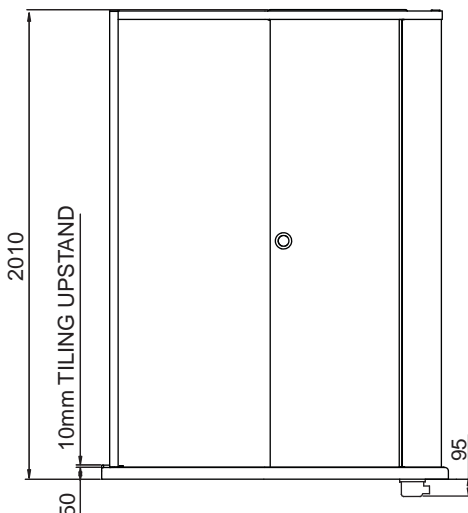
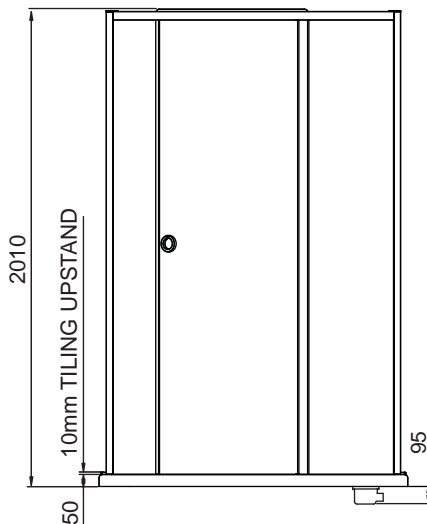


Alternatively bottom of wall may be cut back to allow tiling lip to be flush with wall.

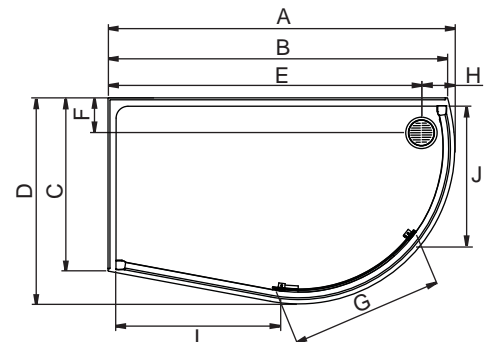
Ensure top of shower tray is level

DIMENSIONS

Dimensions are approximate due to nature of materials used



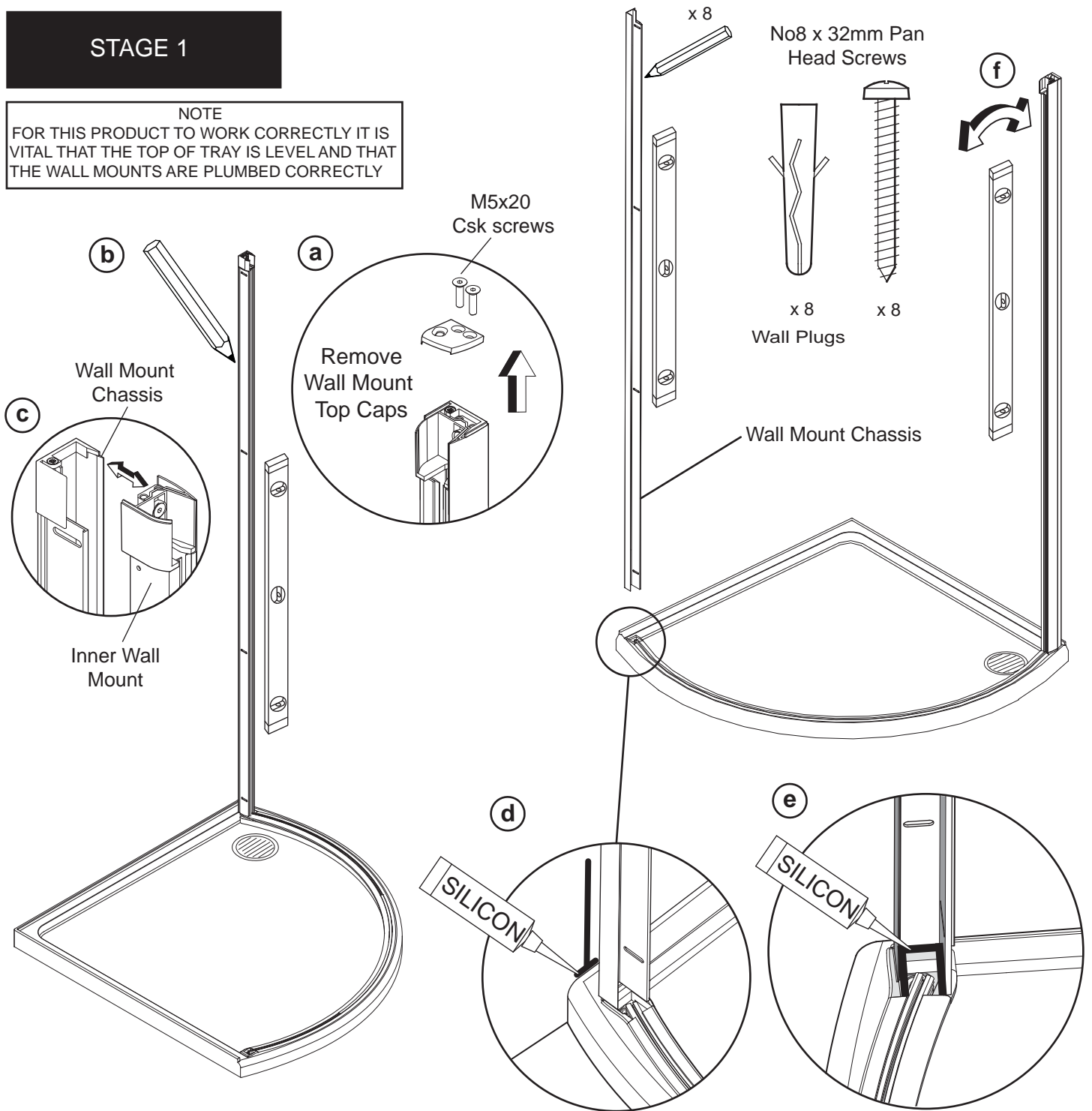
Model	A	B	C	D	E	F	G	H	I
NRXC825	825	825	913	465	702	167	138	34	564
NRXC920	920	920	1112	465	823	155	138	335	581
NRXC1000	1000	1000	1235	465	892	150	136	229	828



Model	A	B	C	D	E	F	G	H	I	J
NRXO1480	1481	1450	740	880	1339	150	465	139	687	604
NRXO1170	1104	1100	714	844	965	150	460	139	319	564

STAGE 1

NOTE
FOR THIS PRODUCT TO WORK CORRECTLY IT IS VITAL THAT THE TOP OF TRAY IS LEVEL AND THAT THE WALL MOUNTS ARE PLUMBED CORRECTLY

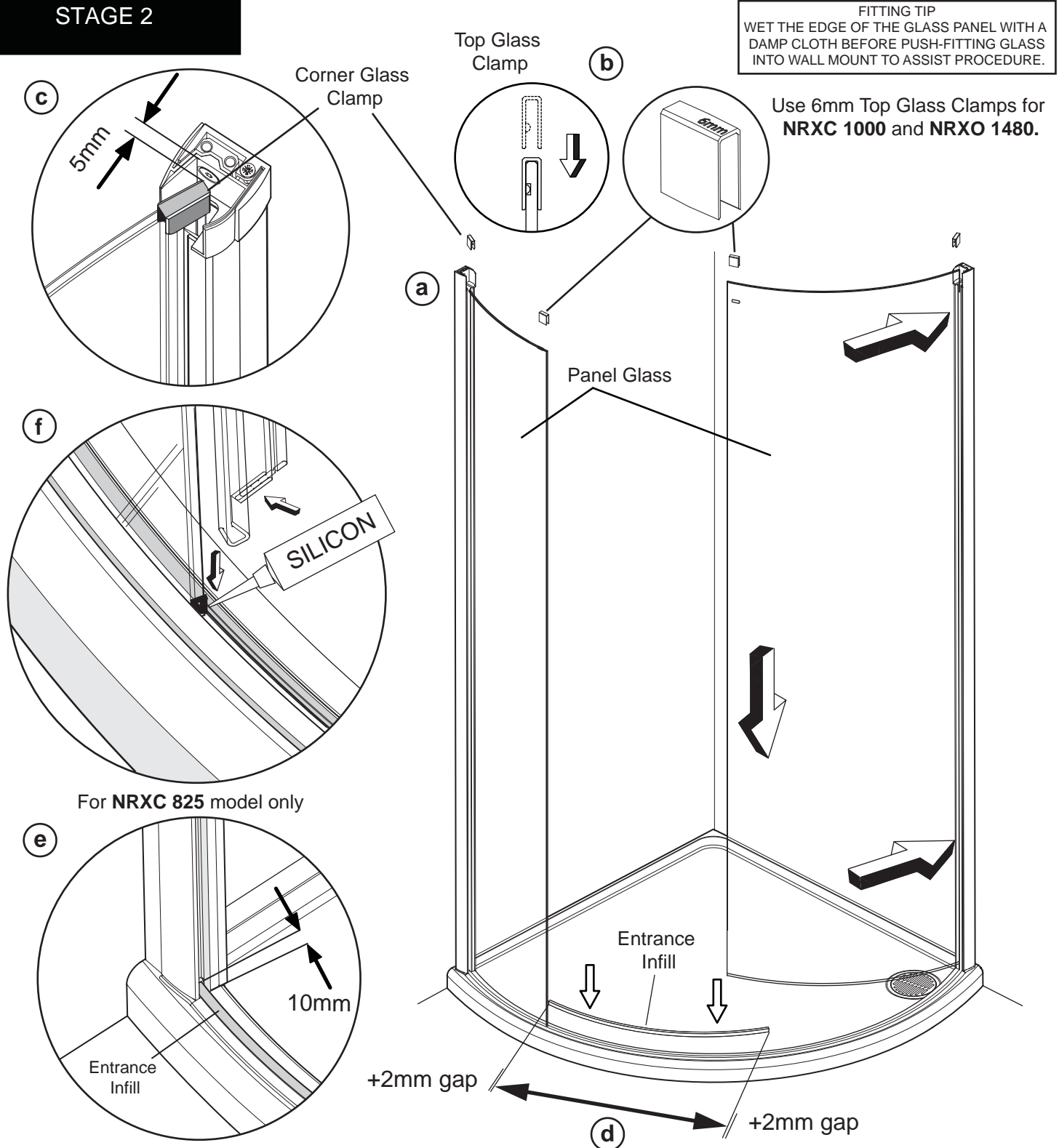


This stage describes the Wall Mount installation.

- Remove the top caps, the M5 x 20mm Csk screws and the 2 x long wall mount cover strips from each wall mount assembly and **loosen** the 4 x No8 x 9.5mm pan head screws.
- With the 4 screw heads facing inside the tray, position each wall mount in the corner of the tray sitting the wall mount into the pre-fitted tray bracket. Plum for upright and mark with a pencil.
- Lift out each wall mount and separate the sections by removing the 4 x No8 x 9.5mm pan head screws completely. Offer the wall mount chassis to the pencil mark, drill 4 holes central to the fixing slot on the back face of the wall mount chassis using a suitable 6mm drill bit - place the wall plugs in these holes.
- Apply silicon sealant to the area behind the wall mount chassis between the tray and the tiles and 100mm up the wall central to the width of the wall mount chassis and fasten using the No8 x 32mm pan head screws provided.
- Apply a bead of silicon sealant to the inside joint between the wall mount chassis and tray bracket up to the joint where the tray bracket meets the tray glass extrusion.
- Replace the inner wall mount section to the wall mount chassis (c), plumb for upright (f) and fasten with the 4 x No8 x 9.5mm pan head screws.

STAGE 2

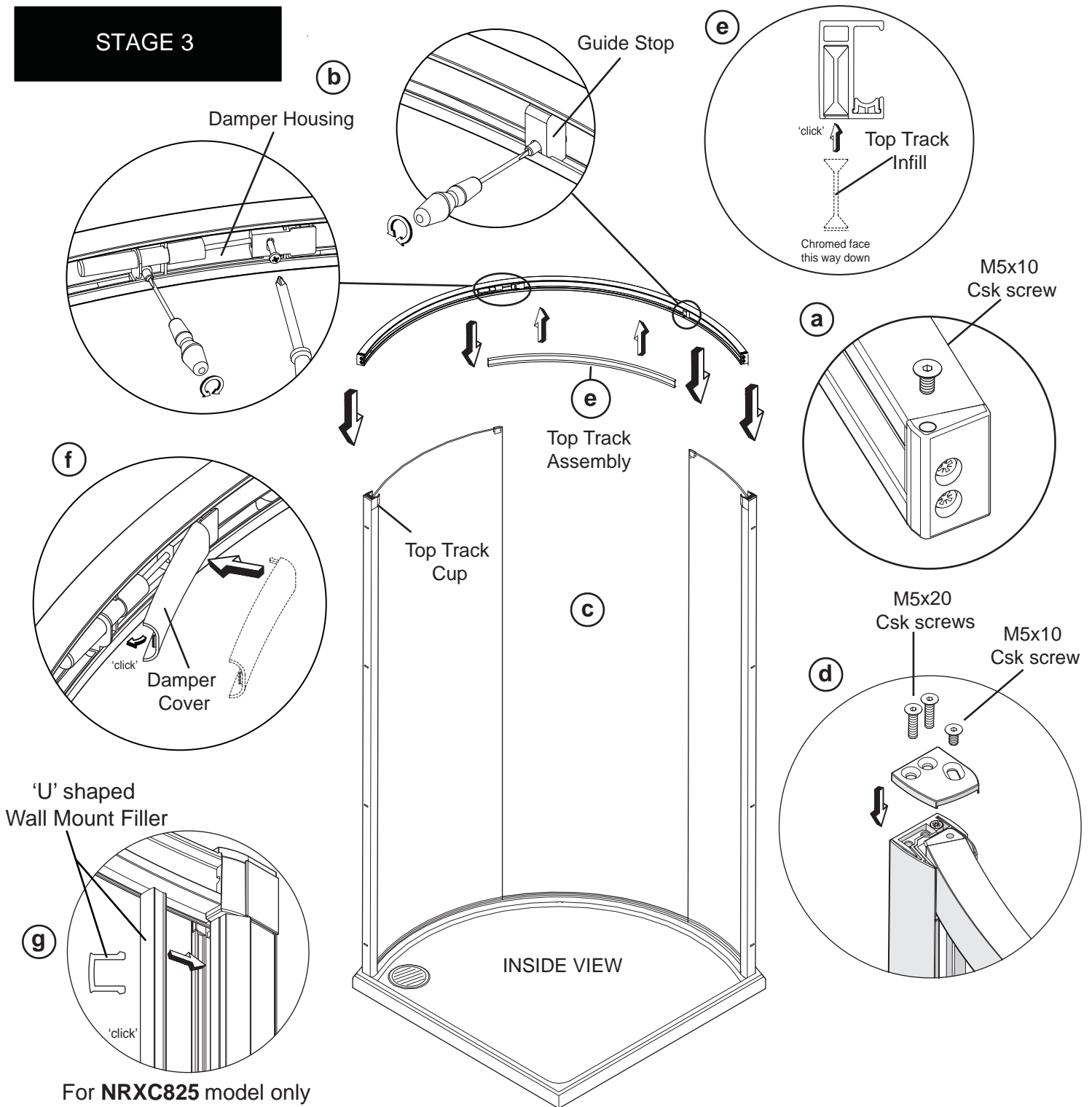
FITTING TIP
WET THE EDGE OF THE GLASS PANEL WITH A DAMP CLOTH BEFORE PUSH-FITTING GLASS INTO WALL MOUNT TO ASSIST PROCEDURE.



This stage describes the Fixed Panel installation.

- a.** Carefully offer each glass panel into its respective wall mount, gently slide each panel down into glass groove in the tray and finally push the glass panel home into the wall mount evenly from top to bottom.
- b.** Push fit the Top Glass Clamps (in kit of parts) onto the top edges and corners of each glass panel, use the 6mm top glass clamps only for the top edges of the panels on the NRXC1000 and NRXO1480.
- c.** Check the position of the back edge of the glass in the wall mount a minimum 5mm gap between glass and wall mount cap is required for fitting the top track.
- d.** As a guide use the Entrance Infill to set the entrance width between the glass panels, allow a 2mm gap at each end between the entrance infill and glass for fitting the vertical seals.
- e.** For the **NRXC 825** the entrance infill fits 10mm under the wall mount also allow a gap of 2mm on the opposite end for the glass panel vertical seal.
- f.** Before fitting the vertical seals apply a small bead of silicon sealant on the end face of both glass panels only down in the depth of tray groove. Fit the notched end of the seals down into the tray groove and onto the edge of the glass panels the inside leg of the vertical seal should meet the tray.

STAGE 3

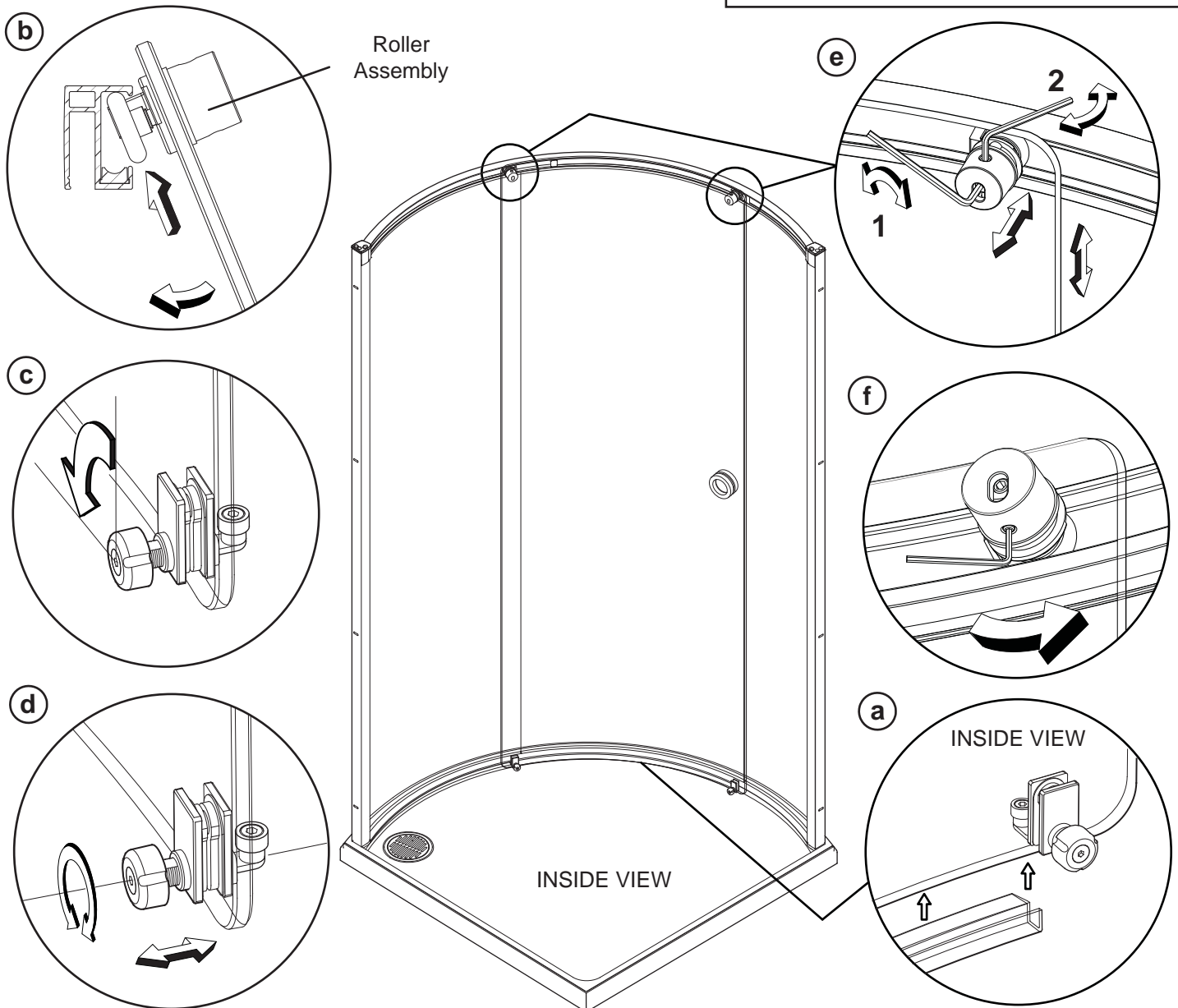


This stage describes the fitting of the Top Track.

- Before fitting the top track remove the M5 x 10 csk sct screws from the ends of the top track. These will be replaced when securing the top track and wall mount top caps (d).
- Loosen the 2x grub screws and 1x pan-head screw in the damper housing and guide stop in the top track assembly.
- Carefully lower the whole top track assembly onto each panel glass and into the top track cups on the wall mounts. Gently tighten the 2x grub screws in the damper housing and guide stop - through the top track - to fully clamp the panel glass and top track assembly together (b).
- Replace the top caps back onto wall mount with the M5 x 20 Csk sct screws. Clamp the top track assembly and wall mounts together with the M5 x 10 csk sct screws.
- Push-fit the top track infill (chromed face down) into the top track assembly between each panel glass then re-tighten the 1x pan-head screw in the Damper Housing.
- Snap-fit the Damper Cover into the Damper Housing assembly.
- For the NRXC825 model only - push fit the 'U' shaped wall mount filler into the empty wall mount.

STAGE 4

NOTE
ADJUSTING THE TOP ROLLER ASSEMBLY IN OR OUT
AFFECTS THE OPPOSITE, BOTTOM CORNER OUT OR
IN RESPECTIVELY.



This stage describes Fitting and Adjusting the Door.

- a.** Before fitting the door fit the horizontal door seal to the bottom edge of the door between the door guides. The soft fin on the horizontal seal is to face outwards.
- b.** Carefully lift the door glass into the enclosure and offer the roller assembly into the top track at an angle, then lower the bottom of door towards the tray.
- c.** Rotate the door guides 1/4 turn anticlockwise from the vertical position to fit under the tray guide rail and back to vertical to engage in the tray guide rail.
- d.** The door guides can be adjusted to change the distance between the door panel and fixed panels, dis-engage both guides from the tray guide rail to adjust. Rotate the guide anticlockwise to move the door closer to the fixed glass panels. Rotate clockwise to move the door away from the glass panels.

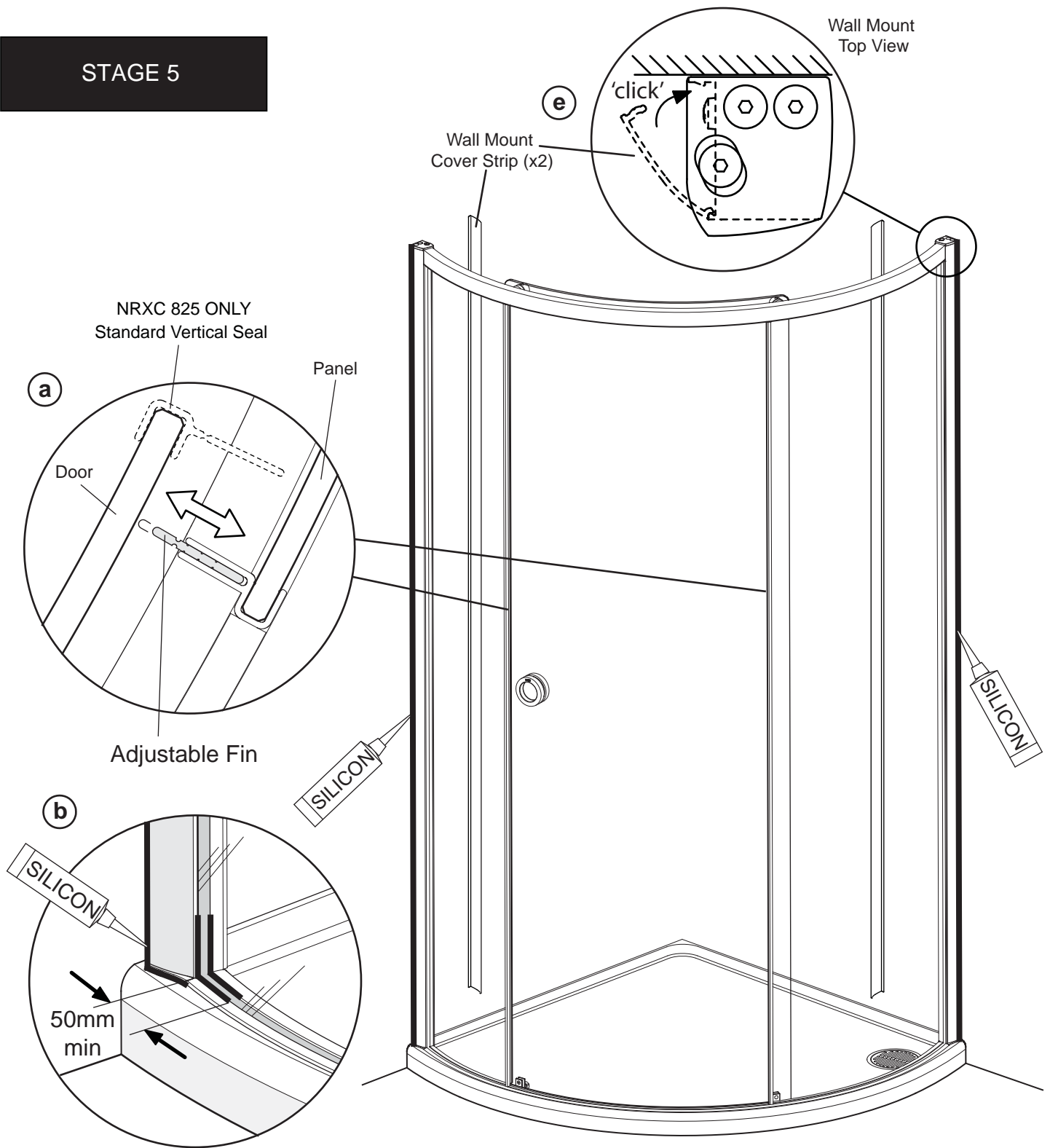
Test how the door slides along the track. The movement of the door will be arrested by the damper in the top track when the door closes, and by the rubber stop when it opens. Adjust the combination of the door guides and rollers to ensure a smooth running door (See Note above at the top of the page).

- e.** Adjust the door panel if required so that it runs parallel to the door opening by adjusting the roller blocks on the inside of the door. To adjust the door away from the top track rotate the central set screw **e1** clockwise using the 3mm allen key supplied. To adjust the door closer to the top track, rotate the central set screw **e1** anticlockwise.

The door glass can be raised or lowered by the adjustment screw **e2** in the top of the roller block using the 2.5mm allen key supplied. Rotate clockwise to lower the door, rotate anticlockwise to raise the door.

- f.** Lock off the roller block assembly with the set screw in the underside of the roller block using the 2.5mm allen key.

STAGE 5



This stage is describing adjusting the Fixed panel vertical seals.

a. The Fixed panel vertical seals have an adjustable soft fin. The fin can be pulled out of the rigid carrier to accommodate variations in the clearance gap between the door and the fixed panels. Adjust the fin as close as possible to the door panel. When adjusted check that the door runs smoothly between open and closed positions. FOR NRXC 825 ONLY - fit the Standard Vertical Seal on the back edge of the door also.

b. Apply a thin bead of silicon sealant along the joint between both the wall mount tray brackets where they meet the tray. Apply a thin bead of silicon sealant in the corners between the wall mount and fixed panel glass and the tray and fixed panel glass. Apply to both the inside and outside corners, there is a small recess in both the wall mount and tray feature on both sides of the glass panel to accommodate the sealant.

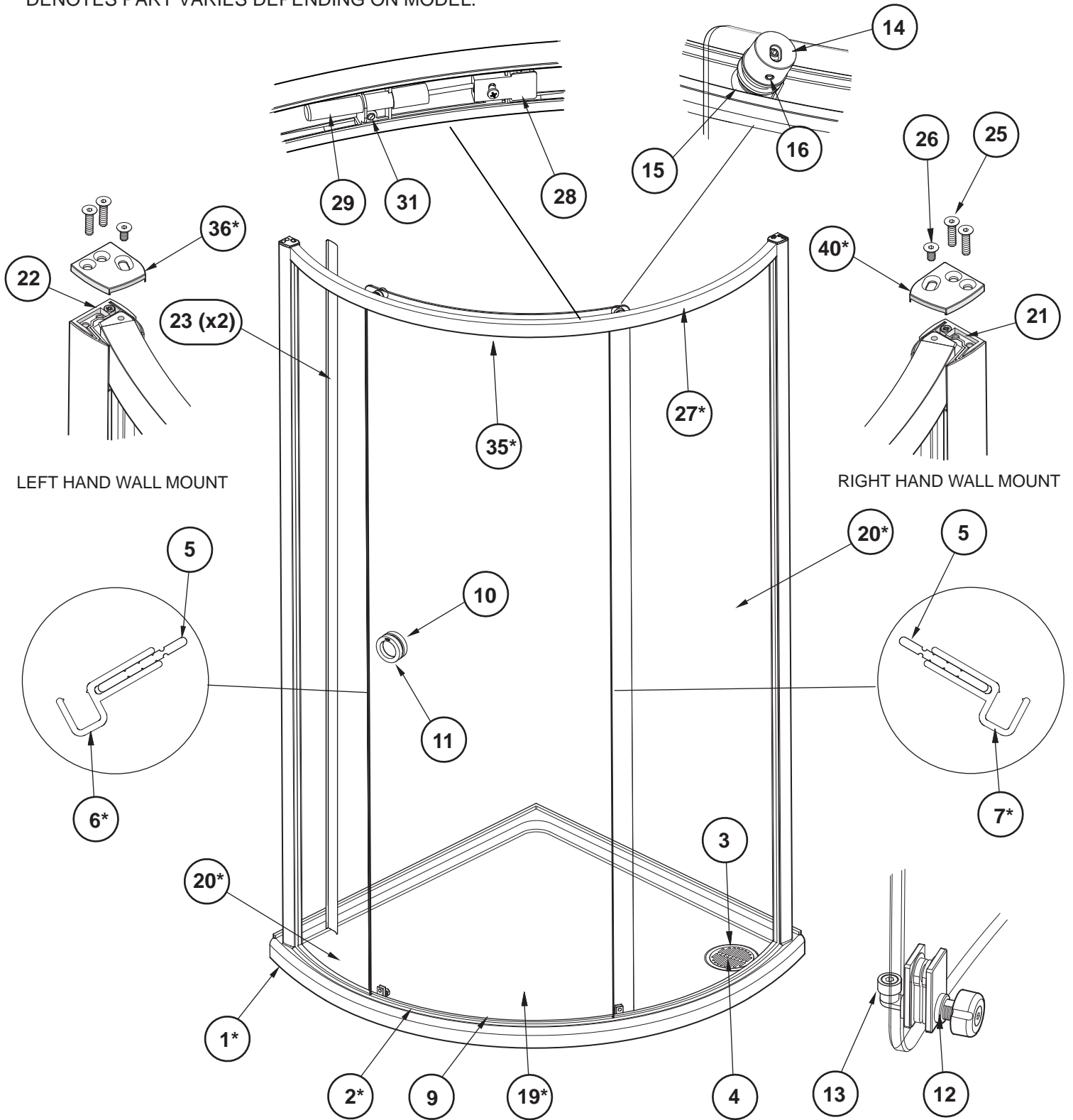
Apply a thin bead of silicon sealant all the way up the outside of both the wall mount extrusions between the wall mounts and the tiles. Masking tape can be used to achieve a tidy edge to the sealant. Remove the masking tape immediately and allow the silicon to cure for 24 hours before using the shower.

e. Finally snap-fit the Wall Mount Cover Strips back onto the inside face of the Wall Mount.

PARTS LIST

NEW RADIANCE CURVED NRXC825LH/RH - 920LH(PICTURED)/RH - 1000LH/RH NRXO1170LH/RH - 1480LH/RH

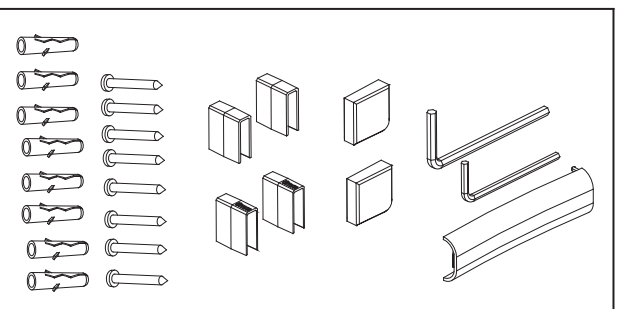
*DENOTES PART VARIES DEPENDING ON MODEL.



LEFT HAND WALL MOUNT

RIGHT HAND WALL MOUNT

NRXC & NRXO PARTS KIT		6031 AF	
No.8 X 32 PAN HEAD SELF TAP SCREW	1471 A SILVER	8	
WALL PLUG	1818 AF	8	
DAMPER COVER	5255 A SILVER	1	
TOP GLASS CLAMP	5263 BLACK	2	
TOP GLASS CLAMP 6mm	5347 BLACK	2	
CORNER GLASS CLAMP	5906 BLACK	2	
3/32 ALLEN KEY	1363 AF	1	
3mm ALLEN KEY	1167 AF	1	

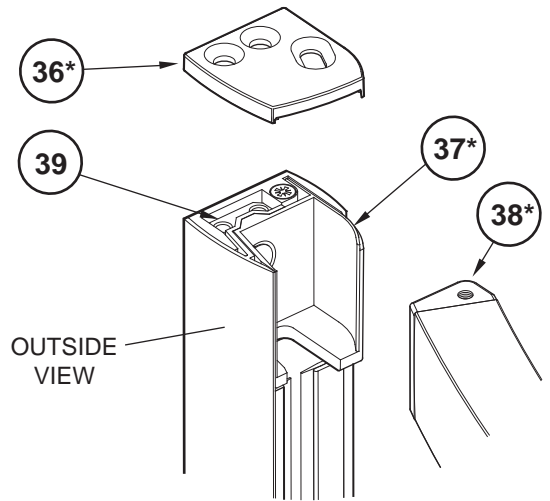


PARTS LIST

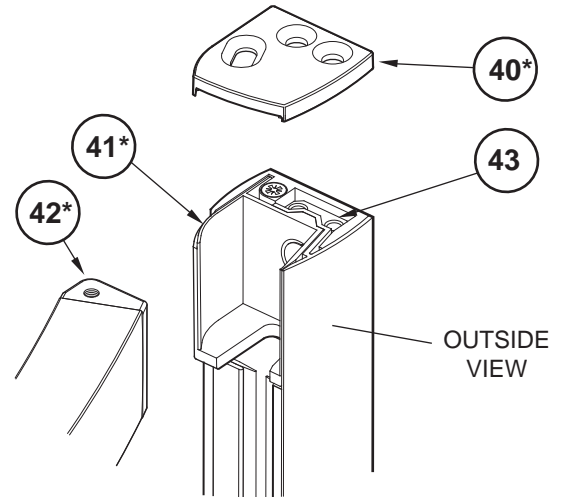
*DENOTES PART VARIES DEPENDING ON MODEL.

Parts List				
ITEM	PART No.	QTY	DESCRIPTION	LENGTH
1*	NRXC 825/920/1000. NRXO 1170 LH&RH/1480 LH&RH	1	SHOWER TRAY	
2*	8780 A SILVER	1	ENTRANCE INFILL	627mm
	5789 A SILVER	1	ENTANCE INFILL (NRXC 825 ONLY)	650mm
3	5953 A SILVER	1	THREADED WAIST FLANGE	
4	7490 C WHITE	1	P.COATED S/S SLOTTED WAIST COVER	
5	2320 CLEAR	2	ADJUSTABLE FIN BLADE	1910mm
6*	2319 CLEAR LH	1	5mm ADJ FIN CARRIER	1920mm
	2321 CLEAR LH	1	6mm ADJ FIN CARRIER (NRXO 1570 RH, NRXC 1000 RH ONLY)	1920mm
7*	2319 CLEAR RH	1	5mm ADJ FIN CARRIER	1920mm
	2321 CLEAR RH	1	6mm ADJ FIN CARRIER (NRXO 1570 LH, NRXC 1000 LH ONLY)	1920mm
8*	2312 CLEAR	1	STANDARD VERTICAL SEAL (NRXC 825 ONLY)	1910mm
9	2317 CLEAR	1	HORIZONTAL SEAL	591mm
10	5235 A SILVER	1	ROUND HANDLE MALE	
11	5234 A SILVER	1	ROUND HANDLE FEMALE	
12	DOOR GUIDE	2	SUB ASSEMBLY PART	
13	5905 AF	2	PTFE GUIDE ARM BARREL	
14	5303 A SILVER	2	DOOR GLASS ADJUSTER BACK PLATE	
15	1860 AF	2	ROLLER BEARING	
16	5279 AF	2	BEARING LOCK	
17	5960 A SILVER	1	RH ROLLER FACE	
18	5959 A SILVER	1	LH ROLLER FACE	
19*	7948 M CLEAR/PLAIN	1	LH DOOR GLASS	
	7949 M CLEAR/PLAIN	1	RH DOOR GLASS	
20*	7932 M CLEAR/PLAIN	1	NRXC 825 LH/RH, 920 LH/RH, NRXO 1170LH/RH - LARGE FIXED PANEL	
	7933 M CLEAR/PLAIN	1	NRXC 920 LH/RH, NRXO 1170LH/RH - SMALL FIXED PANEL	
	7934 M CLEAR/PLAIN	1	NRXO 1480 LH/RH SIDE PANEL (CURVED)	
	7935 M CLEAR/PLAIN	1	NRXO 1480 LH/RH SIDE PANEL (STRAIGHT)	
	7936 M CLEAR/PLAIN	1	NRXC 1000 SIDE PANEL LH (CURVED)	
	7937 M CLEAR/PLAIN	1	NRXC 1000 SIDE PANEL RH (CURVED)	
	7938 M CLEAR/PLAIN	1	NRXC 1000 LH/RH SIDE PANEL (STRAIGHT)	
21	5755 A SILVER	1	RH WM CHASSIS	
22	5758 A SILVER	1	LH WM CHASSIS	
23	5797 A SILVER	2	ALLY WALL MOUNT COVER	
24*	2309 AF	2	SEAL GRASP (x1 ON NRXC 825)	1915mm
	2311 A SILVER	1	WALL MOUNT FILLER (NRXC 825 LH/RH ONLY)	1914mm
25	1503 A SILVER	4	CSK SKT SCREW	
26	1488 A SILVER	4	CSK SKT SCREW	
27*	5224 A SILVER	1	TOP TRACK NRXC 920 LH, NRXO 1170 LH	
	5225 A SILVER	1	TOP TRACK NRXC 920 RH, NRXO1170 RH	
	5431 A SILVER	1	TOP TRACK NRXC 825 LH/RH	
	5434 A SILVER	1	TOP TRACK NRXC 1000 LH/RH	
	5433 A SILVER	1	TOP TRACK NRXO 1480 LH	
	5432 A SILVER	1	TOP TRACK NRXO 1480 RH	
28	5280 BLACK	1	RUBBER STOP	
29	1348 AF	1	DOOR DAMPER	
30	5287 A SILVER	1	ROLLER TRACK STOP (x2 FOR NRXC 1000 LH/RH)	
31	1635 AF	2	NYLON M6x10 GRUB SLOTTED SCREW (x3 FOR NRXC 1000 LH/RH)	
32*	5907 A SILVER	1	RUBBER STOP HOUSING (NRXC 1000 LH/RH, NRXO 1480 LH/RH)	
33*	5908 BLACK	1	RUBBER STOP (NRXC 1000 LH/RH, NRXO 1480 LH/RH)	
34*	1439 A SILVER	1	M6 x 8 SKT SET (NRXC 1000 LH/RH, NRXO 1480 LH/RH)	
35*	2265 AF	1	TOP TRACK INFILL	618mm
	2267 AF	1	NRXC 825 TOP TRACK INFILL	633mm

PARTS THAT ARE DIFFERENT ON WALL MOUNTS BETWEEN MODELS



LEFT HAND WALL MOUNT AS VIEWED



RIGHT HAND WALL MOUNT AS VIEWED

LEFT HAND WALL MOUNT AS VIEWED

36*	5943 A SILVER	1	TOP CAP - NRXC 920 LH/RH, 1000 LH/RH. NRXO 1480 LH/RH, 1170 RH. NRXC 825 RH
	5916 A SILVER	1	TOP CAP - NRXC 1170 LH
	5913 A SILVER	1	TOP CAP - NRXC 825 LH
37*	5945 A SILVER	1	WALL MOUNT CUP - NRXC 920 LH/RH, 1000 LH/RH. NRXO 1480 LH/RH, 1170 RH. NRXC 825 RH
	5912 A SILVER	1	WALL MOUNT CUP - NRXC 1170 LH
	5910 A SILVER	1	WALL MOUNT CUP - NRXC 825 LH
38*	5941 A SILVER	1	TOP TRACK END CAP - NRXC 920 LH/RH
	5947 A SILVER	1	TOP TRACK END CAP - NRXC 825 LH/RH, 1000 LH/RH. NRXO 1170 LH, 1480 LH/RH
	5920 A SILVER	1	TOP TRACK END CAP - NRXO 1170 LH UNIT
39	5296 A SILVER	1	LH COLUMN CAP

RIGHT HAND WALL MOUNT AS VIEWED

40*	5942 A SILVER	1	TOP CAP - NRXC 920 LH/RH, 1000 LH/RH. NRXO 1480 LH/RH, 1170 LH. NRXC 825 LH
	5915 A SILVER	1	TOP CAP - NRXC 1170 RH
	5914 A SILVER	1	TOP CAP - NRXC 825 RH
41*	5944 A SILVER	1	WALL MOUNT CUP - NRXC 920 LH/RH, 1000 LH/RH. NRXO 1480 LH/RH, 1170 LH. NRXC 825 LH
	5911 A SILVER	1	WALL MOUNT CUP - NRXC 1170 RH
	5909 A SILVER	1	WALL MOUNT CUP - NRXC 825 RH
42*	5940 A SILVER	1	TOP TRACK END CAP - NRXC 920 LH/RH
	5946 A SILVER	1	TOP TRACK END CAP - NRXC 825 LH/RH, 1000 LH/RH. NRXO 1170 LH, 1480 LH/RH
	5919 A SILVER	1	TOP TRACK END CAP - NRXO 1170 RH UNIT
43	5295 A SILVER	1	RH COLUMN CAP

MAINTENANCE

Matki Glass Guard Easy Clean Surface Protection (optional) and General Cleaning Guide

Cleaning Instructions

Matki Glass Guard allows water to form minute beads which easily trickle off the surface of the glass. This makes the glass easier to clean - the glass does not need to be cleaned as frequently, but it does require occasional maintenance. As less cleaning is required the use of detergents can be minimised thus helping to protect the environment. The lifespan of the Matki Glass Guard is dependant on the frequency of use of the shower and the degree of water hardness.

The combination of alkaline materials and humidity affects glass in an extremely aggressive way. Do not use bleach, alkaline, acid-based or aggressive and abrasive glass cleaners, detergents or household cleaning products on the glass or frames.

We recommend that glass is washed down with clean water and a soft clean cloth or sponge and dried off with a microfibre cloth.

The special coating is only present on the inside of the glass.

Matki Glass Guard is guaranteed for 2 years provided that the guidelines and cleaning instructions are followed.

Aluminium and Chrome parts should be cleaned with a mild non scratch household cleaner and a soft cloth or sponge.

Do not use acidic-based descaler products or products which are unsuitable for cleaning enamelled surfaces, including abrasive cleaners or cleaners containing bleach or solvents, as the products will effect the anodised framework. Under no circumstances use cleaners with a pH level exceeding 8.

Matki does not recommend the use of 'Leave-on' shower cleaners on Matki Glass Guard Products.

Water Softeners and Glass Guard - Certain types of water softeners increase the alkalinity of the water due to a carry-over of Chloride during re-generation which can cause aggressive water spots on both untreated and Glass Guarded glass. If using a water softener we recommend a two-cylinder machine with automatic re-generation instead of a timer.

If a single-cylinder water softener with timer is already installed it is recommended that after each shower excess water is removed from the glass with a squeegee or with a micro-fibre cloth.



Wash down with clean warm water and a soft clean cloth or sponge.



Do not use bleach, alkaline or acid-based, aggressive or abrasive cleaning products.

Flash Bathroom Spray or Cif Bathroom Spray can be used on Matki Products.

Various specialist cleaning and glass dressing products are available from Ritec International Ltd Tel. 020 8344 8210 or www.ritec.co.uk. Matki Plc is not connected with Ritec International Ltd in any way and the contact details are supplied for information only. Read manufacturers label before using any cleaning materials.

IMPORTANT

Matki Glass Guard is guaranteed for 2 years. It is essential that the cleaning instructions are followed in order to maintain the hydrophobic properties of the glass coating. In the event of the failure to comply in any way with these instructions, any warranty or guarantee will be null and void.

MATKI PLC, CHURCHWARD ROAD, YATE, BRISTOL, BS37 5PL
TELEPHONE:01454 328816 (AFTER SALES) FAX:01454 328821 EMAIL: techsupport@matki.co.uk

