

# matki | SHOWERING

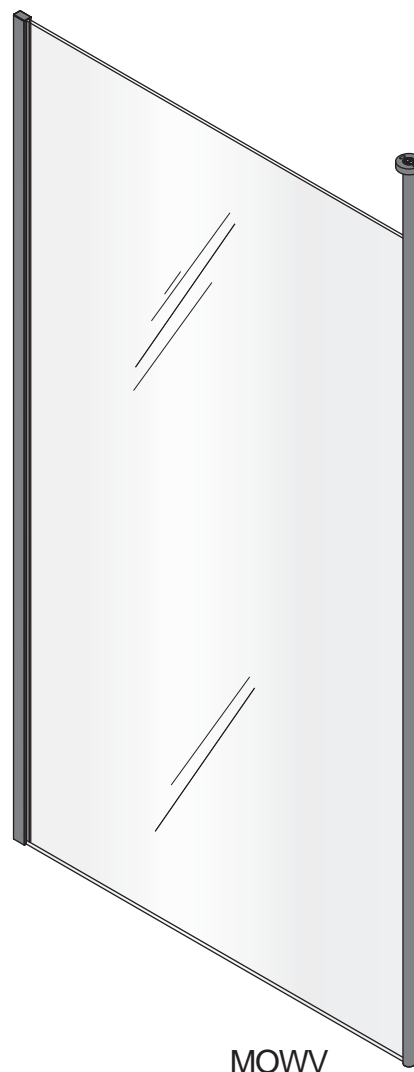
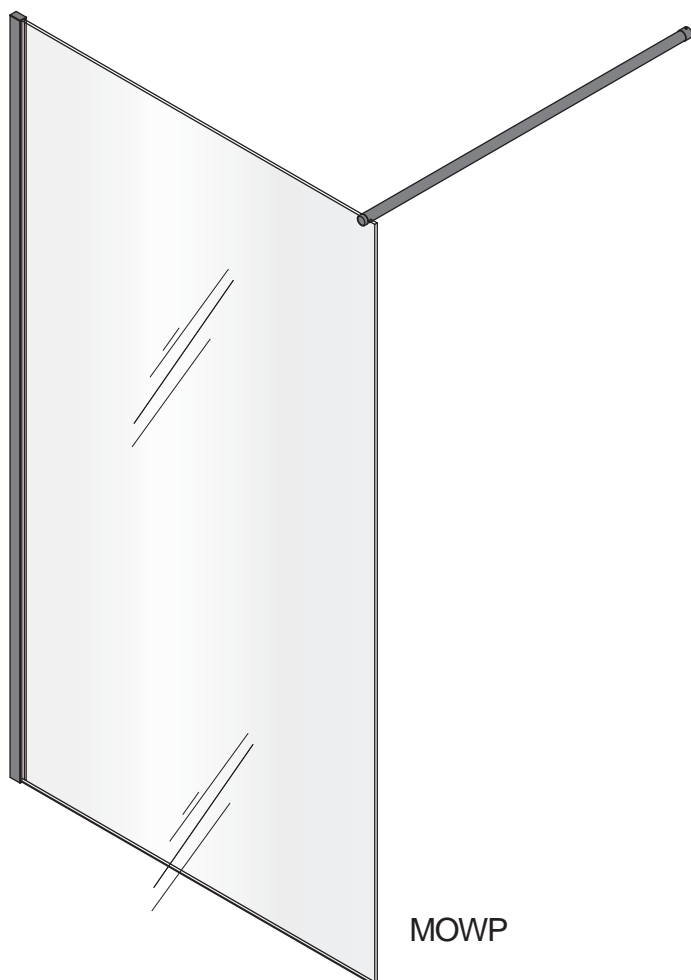
## MATKI ONE®

MOWP - WETROOM PANEL & BRACE BAR

MOWV - WETROOM PANEL & CEILING BAR

INSTALLATION

PARTS LIST



**MATKI PLC, CHURCHWARD ROAD, YATE, BRISTOL, BS37 5PL**  
TELEPHONE:01454 328816 (AFTER SALES) FAX:01454 328821 EMAIL: techsupport@matki.co.uk



# matki

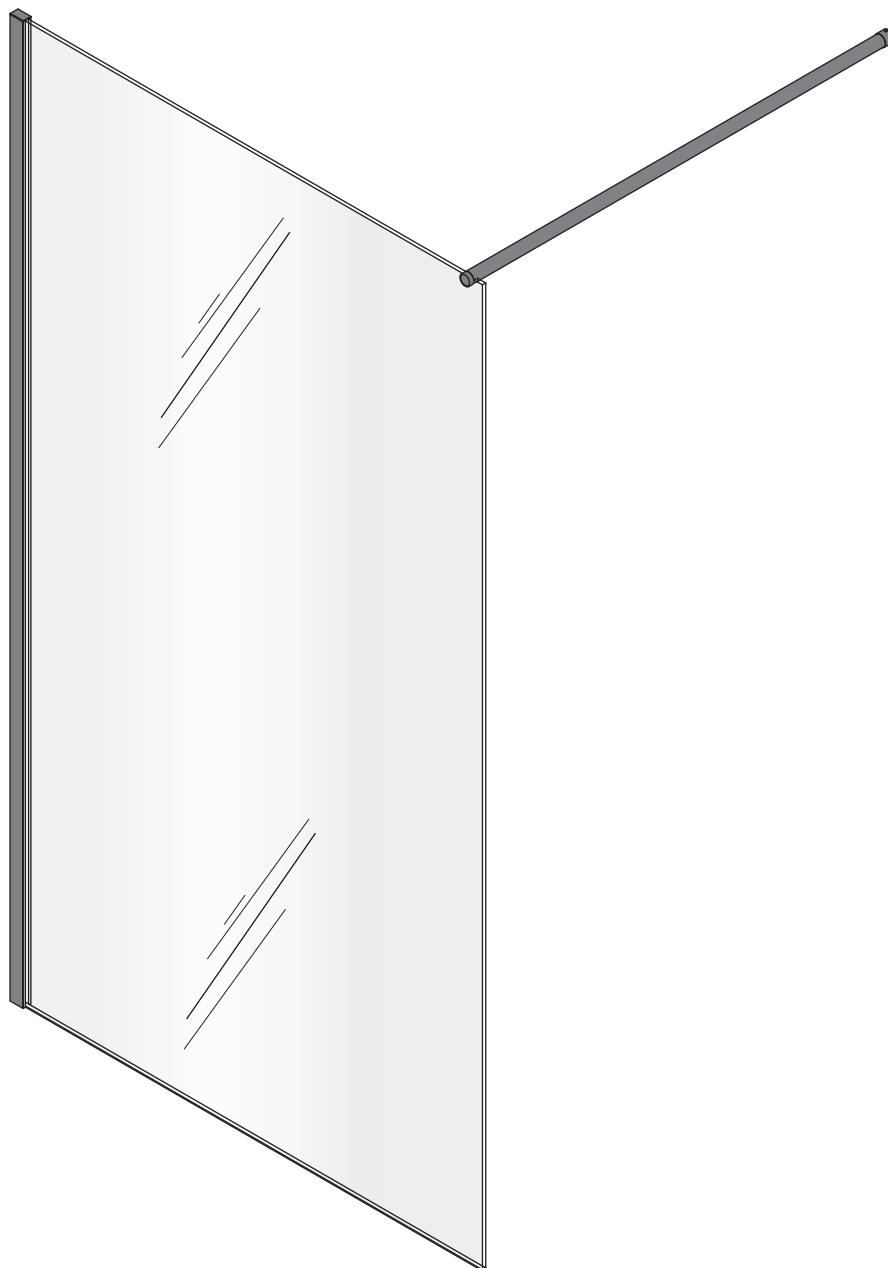
# SHOWERING

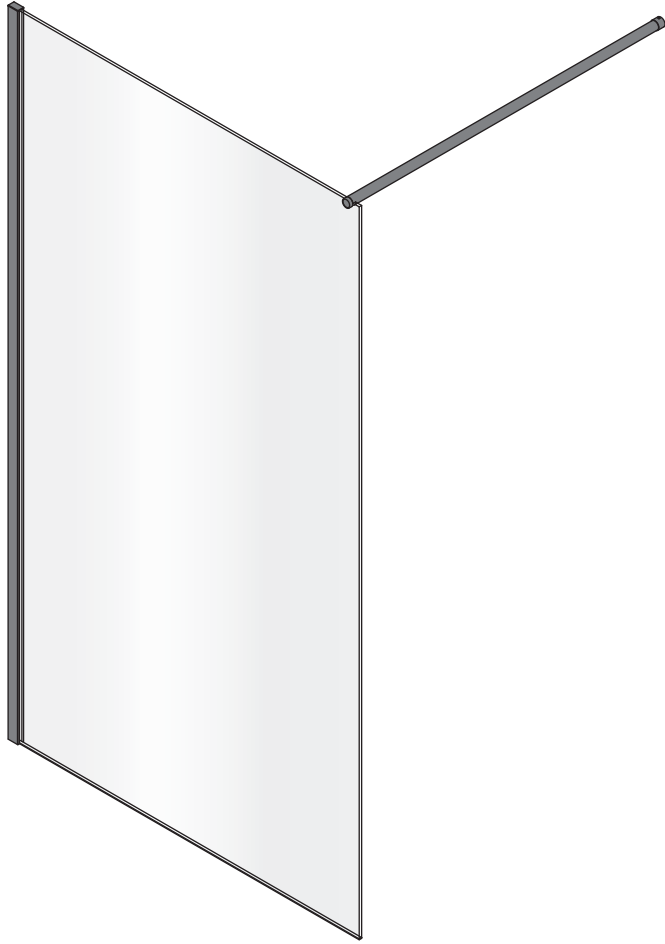
## MATKI ONE®

### MOWP - WETROOM PANEL & BRACE BAR

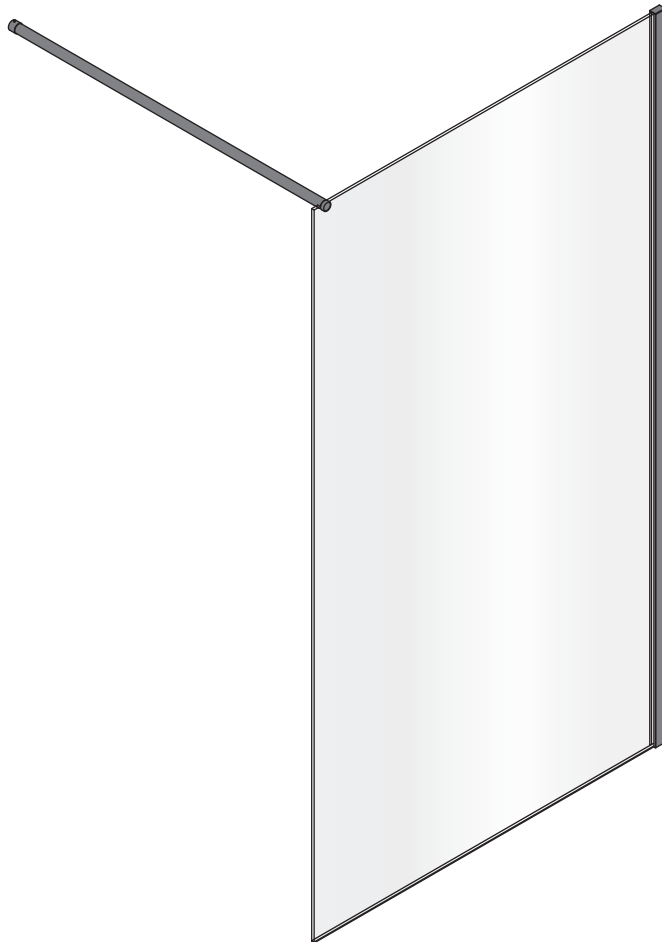
INSTALLATION

PARTS LIST





**MOWP LH**



**MOWP RH**

## IMPORTANT

## TOOLS REQUIRED

Masonry Drill bit 6mm, Tape Measure, Screw Drivers, Safety Glasses, Electric Drill, Level, Pencil, Adjustable Spanners, Non Slip Gloves, Saw

Before disposing of carton and/or commencing assembly, please check all the parts to ascertain that none are missing and they are all undamaged. No claim for missing/damaged parts will be accepted once the packing carton has been disposed of and/or assembly has commenced.

In case of query contact your Stockist with details of model number and details of serial number.

### PREPARATION IMPORTANT

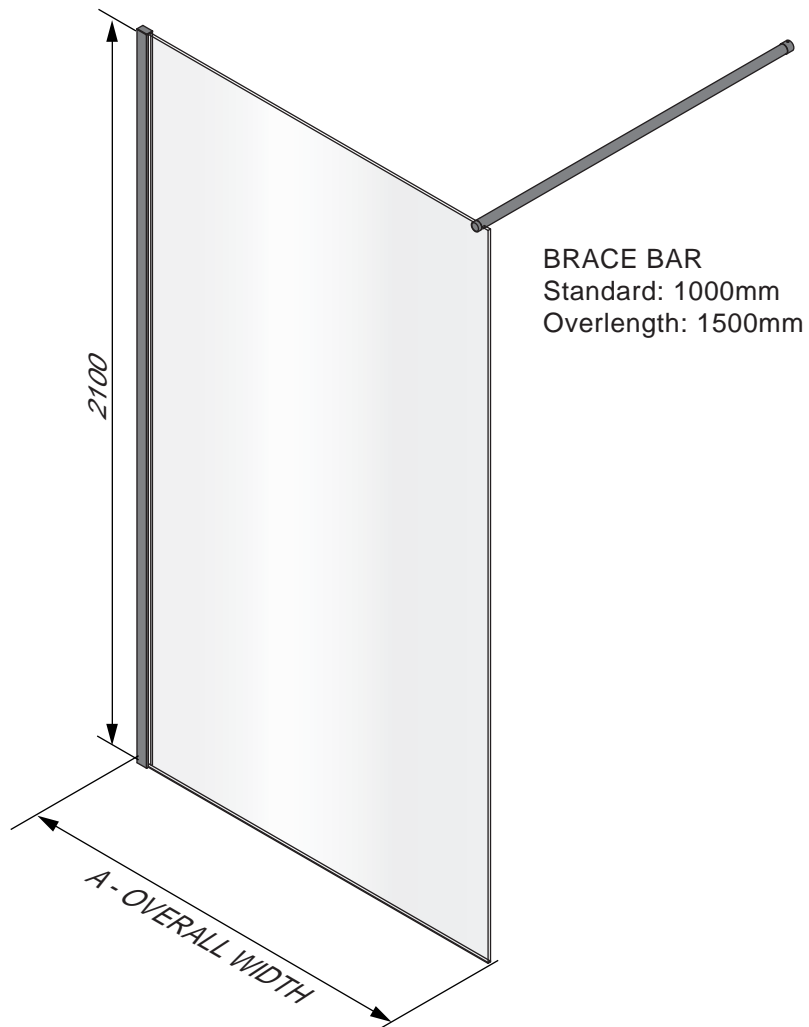
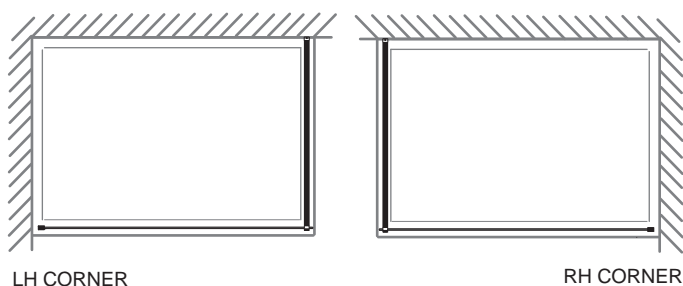
1. Please read complete installation instructions before fitting for enclosure and tray (if fitting).
2. We recommend the use of safety glasses and non slip gloves when handling the glass panels.
3. Ensure that the product can be **fixed** to a **solid masonry wall** or suitable **timber stud work grade C16/C24** in the area behind the wall frames.
4. Shower trays or tiled floors **must be absolutely level** where enclosures are fitted
5. If fitting a tray we recommend a **drainage test** is carried out before the tray is tiled in position.
6. The assembly should be installed onto a waterproof wall covering and installed after the tray and wall coverings are in place. Trays with tiling lips should be let into the wall with the tiling lip flush with the wall to allow the tiling to overlap the tiling lip.
7. Seal between tray and tiles. Remove any excess sealant from the area/joint between the tray and the tiles where the wall mount is to be fitted. This will ensure the wall mount fits correctly to the wall and tray/or tiled floor.

**CAUTION: TEMPERED GLASS CANNOT BE CUT, POLISHED METAL AND CHROME CAN BE SCRATCHED. CAREFULLY REMOVE ASSEMBLY FROM CARTON, DO NOT PLACE GLASS ON HARD FLOOR OR EXPOSE EDGES TO IMPACT. DO NOT CUT TOP TRACK IN ANY CIRCUMSTANCES.**

## DIMENSIONS

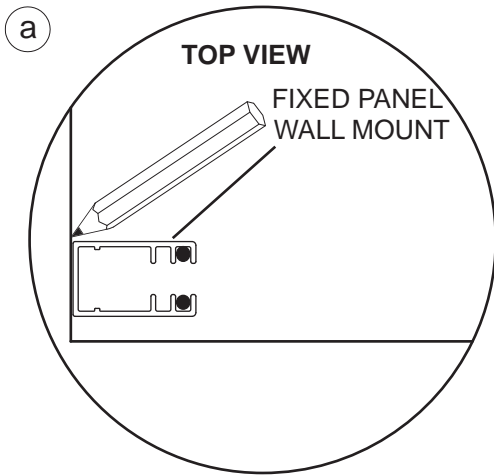
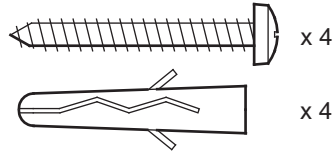
### MATKI ONE: WETROOM PANEL: WALL BRACE BAR

MODEL	A
MOWP500	455-470
MOWP700	655-670
MOWP850	805-820
MOWP900	855-870
MOWP1000	955-970
MOWP1100	1055-1070
MOWP1200	1155-1170
MOWP1400	1355-1370
MOWP1500	1455-1470

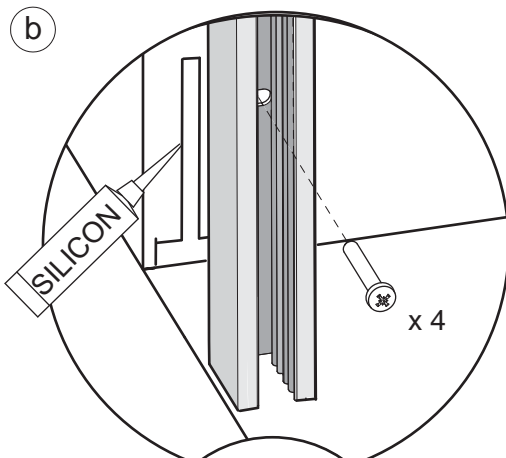
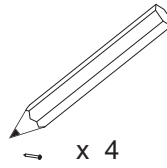


Dimensions are approximate

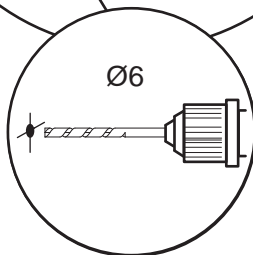
## STAGE 1



WALL MOUNT



x 4



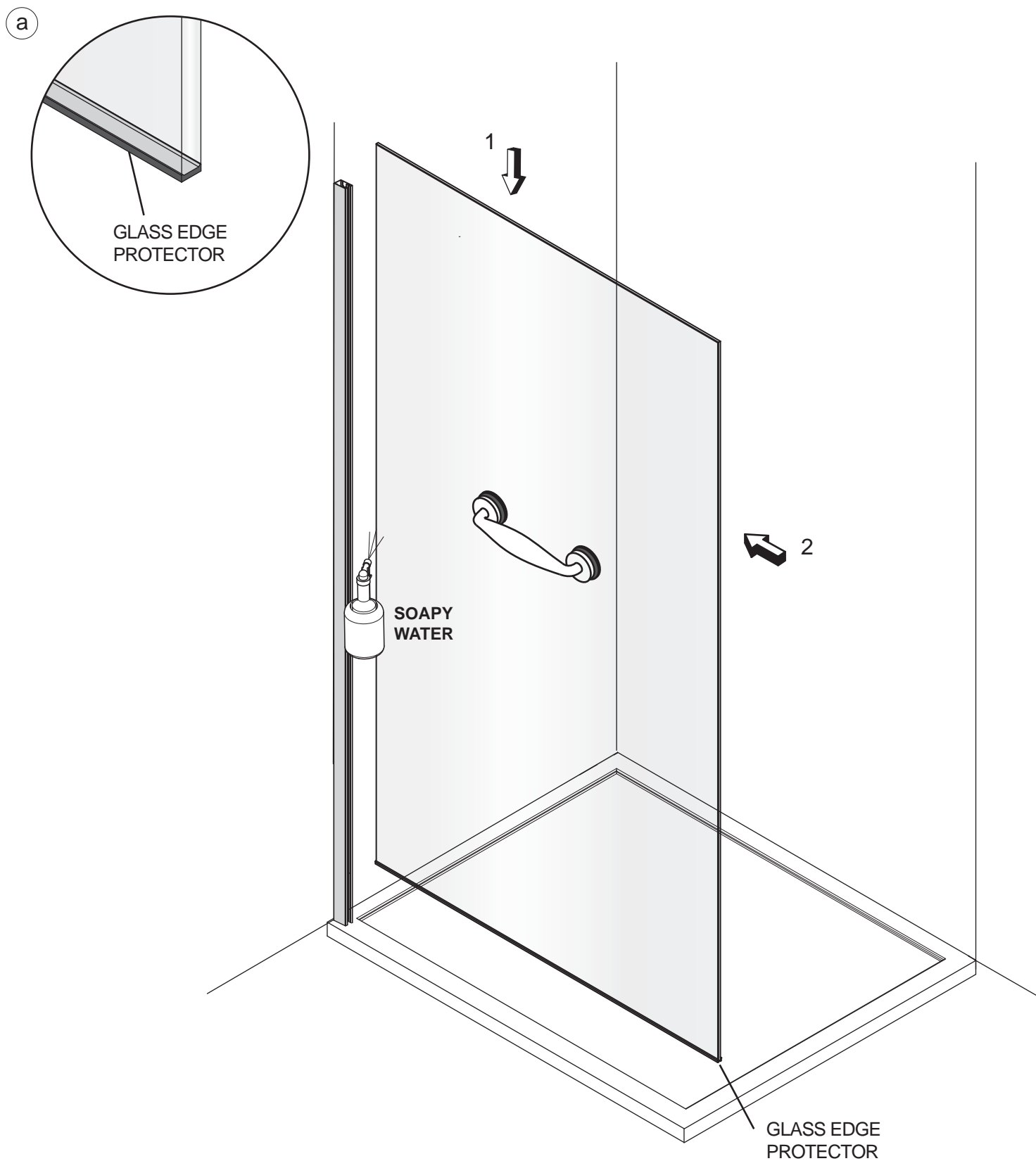
**This stage is describing the fitting of the wall mount.**

**Before fitting the enclosure, please check that your product will fit the finished aperture size.**

**(See dimensions)**

- Mark position for wall mount onto the wall. Check that this measurement is within the max and min width measurements. Position the side panel wall mount onto the wall. Plumb the wall mount for upright and mark the fixing holes in the centre of the slots.
- Drill 4 x fixing holes in the wall and insert wall plugs. Clean area and apply silicon sealant to the area behind the wall mount between the tray and tiles and 100mm up the wall, central to the width of the wall mount. Fit the wall mount using the No.8 x 32mm Pan Head Screws.

## STAGE 2

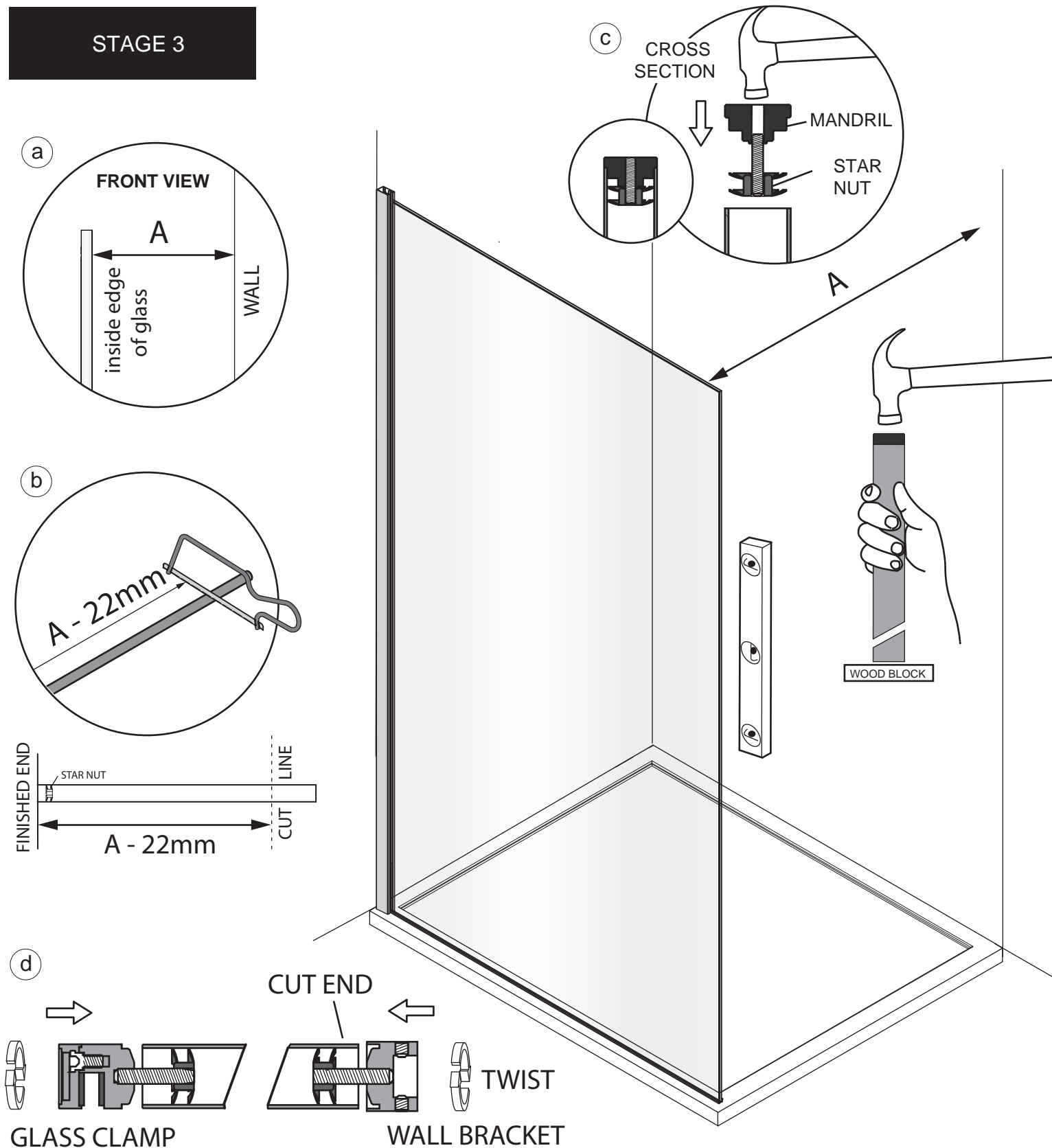


**This stage is describing the fitting of the glass panel.**

**a.** Make sure the glass guard edge is the downwards edge placed onto the tray.

**b.** Lightly wet the edge of the glass panel with soapy water and gently lower the panel down onto the tray/floor then along into the wall mount. Adjust accordingly into the wall mount.

## STAGE 3

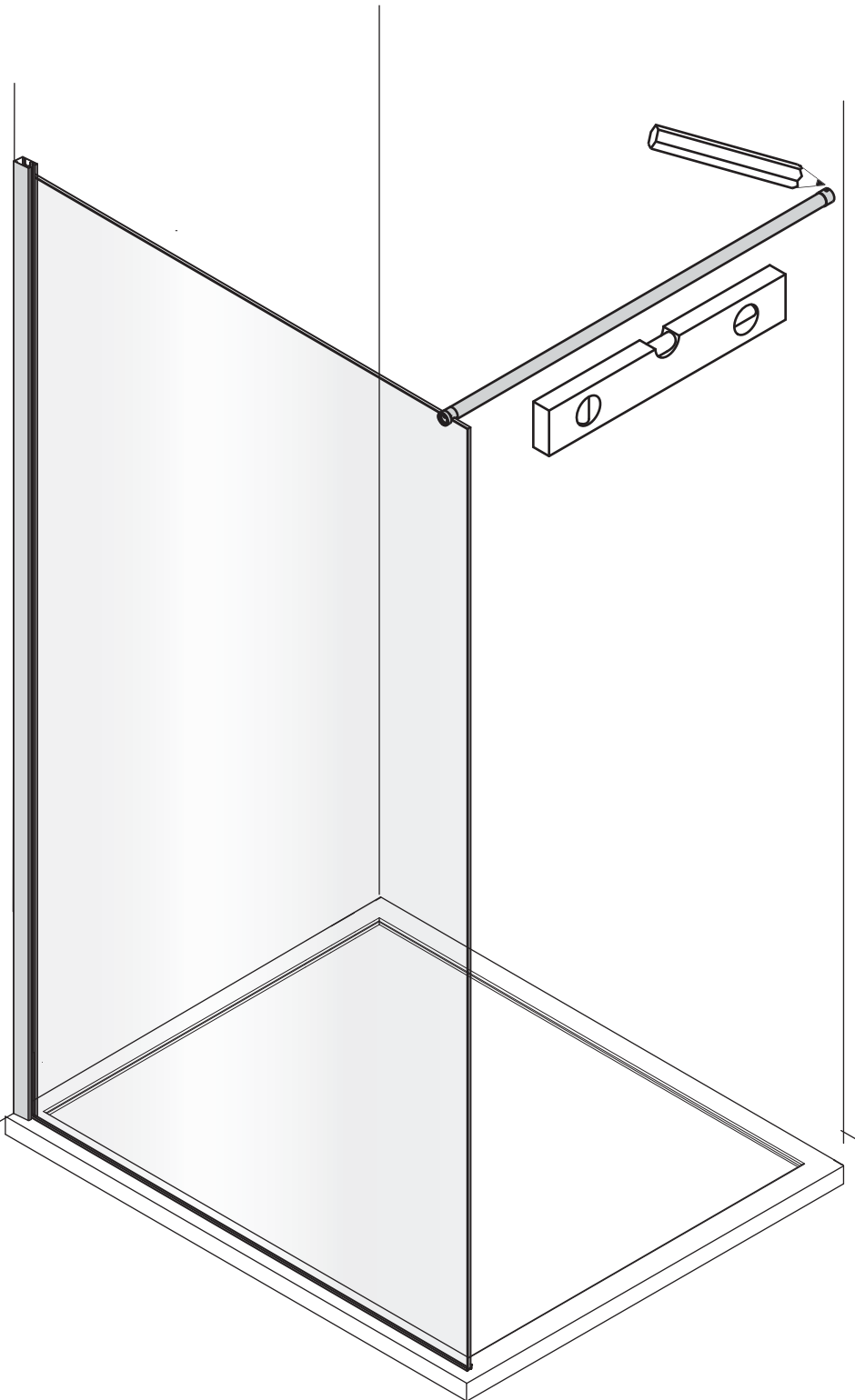
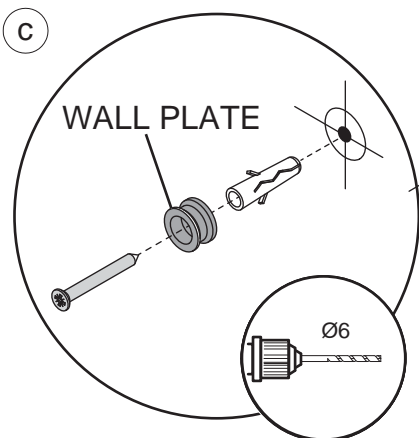
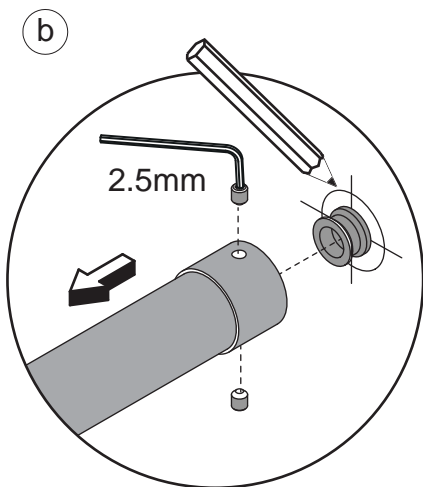
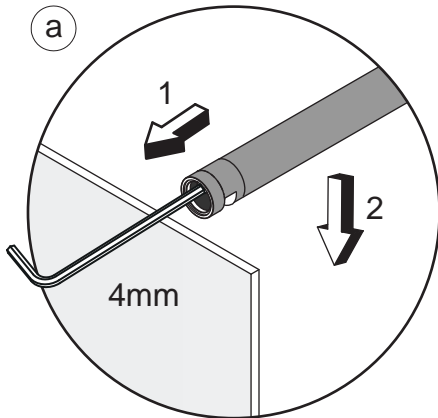
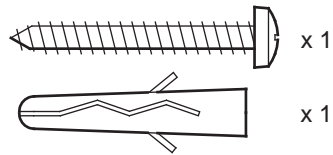


**This stage is describing the fitting of the brace bar.**

- a.** Measure the distance (A) between the inside edge of the glass panel and the opposite wall.
- b.** Measure and cut the brace bar down to the correct length (A - 22mm). Make sure to cut the end without a star nut inside.  
TIP: Place the Brace Bar on a block of wood to protect the coated end from being damaged.
- c.** Using a Hammer and Mandril (found in the kit of parts), tap the Start Nut (found in the kit of parts) into the cut end of the Brace Bar tube. Make sure the wings on the star nut are curved towards you, out of the tube.
- d.** Twist the Glass Clamp assembly (found in the kit of parts) onto the coated/coloured end, which was uncut and had the star nut inside already.  
Twist the Wall Bracket assembly (found in the kit of parts) onto the end you just cut and hammered a star nut into.



## STAGE 4



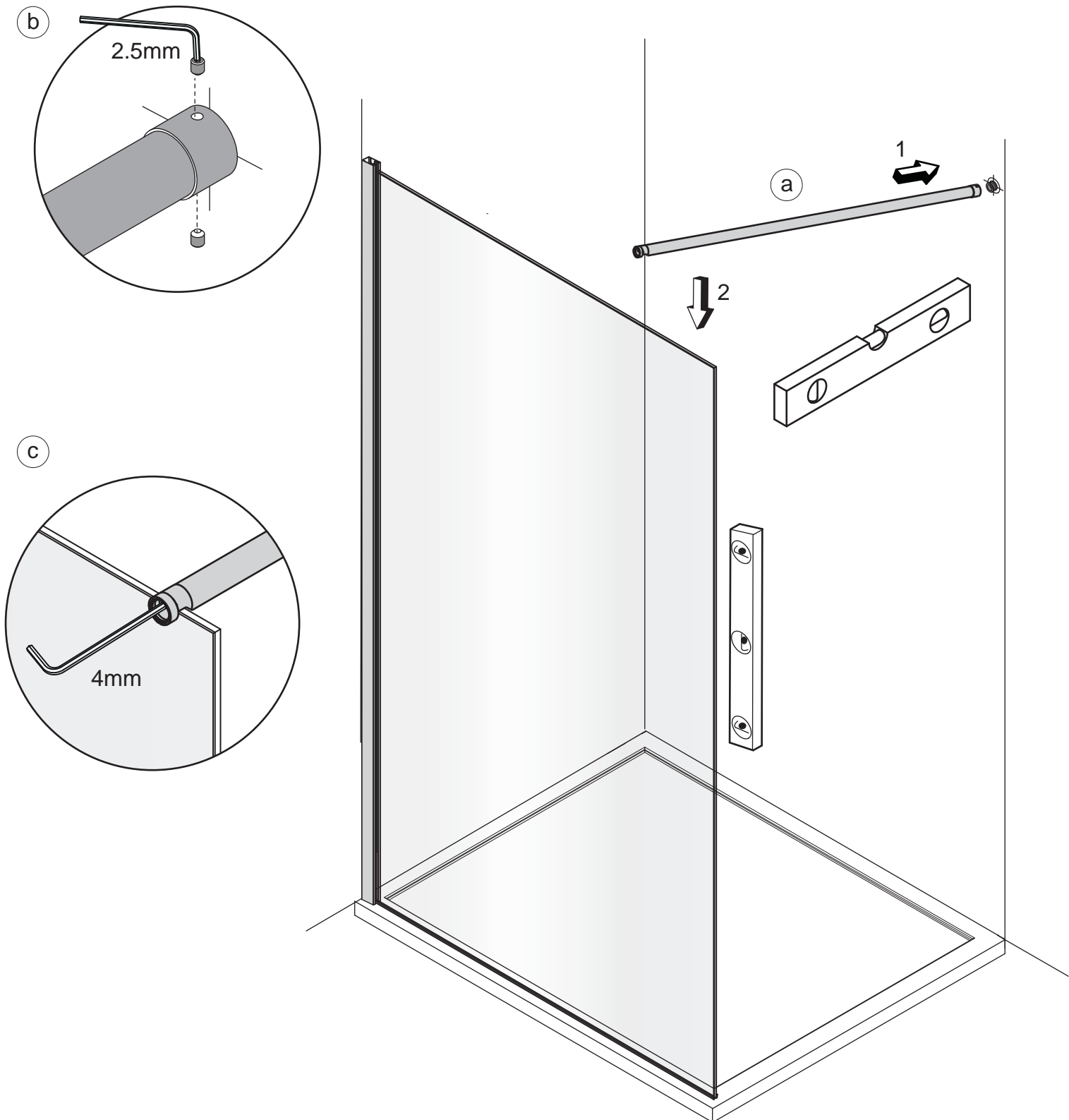
### This stage is describing the fitting of the wall plate.

**a.** Fit the Brace Bar over the top of the glass panel. This may require loosening the Fixed Bracket using a 4mm Allen key.

**b.** Making sure the bar is Horizontal, mark on the wall around the Wall Plate. Remove the Brace Bar. Centralise the Wall Plate and mark the hole.

**c.** Drill 1 x fixing hole in the wall and insert wall plug. Clean the area. Then attach the Wall Plate using the No.8 x 32mm Pan Head Screw provided in the kit of parts.

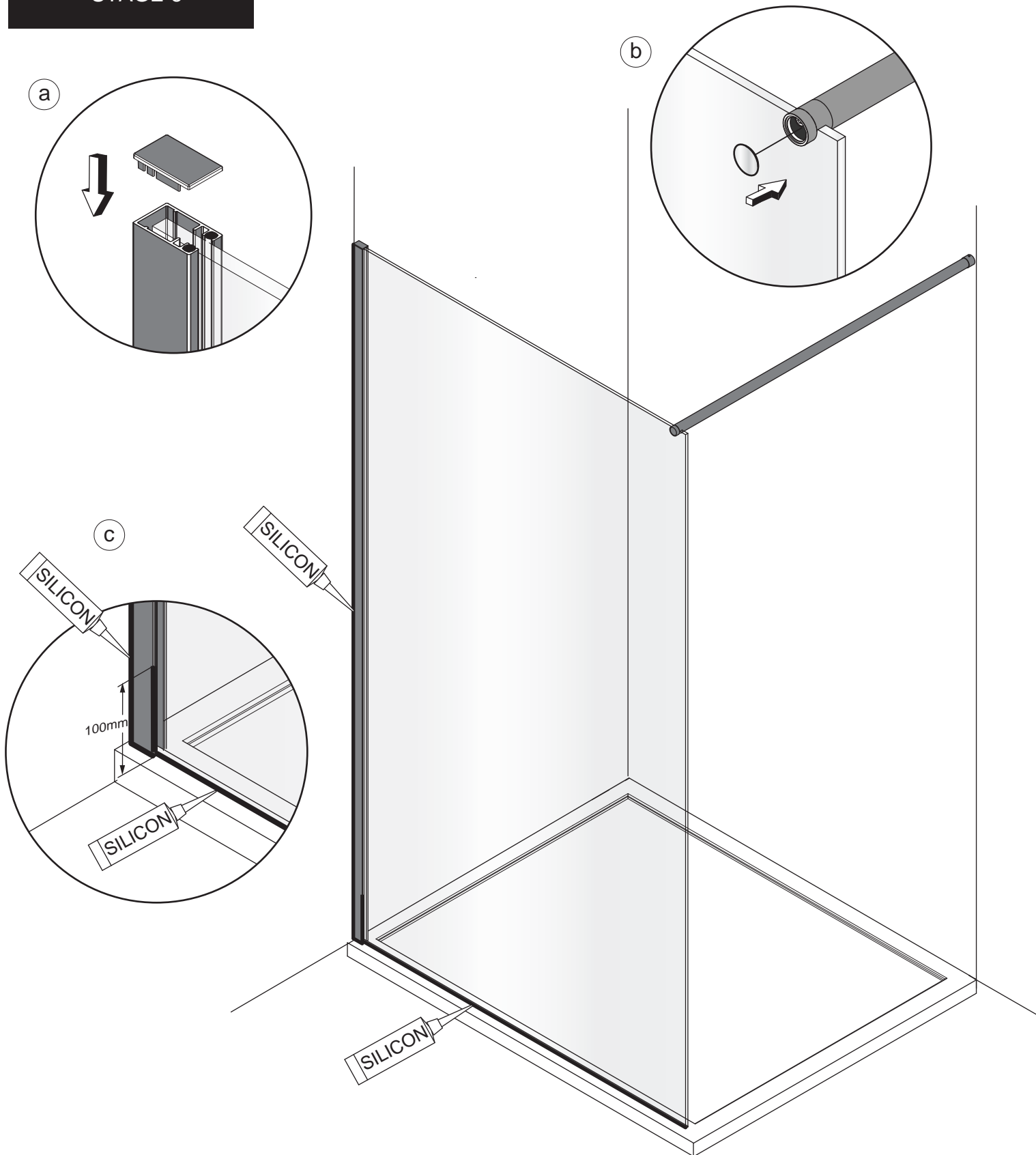
## STAGE 5



**This stage is describing the fitting of the brace bar.**

- a.** Slot the end of the Brace Bar over the Wall Plate first, then place the Fixed Bracket end over the top of the glass panel.
- b.** Secure the Brace Bar onto the Wall Plate by tightening the two grub screws using a 2.5mm Allen key.
- c.** Tighten the Fixed Bracket onto the glass panel using a 4mm Allen Key.

## STAGE 6



**This stage is describing sealing of the unit.**

**a.** Fit the wall mount top cap (supplied in the kit of parts) to the top of the wall mount.

**b.** Fit the cover cap (supplied in the kit of parts), press firmly into the end of the brace bar.

**c.** Apply a thin bead of silicon along the bottom edge of the wall mount and all the way up the outside of the wall mount and the tiles. Continue around the joint and also 100mm up on the outside where the wall mount and glass meet.

# PARTS LIST

\* COLOUR VARIANT ON PARTS

## MOWP MAIN SLIDER PACK

ITEM	DESCRIPTION	PART No	QTY
1	STRAIGHT GLASS	3910 M CLEAR / PLAIN (MODEL 500) 3906 M CLEAR / PLAIN (MODEL 700) 3929 M CLEAR / PLAIN (MODEL 850) 3912 M CLEAR / PLAIN (MODEL 900) 3927 M CLEAR / PLAIN (MODEL 1000) 3907 M CLEAR / PLAIN (MODEL 1100) 3928 M CLEAR / PLAIN (MODEL 1200) 3908 M CLEAR / PLAIN (MODEL 1400) 3909 M CLEAR / PLAIN (MODEL 1500)	1
*2	WALL MOUNT PANEL	8854 A SILVER / 8854 BLACK / 8854 C WHITE / 8854 BRONZE	1
3	5mm FOAM BEAD	1752 AF	2
4	GLASS EDGE PROTECTOR (MATKI ONE WETROOM PANEL 1200)	GLASS DEPENDENT	1
*5	PANEL CLAMP BAR	8850 A SILVER / 8850 BLACK / 8850 C WHITE / 8850 M MILL	1

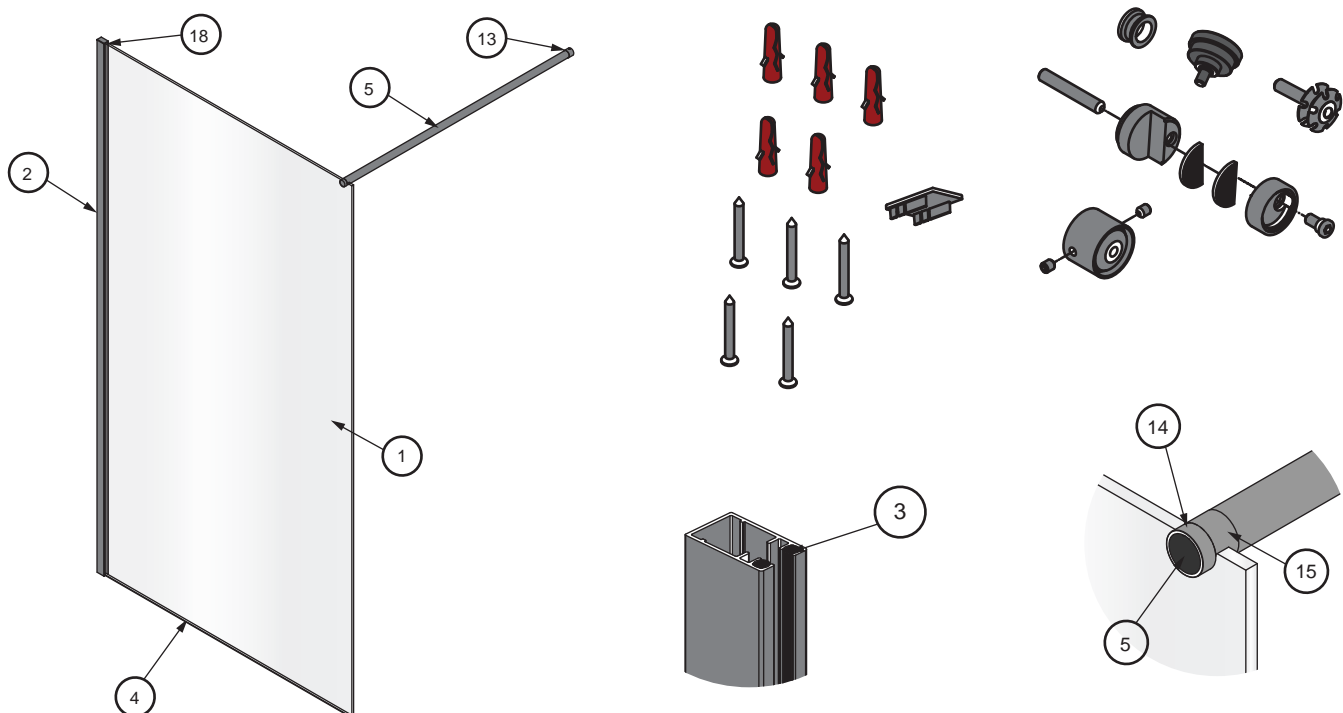
## MOWP KIT OF PARTS 8912 AF/COPPER/BRASS

ITEM	DESCRIPTION	PART No	QTY
6	WALL PLATE	1485 AF	1
7	STAR FANGLED NUT M6 x 25 TUI095	TUI095 - OIL	1
8	M6 x 40 SOCKET SET SCREW	1515 A SILVER	1
9	WETROOM PANEL CLAMP PAD	8890 AF	2
*10	PANEL BRACE BAR CAP CLAMP	8697 A SILVER / 8697 BRASS / 8697 COPPER	1
*11	PANEL BRACE BAR CLAMP BODY	8695 A SILVER / 8695 BRASS/ 8695 COPPER	1
12	PIVOT BLOCK ADJUSTER SCREW	8261 AF	1
*13	BRACE BAR CLAMP BODY	8696 A SILVER / 8696 BRASS / 8696 COPPER	1
14	M5 x 6 SOCKET SET SCREW ST/ST	1502 A SILVER	2
15	TUBE MANDREL	8624 BLACK	1
*16	HANDLE CAP	8402 BLACK/ 8402 C WHITE/ 8400 A SILVER/ 8400 BRASS/ 8400 COPPER	1
17	ALLEN KEYS 2.5mm, 4mm	1166 AF / 1168 AF	1
18	M6 X 20 SOCKET CUP SCREW	1270 AF	1

## UNIVERSAL KIT OF PARTS 8910 AF

ITEM	DESCRIPTION	PART No	QTY
19	CURVED WALL MOUNT CAP	8446 A SILVER	1
20	No. 8 x 32 PAN HEAD SCREW	1471 A SILVER	6
21	WALL PLUG	1818 AF	6
22	CLEAR MATKI SEALANT 78g WITH LOGO	1967 AF	2
23	MATKI ONE WETROOM PANEL INSTRUCTIONS	1196AF	1

## DISC DETAIL PACK 7393 AF

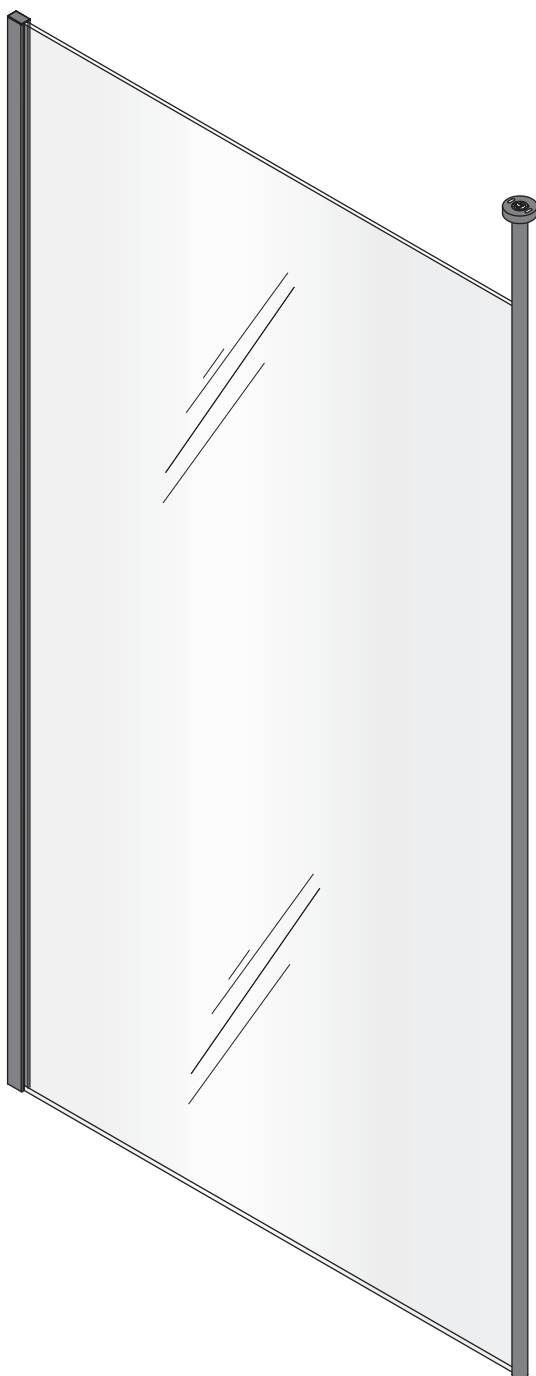


# matki | SHOWERING

## MATKI ONE<sup>®</sup> MOWV- WETROOM PANEL & CEILING BAR

INSTALLATION

PARTS LIST





**MOWV LH**



**MOWV RH**

## IMPORTANT

## TOOLS REQUIRED

Masonry Drill bit 6mm, Tape Measure, Screw Drivers, Safety Glasses, Electric Drill, Level, Pencil, Adjustable Spanners, Non Slip Gloves, Saw

Before disposing of carton and/or commencing assembly, please check all the parts to ascertain that none are missing and they are all undamaged. No claim for missing/damaged parts will be accepted once the packing carton has been disposed of and/or assembly has commenced.

In case of query contact your Stockist with details of model number and details of serial number.

### PREPARATION IMPORTANT

1. Please read complete installation instructions before fitting for enclosure and tray (if fitting).
2. We recommend the use of safety glasses and non slip gloves when handling the glass panels.
3. Ensure that the product can be **fixed to a solid masonry wall** or suitable **timber stud work grade C16/C24** in the area behind the wall frames.
4. Shower trays or tiled floors **must be absolutely level** where enclosures are fitted
5. If fitting a tray we recommend a **drainage test** is carried out before the tray is tiled in position.
6. The assembly should be installed onto a waterproof wall covering and installed after the tray and wall coverings are in place. Trays with tiling lips should be let into the wall with the tiling lip flush with the wall to allow the tiling to overlap the tiling lip.
7. Seal between tray and tiles. Remove any excess sealant from the area/joint between the tray and the tiles where the wall mount is to be fitted. This will ensure the wall mount fits correctly to the wall and tray/or tiled floor.

**CAUTION: TEMPERED GLASS CANNOT BE CUT, POLISHED METAL AND CHROME CAN BE SCRATCHED. CAREFULLY REMOVE ASSEMBLY FROM CARTON, DO NOT PLACE GLASS ON HARD FLOOR OR EXPOSE EDGES TO IMPACT. DO NOT CUT TOP TRACK IN ANY CIRCUMSTANCES.**

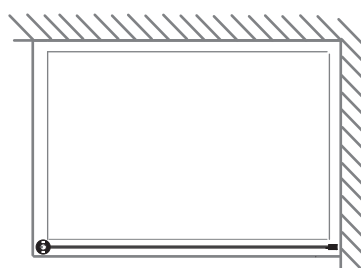
## DIMENSIONS

### MATKI ONE: WETROOM PANEL: CEILING BRACE BAR

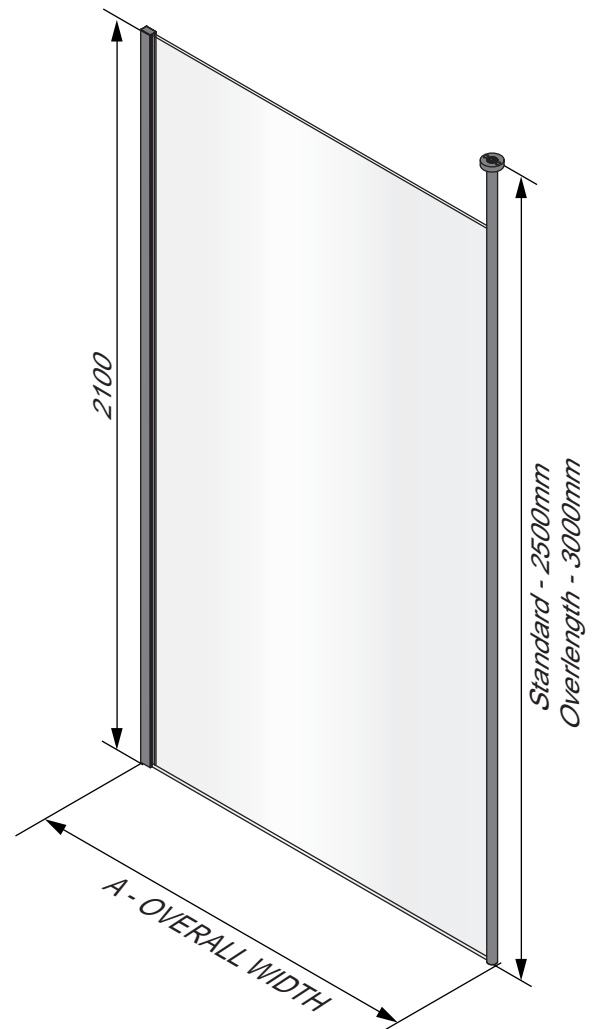
MODEL	A
MOWV500	467-482
MOWV700	667-682
MOWV850	817-832
MOWV900	867-882
MOWV1000	967-982
MOWV1100	1067-1082
MOWV1200	1167-1182
MOWV1400	1367-1382
MOWV1500	1467-1482



LH CORNER

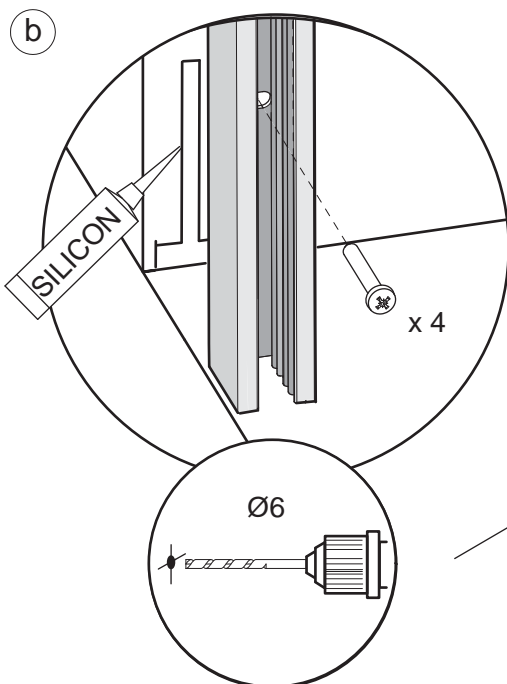
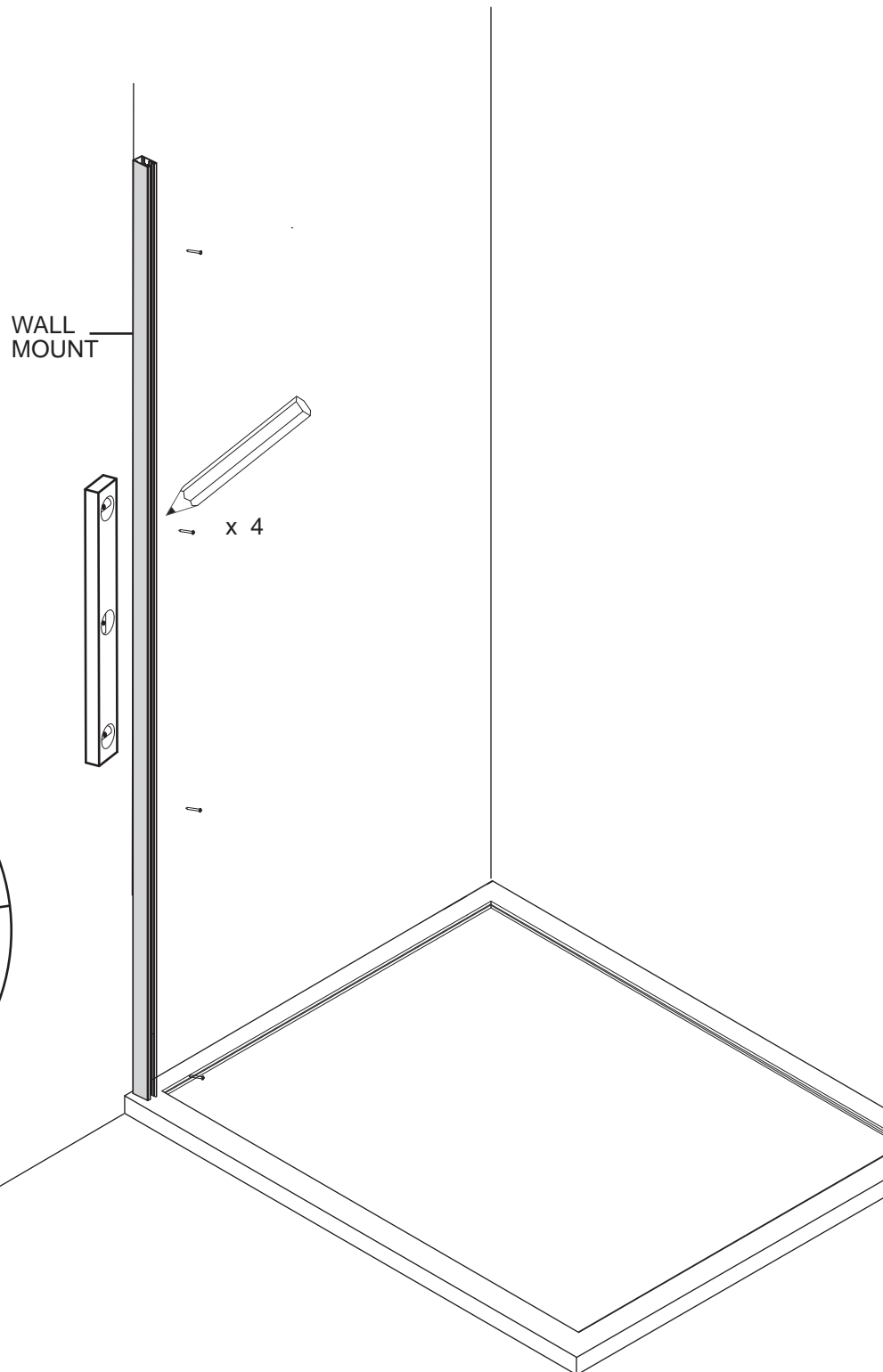
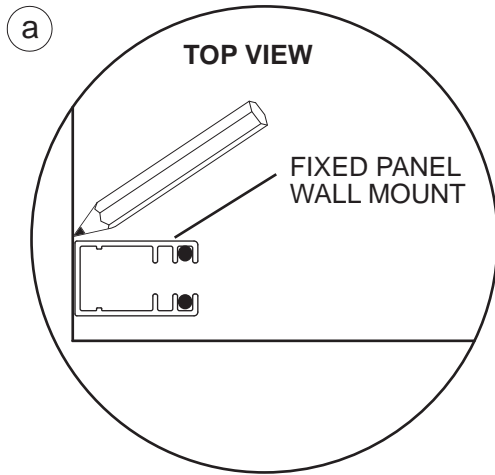
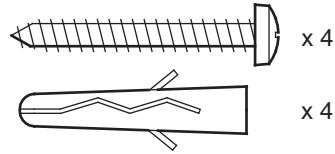


RH CORNER



Dimensions are approximate

## STAGE 1



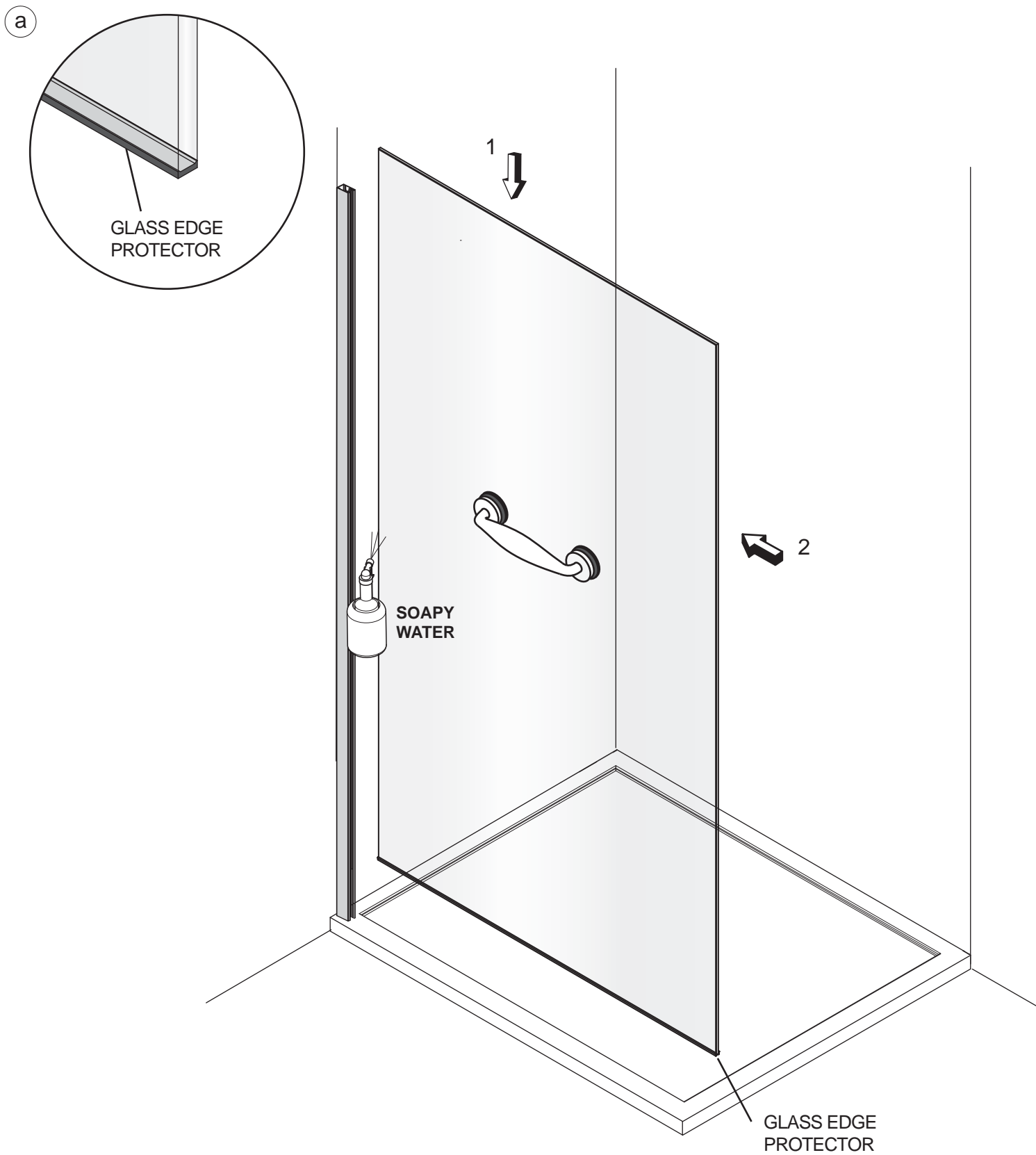
**This stage is describing the fitting of the wall mount.**

**Before fitting the enclosure please check that your product will fit the finished aperture size. (See dimensions)**

- a.** Mark position for wall mount onto the wall. Check that this measurement is within the max and min width measurements. Position the side panel wall mount onto the wall. Plumb the wall mount for upright and mark the fixing holes in the centre of the slots.
- b.** Drill 4 x fixing holes in the wall and insert wall plugs. Clean area and apply silicon sealant to the area behind the wall mount between the tray and tiles and 100mm up the wall, central to the width of the wall mount. Fit the wall mount using the No.8 x 32mm Pan Head Screws.



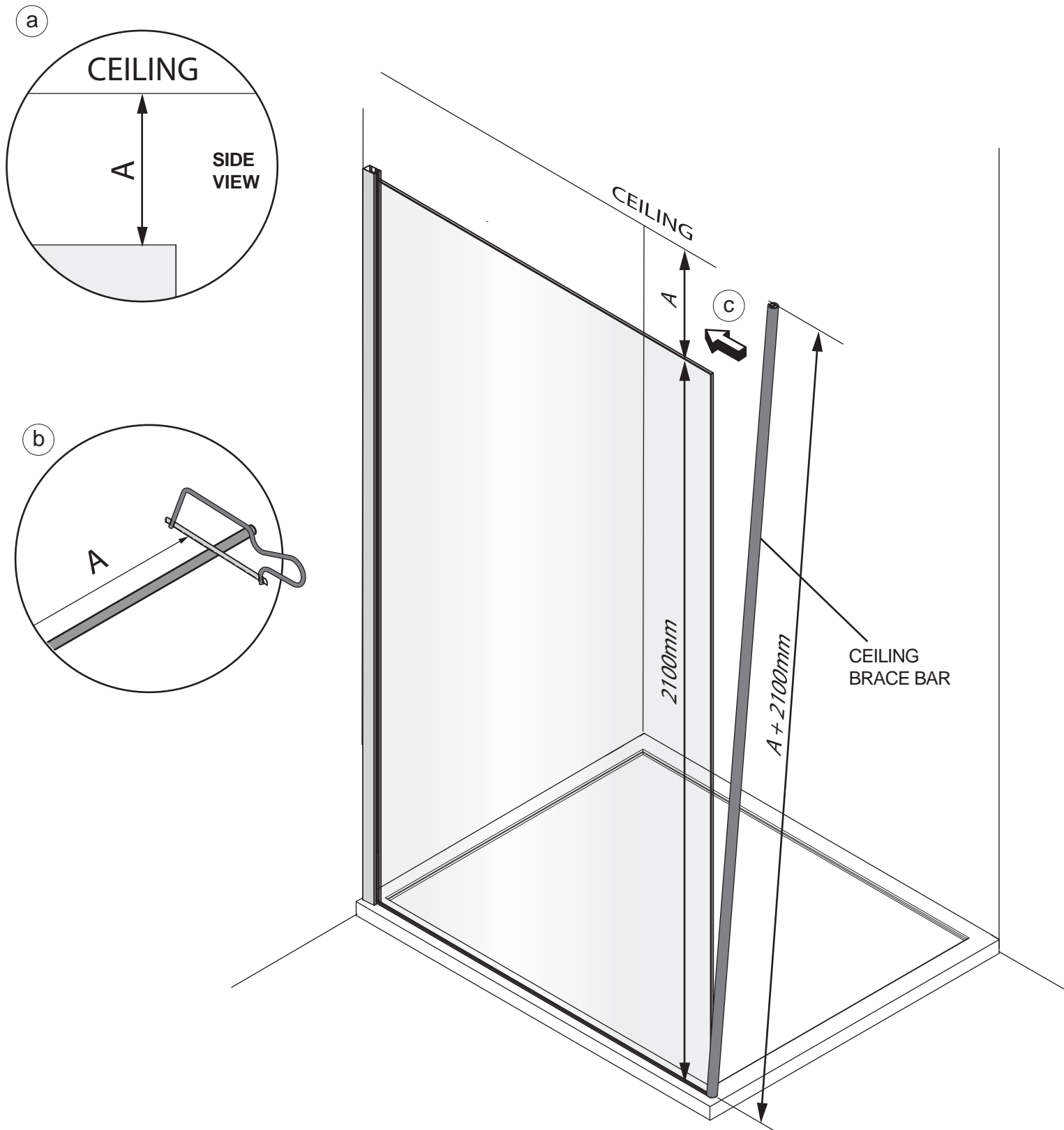
## STAGE 2



**This stage is describing the fitting of the glass panel.**

- a.** Make sure the Glass Edge Protector is the downwards edge, placed onto the tray.
- b.** Lightly wet the edge of the glass panel with soapy water and gently lower the panel down onto the tray/floor then along into the wall mount. Adjust accordingly into the wall mount.

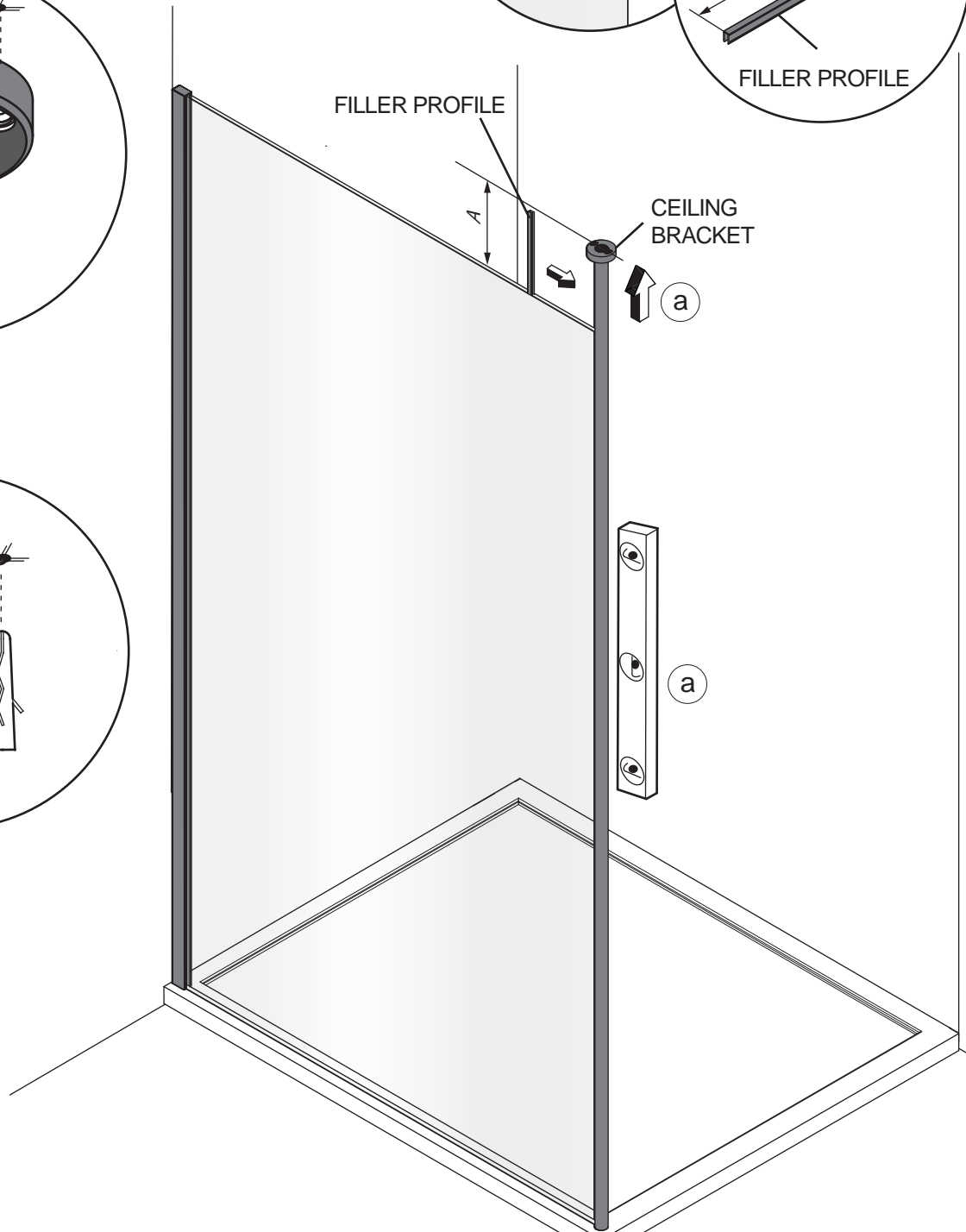
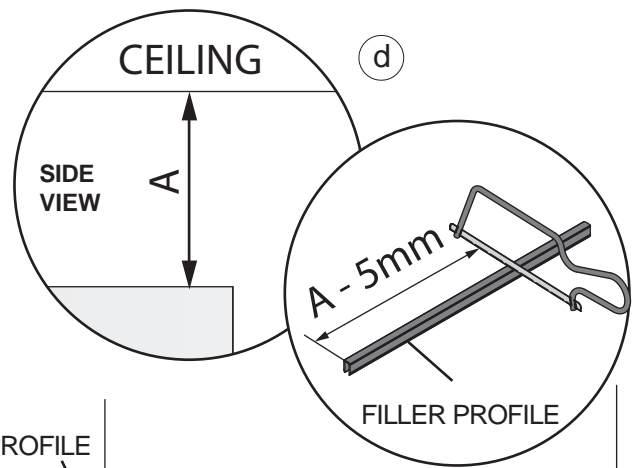
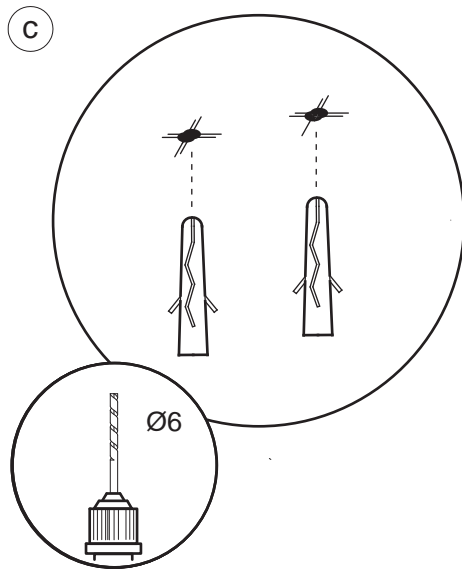
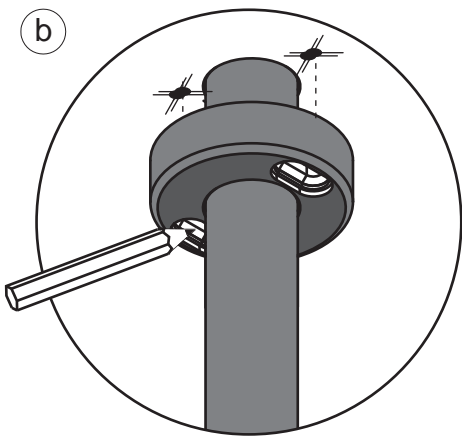
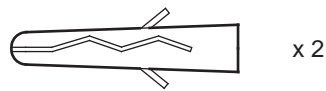
## STAGE 3



**This stage is describing the fitting of the ceiling brace bar.**

- a.** Measure the distance, A, between the top of the glass panel and the ceiling at the end of the glass panel.
- b.** Measure and cut the Ceiling Brace Bar down to the correct length ( $A + 2100mm$ ).
- c.** Check the height of the Ceiling Brace Bar in position before continuing.

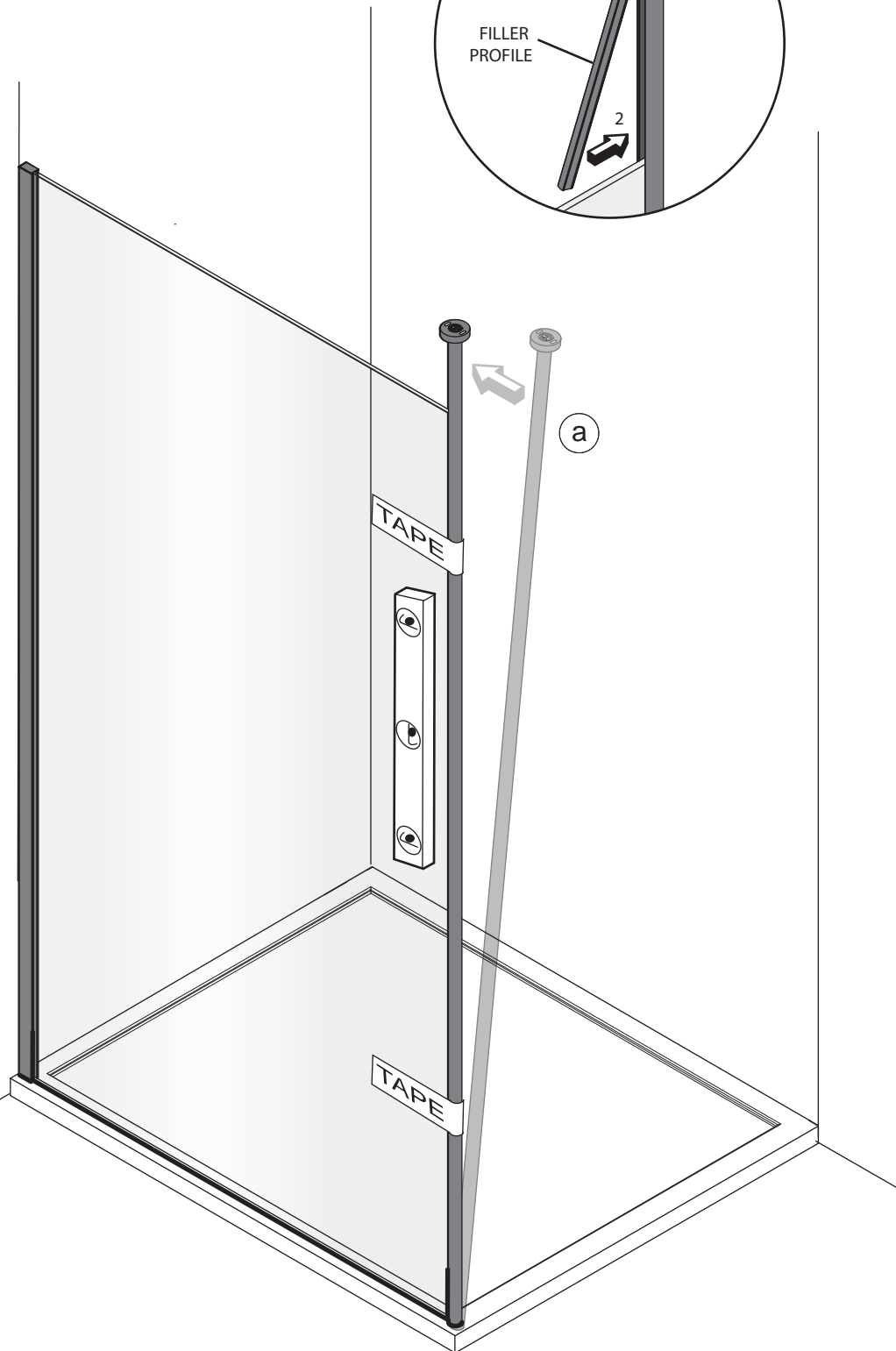
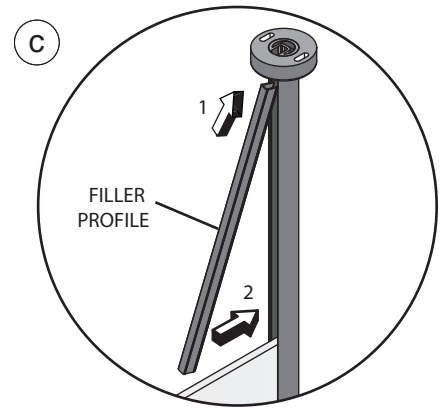
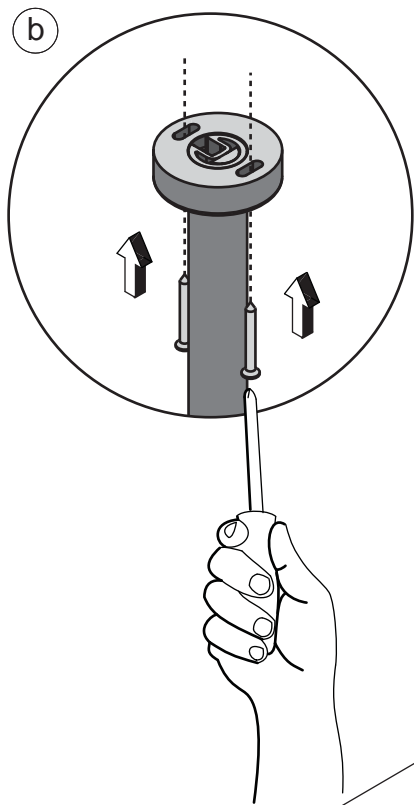
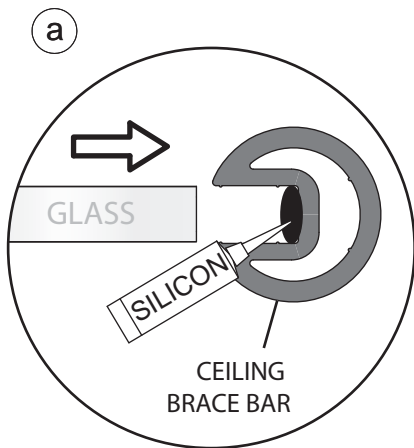
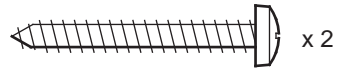
## STAGE 4



### This stage is describing the fitting of the Ceiling Bracket.

- Slide the Ceiling Bracket onto the top end of the Ceiling Brace Bar. Position the Ceiling Brace Bar on the end of the glass, make sure the Ceiling Brace Bar is vertical before proceeding.
- Hold the Ceiling Brace Bar in the correct position and slide the Ceiling Bracket up to the ceiling. Mark the position of the screw slots in the Ceiling Bracket. Remove the Ceiling Brace Bar and Bracket.
- Drill 2 x fixing holes in the wall and insert wall plugs. Clean the area.
- Measure the distance, A, between the top of the glass panel and the ceiling at the end of the glass panel (this should be the same as Stage 3). Measure and cut the Ceiling Brace Bar down to the correct length (A-5mm).

## STAGE 5



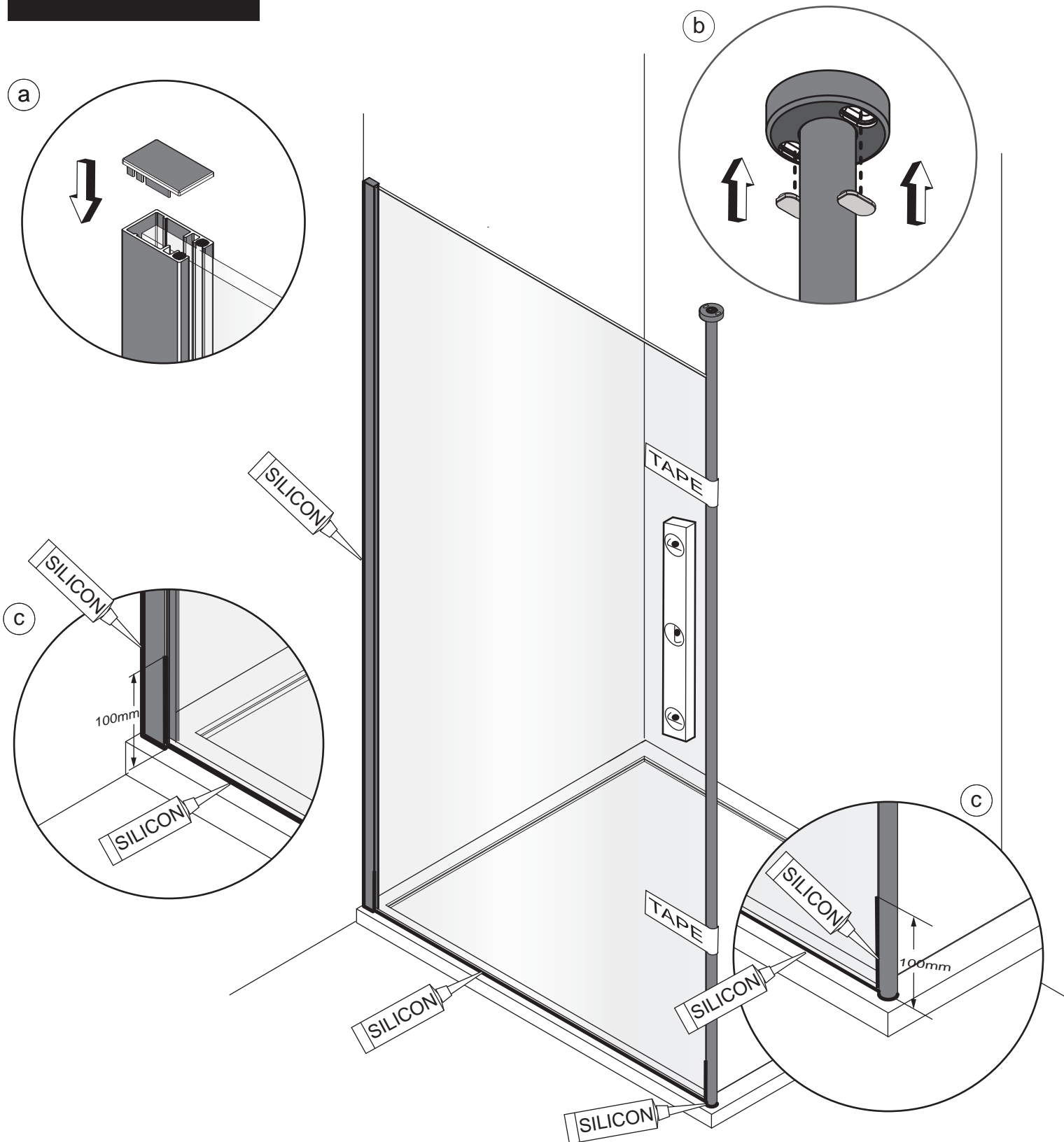
### This stage is describing sealing of the unit.

**a.** Apply Silicon up the back of Ceiling Brace Bar. Check the Ceiling Brace Bar is vertical before temporarily securing in place with Tape, til dry.

**b.** Secure the Ceiling Brace Bar in position by fitting the Ceiling Bracket using the No.8 x 32mm Pan Head Screws.

**c.** Fit the Filler Profile into place. Slot the cut end up into the Ceiling Bracket before pushing the Filler Profile flush into the Ceiling Brace Bar.

## STAGE 6



### This stage is describing sealing of the unit.

- Fit the wall mount top cap (supplied in the kit of parts) to the top of the wall mount.
- Fit the ceiling bracket slot caps (supplied in the kit of parts) to the Ceiling Bracket.
- Apply a thin bead of silicon along the bottom edge of the wall mount and all the way up the outside of the wall mount and the tiles. Continue around the joint and also 100mm up on the outside where the wall mount and glass meet. Continue the silicon around the corner joint where the threshold meets the corner extrusion and also 100mm up on the outside where the wall mount and glass meet.

# PARTS LIST

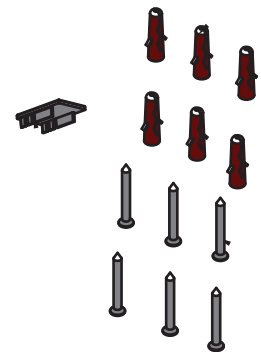
\* COLOUR VARIANT ON PARTS

## MOWV MAIN PACK

ITEM	DESCRIPTION	PART No	QTY
1	STRAIGHT GLASS	3910 M CLEAR / PLAIN (MODEL 500) 3906 M CLEAR / PLAIN (MODEL 700) 3929 M CLEAR / PLAIN (MODEL 850) 3912 M CLEAR / PLAIN (MODEL 900) 3927 M CLEAR / PLAIN (MODEL 1000) 3907 M CLEAR / PLAIN (MODEL 1100) 3928 M CLEAR / PLAIN (MODEL 1200) 3908 M CLEAR / PLAIN (MODEL 1400) 3909 M CLEAR / PLAIN (MODEL 1500)	1
*2	WALL MOUNT PANEL	8854 A SILVER / 8854 BLACK / 8854 C WHITE / 8854 BRONZE	1
3	5mm FOAM BEAD	1752 AF	2
4	GLASS EDGE PROTECTOR (MATKI ONE WETROOM PANEL 1200)	GLASS DEPENDENT	1
5	METAL BRACE ROD	8905 AF	1
6	M4 x 8 SOCKET SET SCREW	1499 A SILVER	3
*7	WETROOM PANEL CEILING BAR	8852 A SILVER / 8852 BLACK / 8852 C WHITE / 8852 BRONZE	1
*8	VERTICAL FILLER BLOCK	8853 A SILVER / 8853 BLACK / 8853 C WHITE / 8853 BRONZE	1

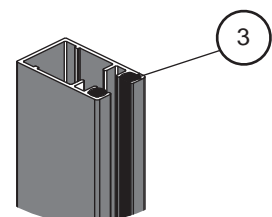
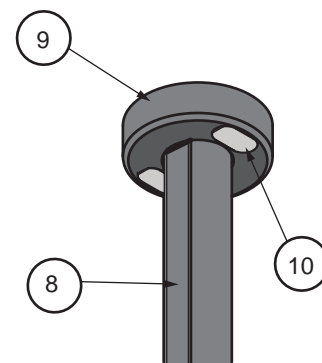
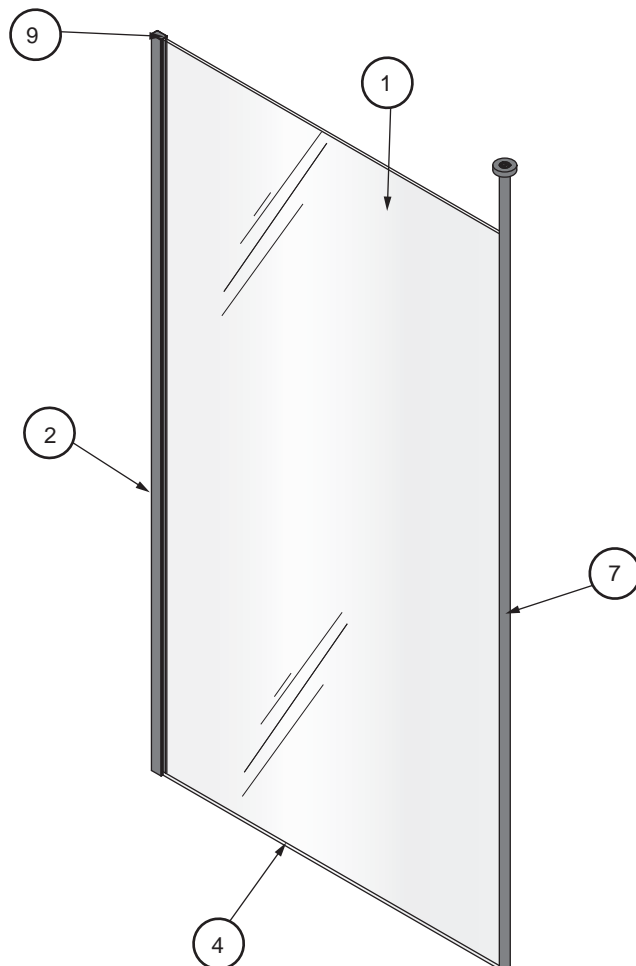
## MOWV KIT OF PARTS 8911 AF

ITEM	DESCRIPTION	PART No	QTY
9	PANEL CEILING BRACKET	8915 AF	1
10	HINGE BRACKET CAP	5579 A SILVER	2
11	BS4518 O-Ring	7515 AF	2



## UNIVERSAL KIT OF PARTS 8910 AF

ITEM	DESCRIPTION	PART No	QTY
12	CURVED WALL MOUNT CAP	8446 A SILVER	1
13	No. 8 x 32mm PAN HEAD SCREW	1471 A SILVER	6
14	WALL PLUG	1818 AF	6
15	CLEAR MATKI SEALANT 78g WITH LOGO	1967 AF	2
16	MATKI ONE WETROOM PANEL INSTRUCTIONS	1196 AF	1



## MAINTENANCE

### Matki Glass Guard Easy Clean Surface Protection (optional) and General Cleaning Guide

#### Cleaning Instructions

Matki Glass Guard allows water to form minute beads which easily trickle off the surface of the glass. This makes the glass easier to clean - the glass does not need to be cleaned as frequently, but it does require occasional maintenance. As less cleaning is required the use of detergents can be minimised thus helping to protect the environment. The lifespan of the Matki Glass Guard is dependant on the frequency of use of the shower and the degree of water hardness.

The combination of alkaline materials and humidity affects glass in an extremely aggressive way. Do not use bleach, alkaline, acid-based or aggressive and abrasive glass cleaners, detergents or household cleaning products on the glass or frames.

We recommend that glass is washed down with clean water and a soft clean cloth or sponge and dried off with a microfibre cloth.

The special coating is only present on the inside of the glass.

Matki Glass Guard is guaranteed for 2 years provided that the guidelines and cleaning instructions are followed.

Aluminium and Chrome parts should be cleaned with a mild non scratch household cleaner and a soft cloth or sponge.

Do not use acidic-based descaler products or products which are unsuitable for cleaning enamelled surfaces, including abrasive cleaners or cleaners containing bleach or solvents, as the products will effect the anodised framework. Under no circumstances use cleaners with a pH level exceeding 8.

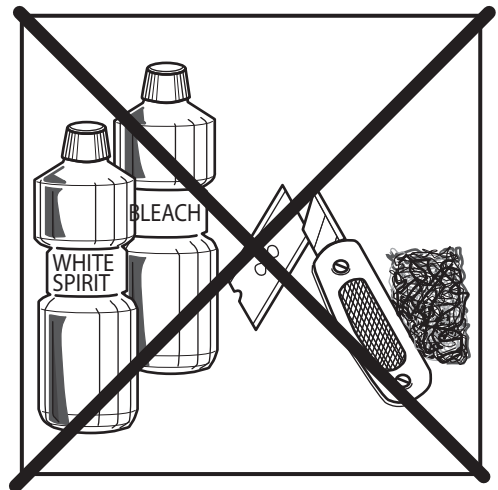
Matki does not recommend the use of 'Leave-on' shower cleaners on Matki Glass Guard Products.

**Water Softeners and Glass Guard** - Certain types of water softeners increase the alkalinity of the water due to a carry-over of Chloride during re-generation which can cause aggressive water spots on both untreated and Glass Guarded glass. If using a water softener we recommend a two-cylinder machine with automatic re-generation instead of a timer. If a single-cylinder water softener with timer is already installed it is recommended that after each shower excess water is removed from the glass with a squeegee or with a micro-fibre cloth.

**Annual recommended maintenance** - Matki recommend annually lubricating the barrel of the hinge with a lubricating spray such as WD-40 to remove dust build-up and to aid the movement of the hinge.



Wash down with clean warm water and a soft clean cloth or sponge.



Do not use bleach, alkaline or acid-based, aggressive or abrasive cleaning products.

Flash Bathroom Spray or Cif Bathroom Spray can be used on Matki Products.  
Read manufacturers label before using any cleaning materials.

#### IMPORTANT

Matki Glass Guard is guaranteed for 2 years. It is essential that the cleaning instructions are followed in order to maintain the hydrophobic properties of the glass coating. In the event of the failure to comply in any way with these instructions, any warranty or guarantee will be null and void.

**MATKI PLC, CHURCHWARD ROAD, YATE, BRISTOL, BS37 5PL**  
TELEPHONE:01454 328816 (AFTER SALES) FAX:01454 328821 EMAIL: techsupport@matki.co.uk



