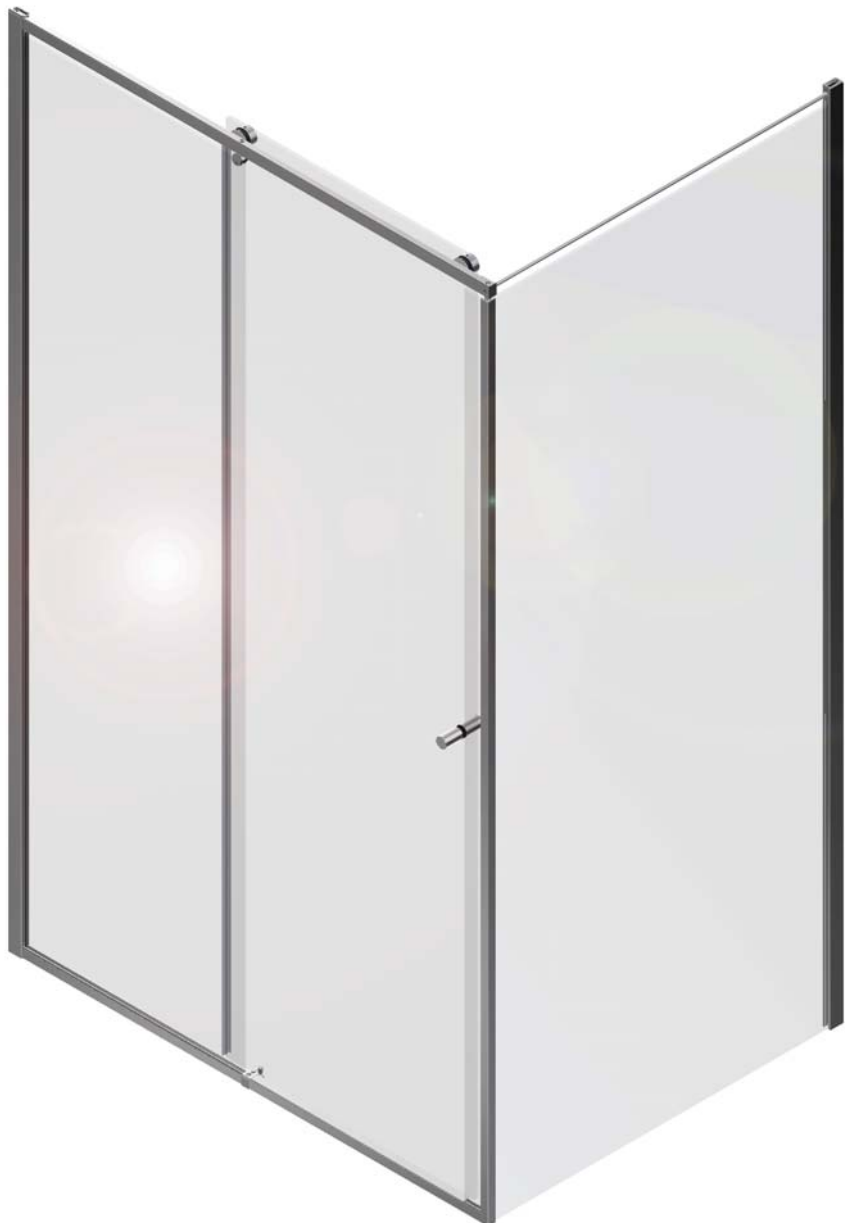


matki | S H O W E R I N G

MATKI ONE[®] MOSC- CORNER SLIDER AND MOSCSP- SIDE PANEL

INSTALLATION

PARTS LIST



MATKI PLC, CHURCHWARD ROAD, YATE, BRISTOL, BS37 5PL
TELEPHONE:01454 328816 (AFTER SALES) FAX:01454 328821 EMAIL: techsupport@matki.co.uk



**MOSC RH CORNER
+ MOSCSP**



**MOSC LH CORNER
+ MOSCSP
(AS FACTORY
ASSEMBLED)**

THE MATKI ONE CORNER SLIDER IS FACTORY BUILT AS A LH CORNER.
FOLLOW INSTRUCTIONS IN THIS BOOKLET TO REVERSE FOR A RH CORNER.

IMPORTANT

TOOLS REQUIRED

Masonry Drill bit 6mm, Tape Measure, Screw Drivers, Safety Glasses, Electric Drill, Level, Pencil, Adjustable Spanners, Non Slip Gloves, Glass suction lifter

Before disposing of carton and/or commencing assembly, please check all the parts to ascertain that none are missing and they are all undamaged. No claim for missing/damaged parts will be accepted once the packing carton has been disposed of and/or assembly has commenced.

In case of query contact your Stockist with details of model number and details of serial number.

PREPARATION IMPORTANT

1. Please read complete installation instructions before fitting for enclosure and tray (if fitting).
2. We recommend the use of safety glasses and non slip gloves when handling the glass panels.
3. Ensure that the product can be **fixed** to a **solid masonry wall** or suitable **timber stud work grade C16/C24** in the area behind the wall frames.
4. Shower trays or tiled floors **must be absolutely level** where enclosures are fitted
5. If fitting a tray we recommend a **drainage test** is carried out before the tray is tiled in position.
6. The assembly should be installed onto a waterproof wall covering and installed after the tray and wall coverings are in place. Trays with tiling lips should be let into the wall with the tiling lip flush with the wall to allow the tiling to overlap the tiling lip.
7. Seal between tray and tiles. Remove any excess sealant from the area/joint between the tray and the tiles where the wall mount is to be fitted. This will ensure the wall mount fits correctly to the wall and tray/or tiled floor.

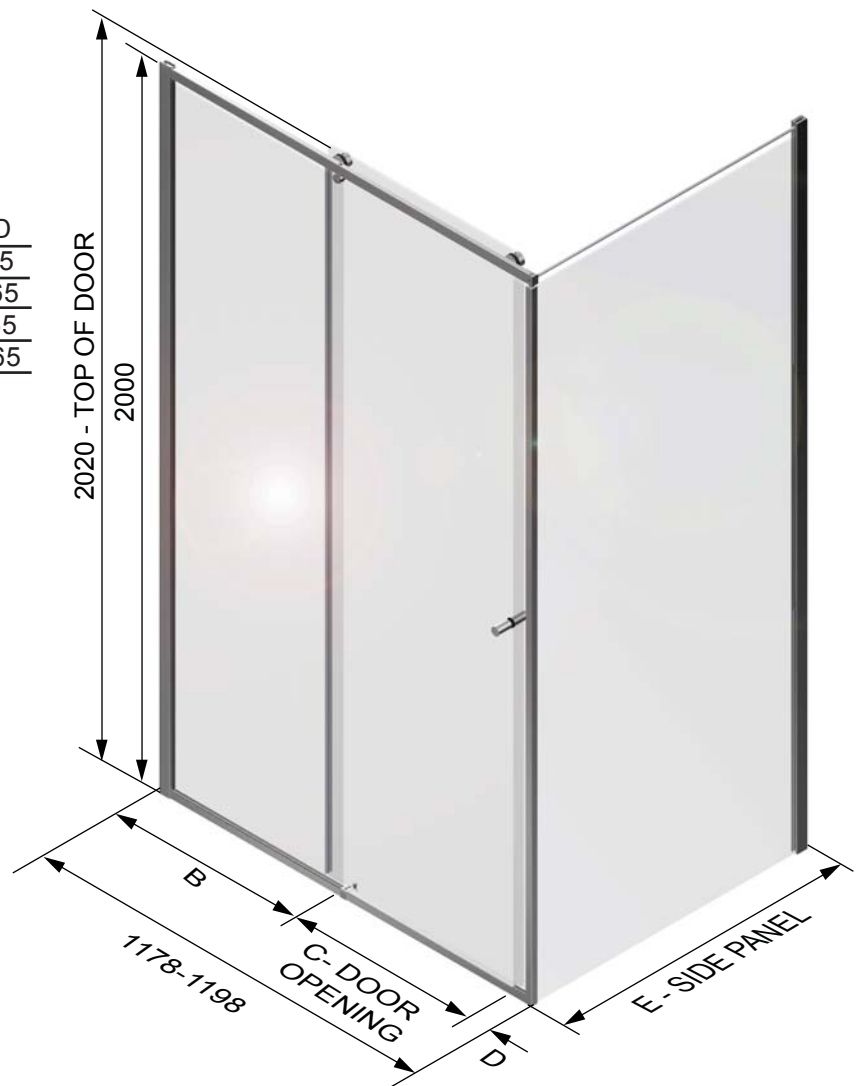
CAUTION: TEMPERED GLASS CANNOT BE CUT, POLISHED METAL AND CHROME CAN BE SCRATCHED. CAREFULLY REMOVE ASSEMBLY FROM CARTON, DO NOT PLACE GLASS ON HARD FLOOR OR EXPOSE EDGES TO IMPACT. DO NOT CUT TOP TRACK IN ANY CIRCUMSTANCES.

DIMENSIONS

MATKI ONE CORNER SLIDER

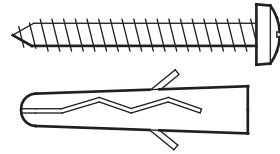
Model	A	B	C	D
MOSC1000	978-998	470-490	400	65
MOSC1100	1078-1098	490-510	440	65
MOSC1200	1178-1198	570-590	450	65
MOSC1500	1478-1498	780-800	550	65

Side Panel	E
MOSCSP760	732-752
MOSCSP800	772-792
MOSCSP900	872-892



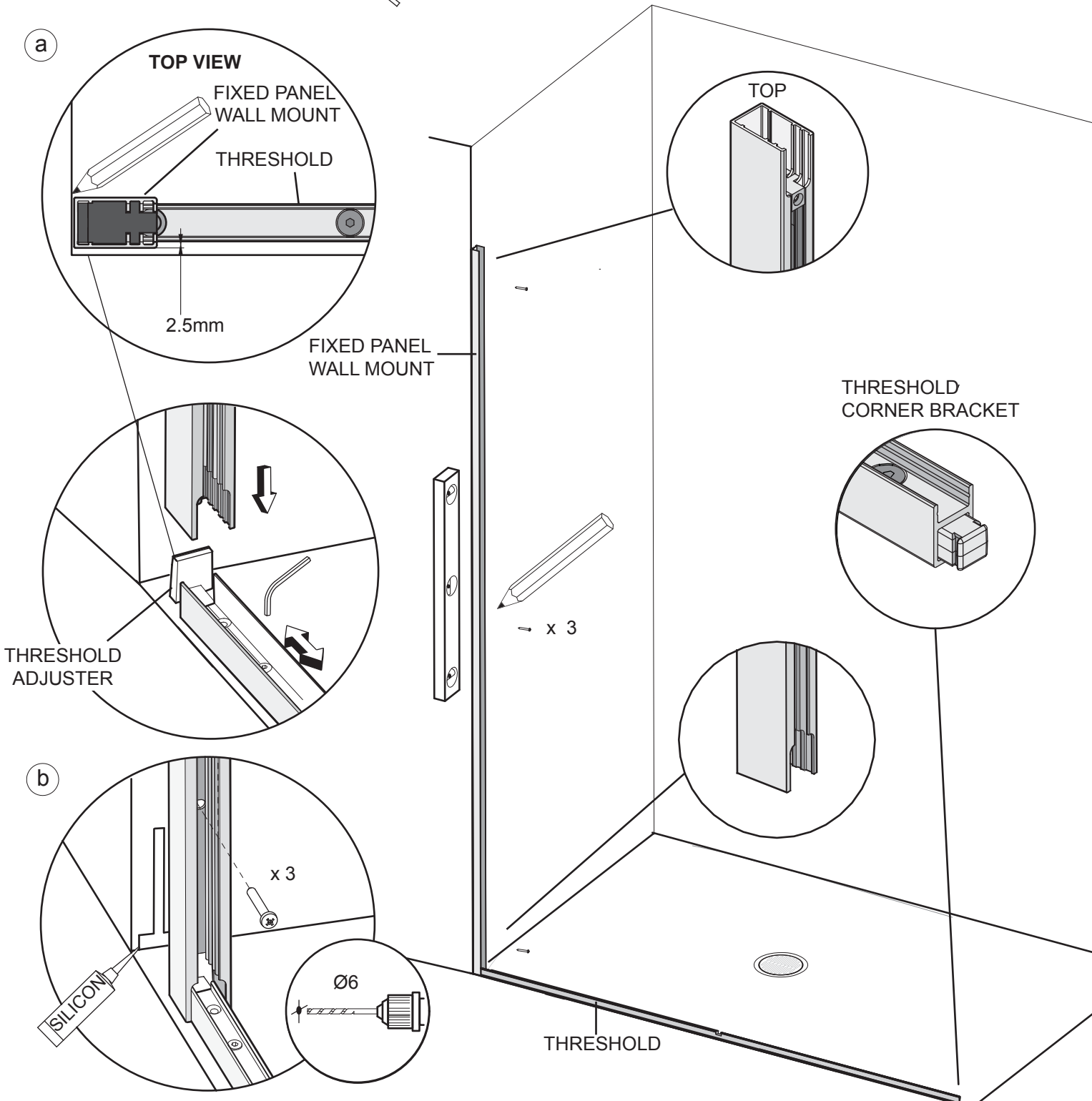
Dimensions are approximate

STAGE 1



x 3 THIS PAGE SHOWS THE PANEL INSTALLATION FOR A LH CORNER. REVERSE FOR RH.

x 3

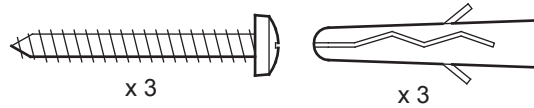


This stage is describing the fitting of the Fixed panel wall mount
Before fitting the enclosure please check that your product will fit the finished aperture size.(See dimensions)

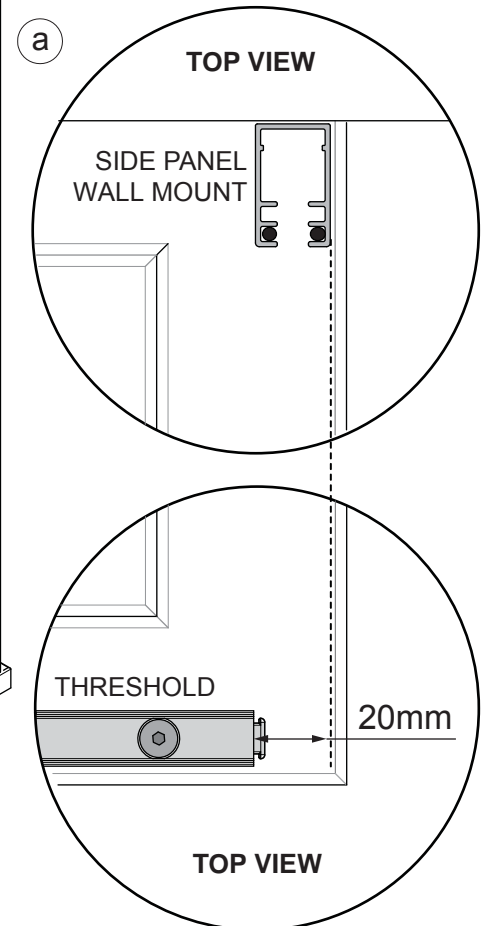
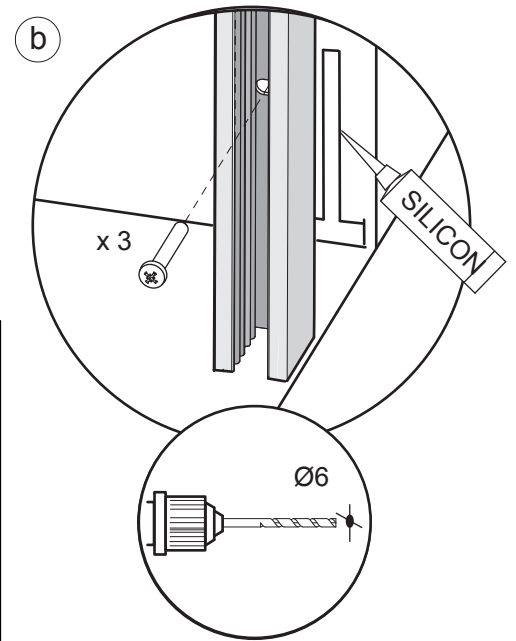
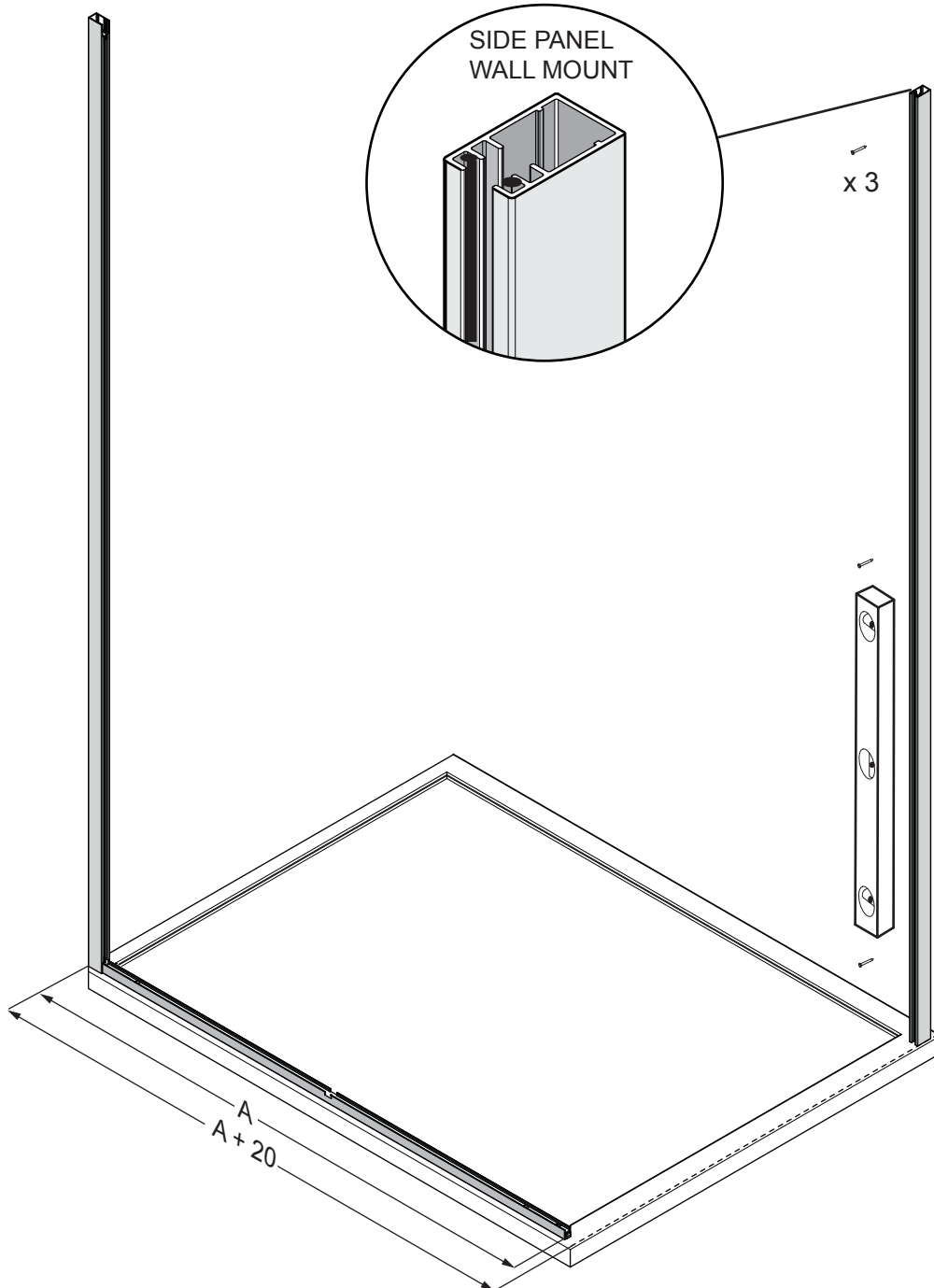
a. Place the horizontal threshold into position on tray, ensuring the threshold corner bracket is at the corner side of the enclosure (threshold extrusion is unhandred, rotate by 180° to reverse hand). The threshold extrusion should be positioned **as close to the outside edge of the tray as possible**, within the max and min side panel measurements (take into account that the front face of the fixed panel wall mount sits 2.5mm in front of the threshold when positioning at the front of the tray). Position the fixed panel wall mount on to the wall over threshold (wall mount has a top and bottom, wall mount cut-out with socket set screw is the top of the wall mount). Ensure the threshold adjuster fits up into the back of the wall mount extrusion in the recess as shown. Adjust position of threshold adjuster as required, to adjust loosen screw 1 full turn, re-tighten after adjustment, do not over tighten. Plumb the wall mount for upright and mark the fixing holes in the centre of the slots.

b. Drill 3 x fixing holes in the wall and insert wall plugs. Clean area and apply silicon sealant to the area behind the wall mount between the tray and tiles and 100mm up the wall, central to the width of the wall mount. Fit the wall mount using the No.8 x 32mm Pan Head Screws.

STAGE 2



THIS PAGE SHOWS THE PANEL INSTALLATION FOR A LH CORNER. REVERSE FOR RH.



This stage is describing the fitting of the Side panel wall mount

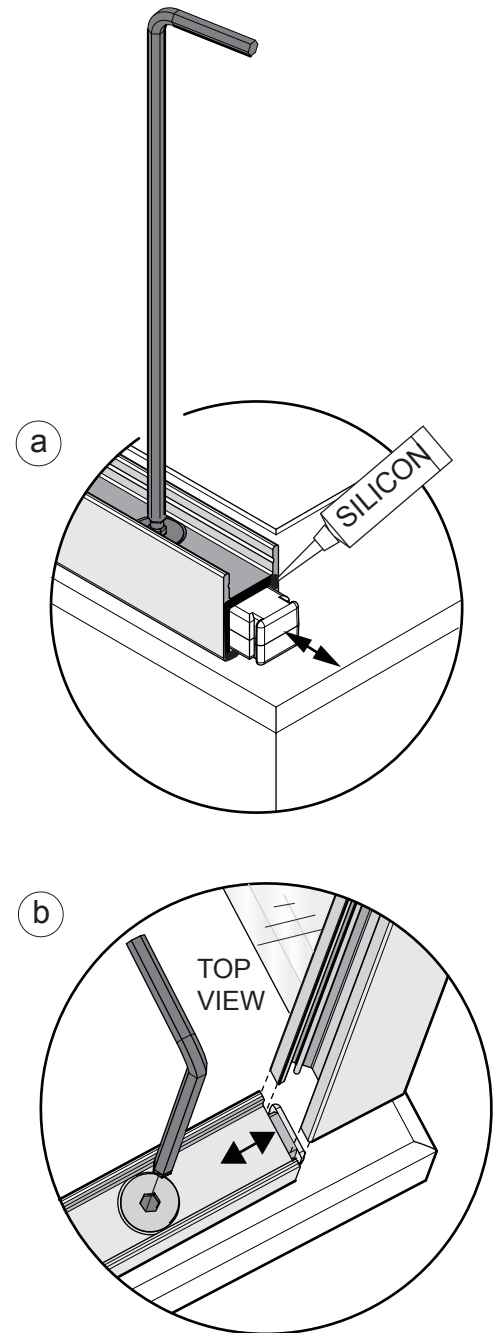
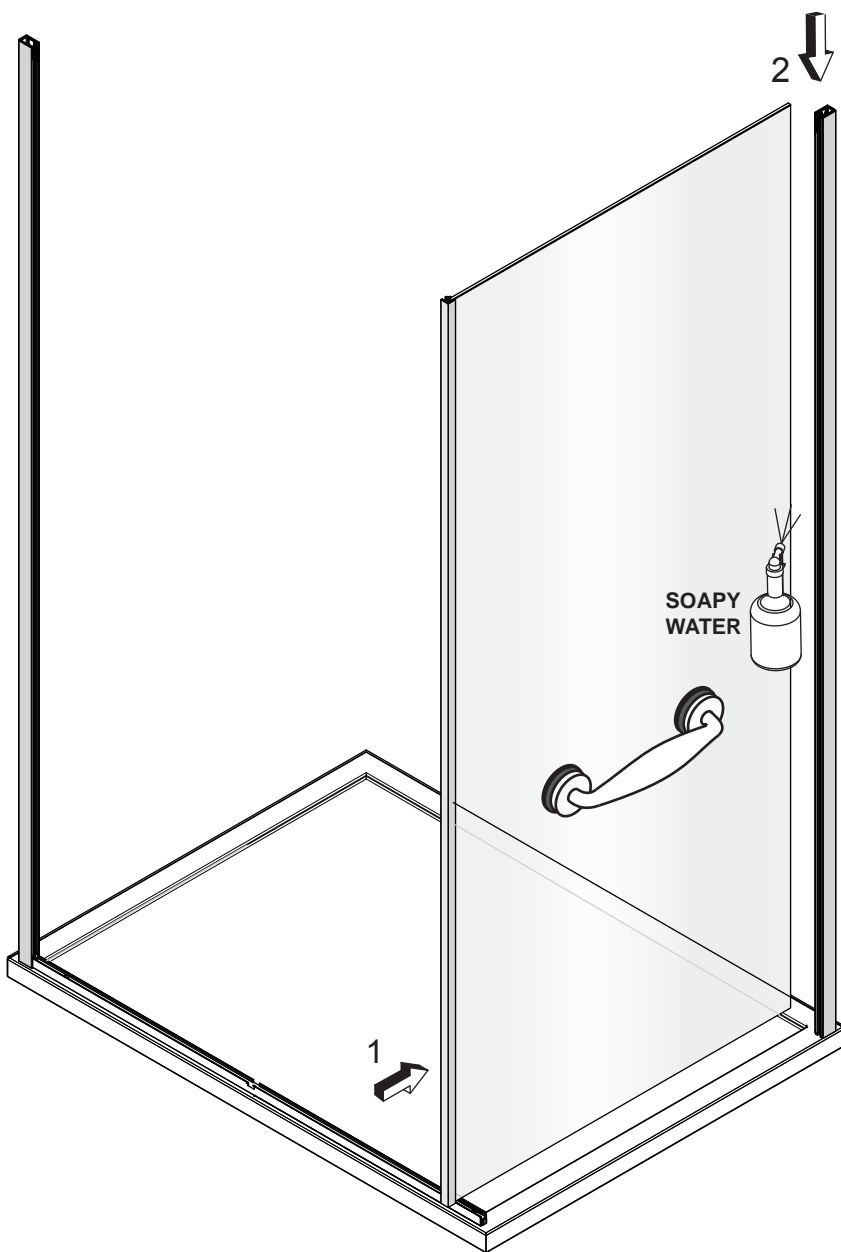
Before fitting the enclosure please check that your product will fit the finished aperture size.(See dimensions)

a. Measure the distance from the wall side of the fixed panel wall mount to the end of the threshold (dimension A) and add 20mm (dimension A + 20mm) this gives you the measurement from the Wall side of the fixed panel wall mount to the outside face of the side panel wall mount. Mark position for side panel wall mount onto the wall. Check that this measurement is within the the max and min width measurements. Position the side panel wall mount onto the wall. Plumb the wall mount for upright and mark the fixing holes in the centre of the slots.

b. Drill 3 x fixing holes in the wall and insert wall plugs. Clean area and apply silicon sealant to the area behind the wall mount between the tray and tiles and 100mm up the wall, central to the width of the wall mount. Fit the wall mount using the No.8 x 32mm Pan Head Screws

STAGE 3

THIS PAGE SHOWS THE PANEL INSTALLATION FOR A LH CORNER. REVERSE FOR RH.



This stage is describing the fitting of the Side panel glass.

a. Loosen the threshold corner bracket using the 3mm allen key and adjust out for fitting.

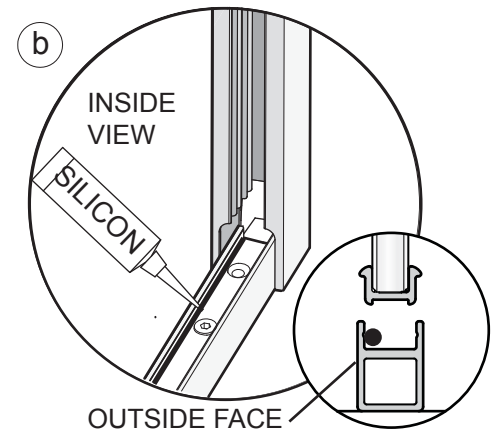
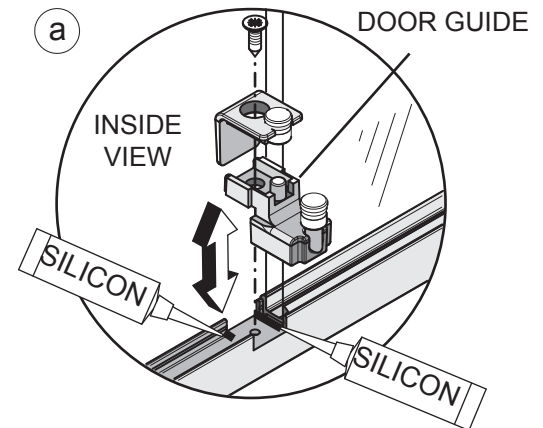
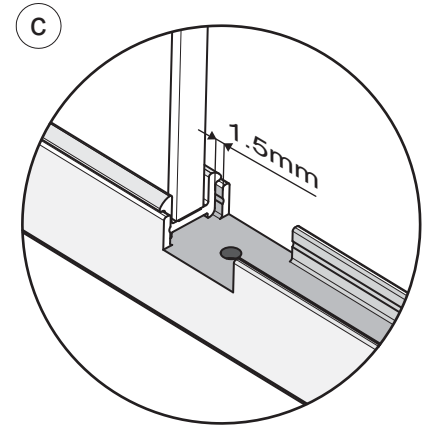
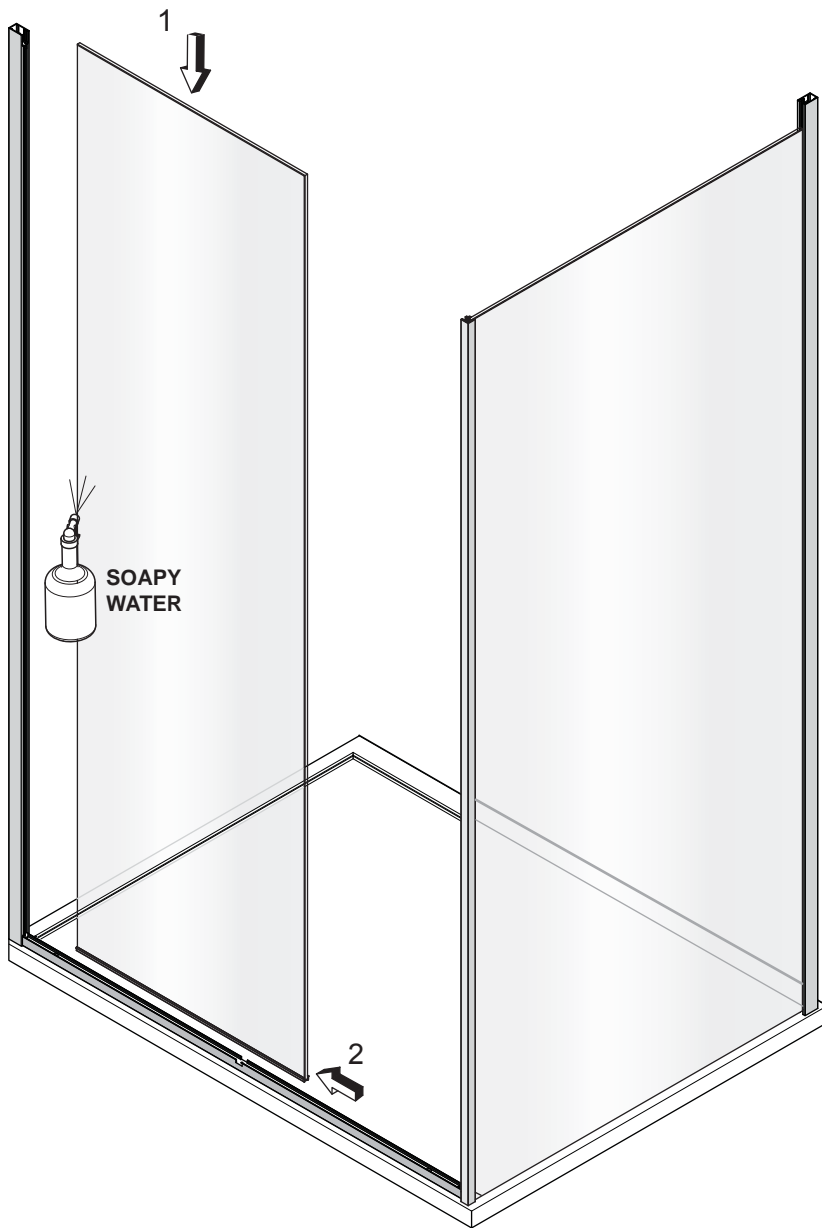
a. Apply a bead of silicon around the exposed end face of the threshold track.

b. Lightly wet the edge of the side panel with soapy water and gently push the panel into side panel wall mount and down onto the finished floor/tray. Guiding the corner extrusion over the top of the threshold corner bracket. (Glass suction lifters required for this stage)

b. Tighten the threshold corner bracket into position.

STAGE 4

THIS PAGE SHOWS THE PANEL INSTALLATION FOR A LH CORNER. REVERSE FOR RH.



This stage is describing the fitting of the fixed panel for a LH Corner, reverse for RH Corner. Before fitting the fixed glass panel adjust the threshold extrusion so that the side panel is at right angles to the threshold extrusion. Loosen the threshold adjuster and lightly tighten in position as required.

a. Remove and set aside the door guide from the threshold extrusion before fitting the fixed glass panel.

b. Apply a bead of silicon along the outer inside edge of the threshold in the recess provided (b) in the threshold extrusion and around either side of the recess where the door guide fits into the threshold extrusion (a).

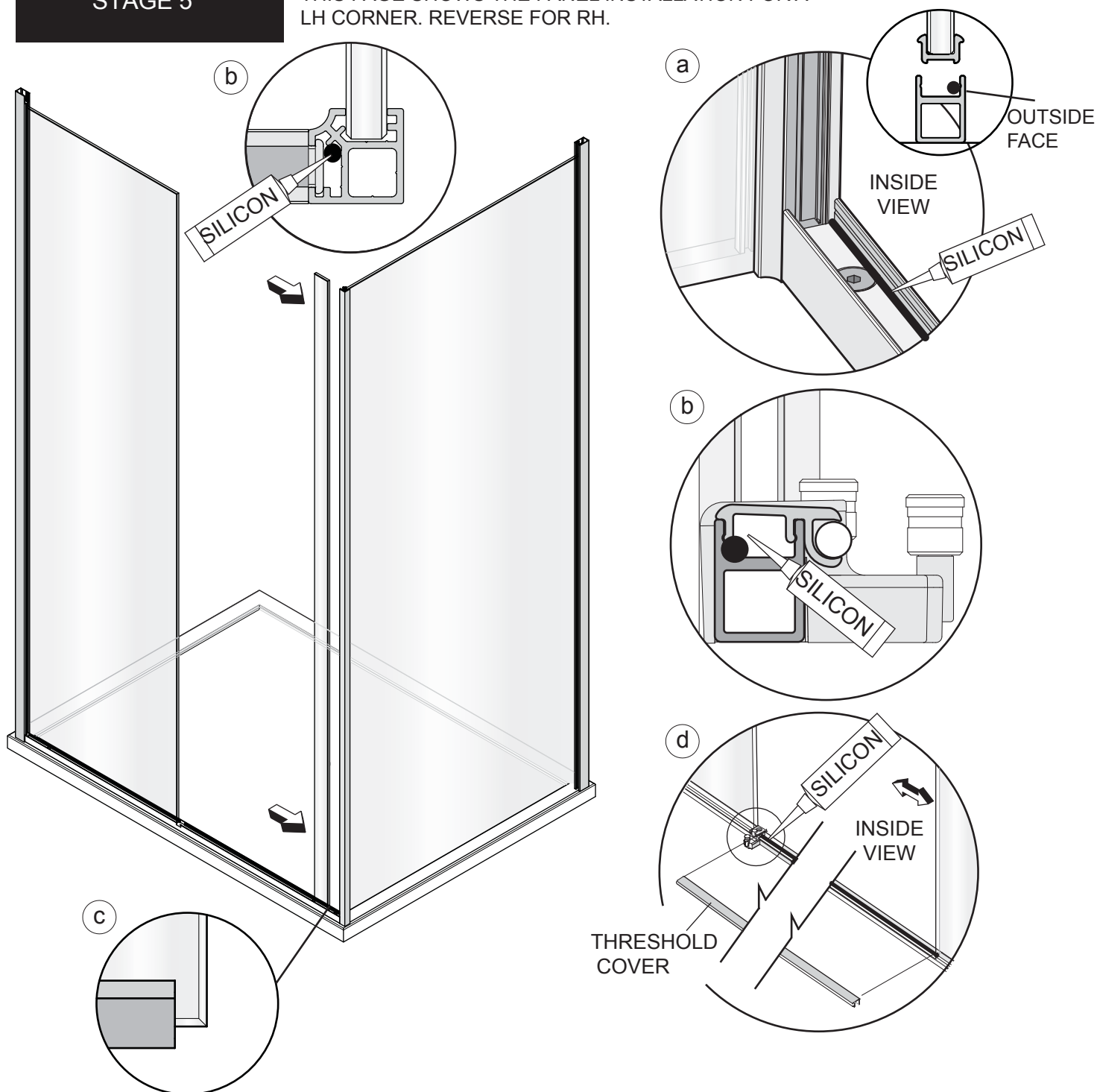
c. Lightly wet the edge of the fixed panel with soapy water and gently lower the panel down into the threshold extrusion first then along into the wall mount.

d. As a guide the end of the fixed panel should be positioned 1.5mm away from the cut out in the threshold track (c) further slight adjustments may be required during the fitting of the closure panel.

a. Re-fit the door guide.

STAGE 5

THIS PAGE SHOWS THE PANEL INSTALLATION FOR A LH CORNER. REVERSE FOR RH.



This stage is describing the fitting of the closure panel for a LH Corner, reverse for RH Corner.

a. Apply a bead of silicon along the outer inside edge of the threshold in the recess provided.

b. Apply a bead of silicon in the corner extrusion as shown, down the full length of the corner extrusion.

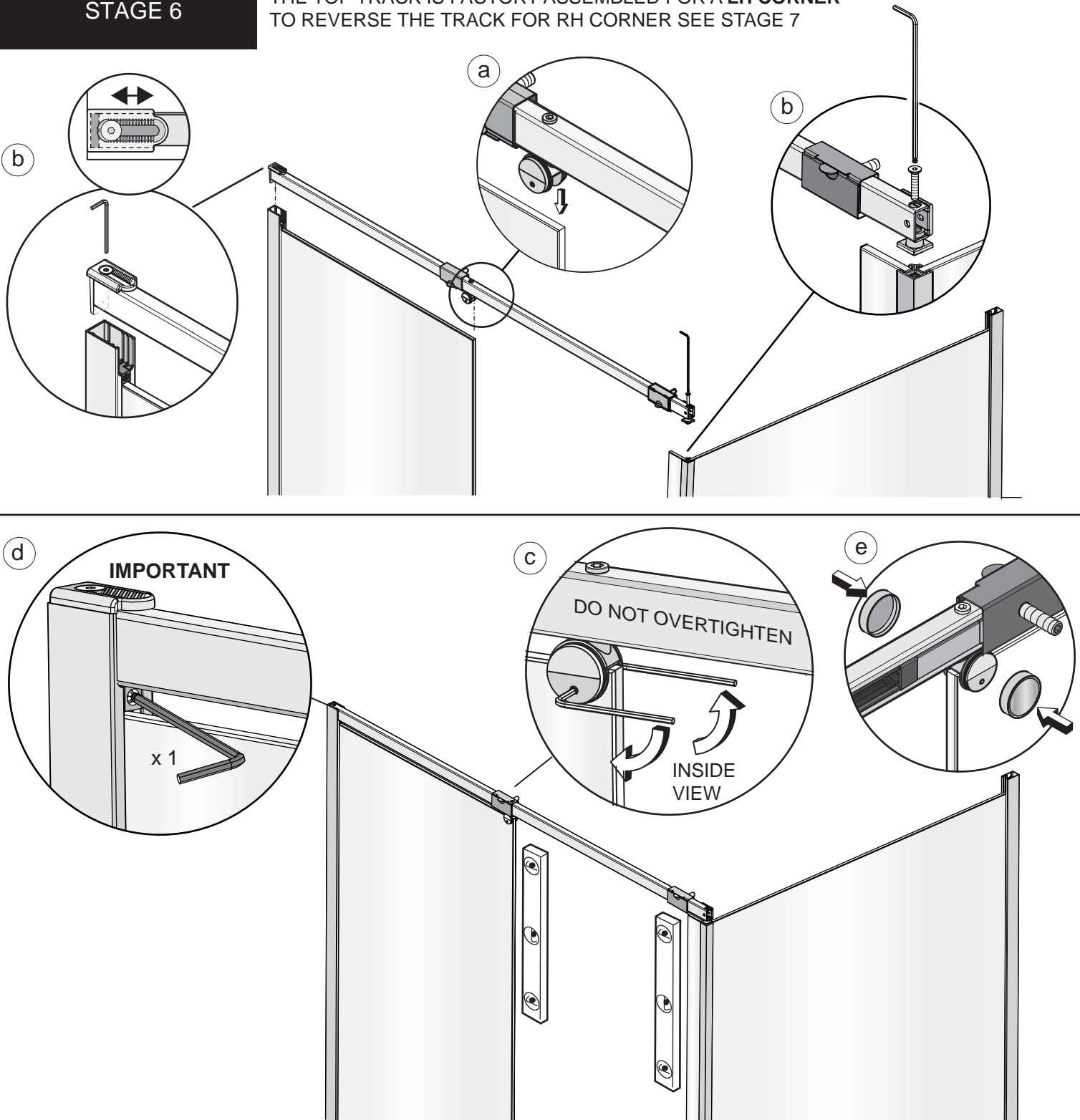
c. Gently lower the panel down into the threshold extrusion first then along into the corner panel extrusion, the extrusion on the bottom of the closure panel is offset, the exposed glass edge fits into to the corner extrusion.

d. Set the distance between the fixed glass panel and closure glass panel using the threshold cover. The threshold cover should fit tightly between the closure panel glass and the door guide.

d. Apply a bead of silicon along the inside length of the threshold in the recess at the front of the track where the threshold cover will fit (d). Clip the threshold cover into the threshold extrusion.

STAGE 6

THE TOP TRACK IS FACTORY ASSEMBLED FOR A **LH CORNER**
TO REVERSE THE TRACK FOR RH CORNER SEE STAGE 7



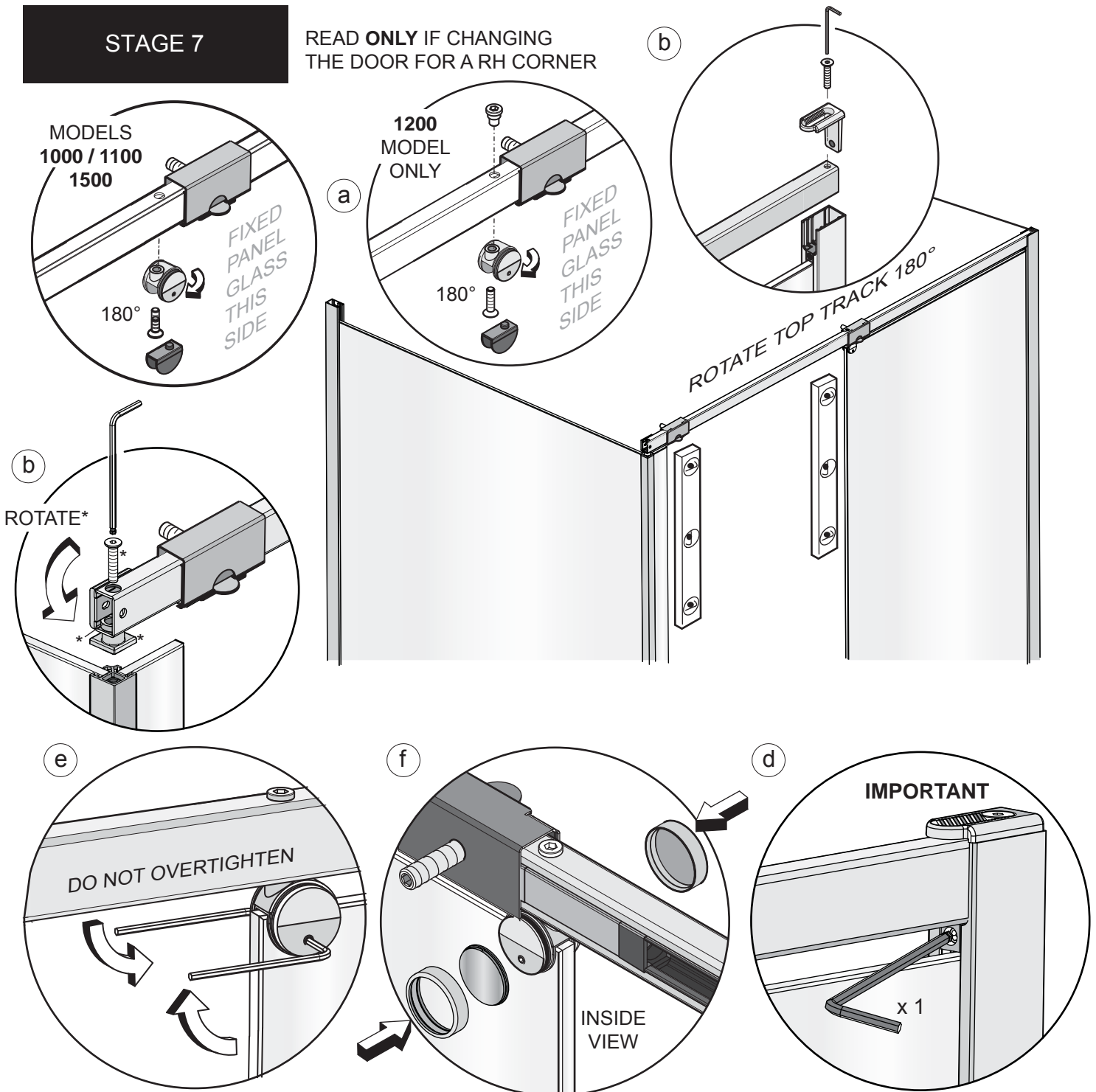
This stage is describing the fitting of the Top Track. To reverse the Top Track for a RH Corner see Stage 7.

Before fitting the top track plumb the glass panels for vertical and ensure the entrance dimension is correct.

- a.** Lower the top track into position, ensuring the top track glass clamp, clamps around the top face of the fixed glass panel (a).
- b.** Fit the wall mount top cap and corner extrusion fixing into the wall mount. Adjust as required.
- c.** The top track can be adjusted left or right. Tighten the top track glass clamp by tightening the socket set screws on both sides (c).
- d. Important** - tighten the top track locking screws underneath the top track on the closure panel wall mount to fix the top track into position.
- e.** Fit the glass clamp covers (supplied in the kit of parts) over both sides of the top track glass clamps.

STAGE 7

READ **ONLY** IF CHANGING THE DOOR FOR A RH CORNER



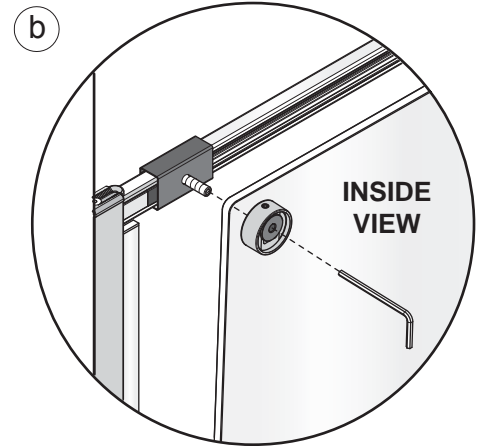
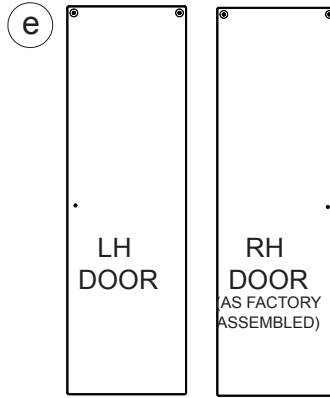
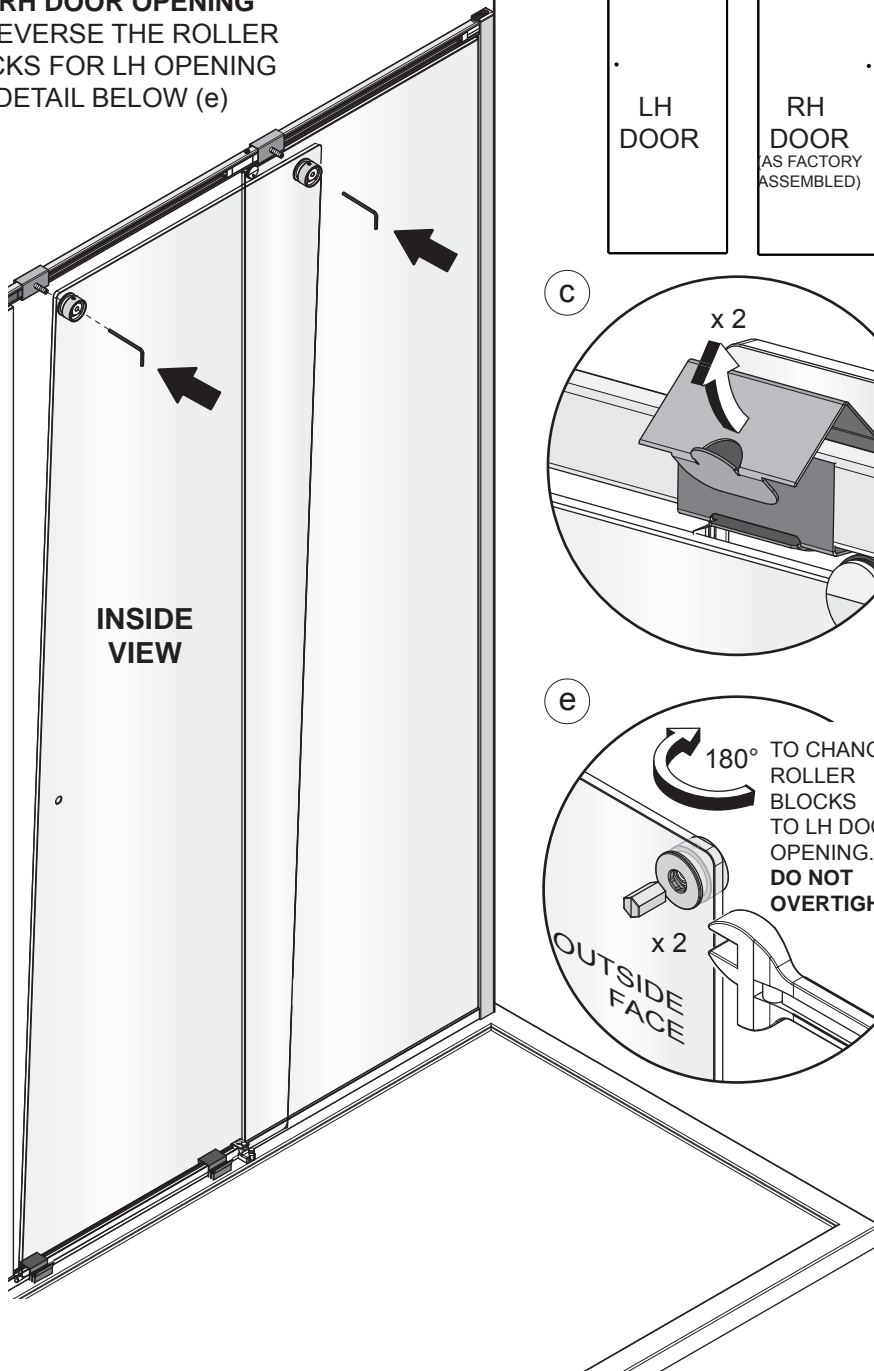
This stage is describing how to reverse the top track to a RH corner and the fitting of the Top Track.

- a.** Rotate the track by 180° so that the roller block threads are still facing towards the inside of the unit .
- b.** Remove the wall mount top cap and corner extrusion fixings and swap to the opposite sides.
- a.** Remove and re-fit the top track glass clamp by swapping to the other side of the track, so it is facing downwards.
- e.** Lower the top track into position, ensuring the top track glass clamp, clamps around the top face of the fixed glass panel.
- b.** Fit the wall mount top cap and Corner extrusion fixing through the top of the track and into the wall mount and corner extrusion.
- c.** The top track can be adjusted left or right . Tighten the top track glass clamp by tightening the socket set screws on both sides (c).
- d. Important** - tighten the top track locking screw underneath the top track on the fixed panel wall mount to fix the top track into position.
- e.** Fit the glass clamp covers (supplied in the kit of parts) over both sides of the top track glass clamps.

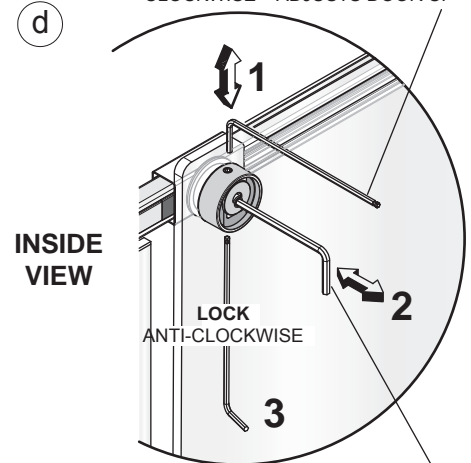
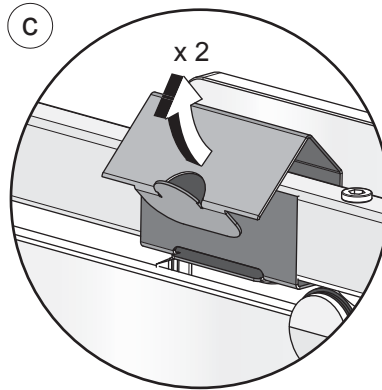
STAGE 8



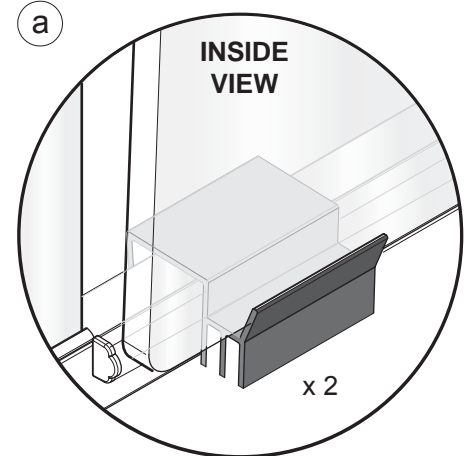
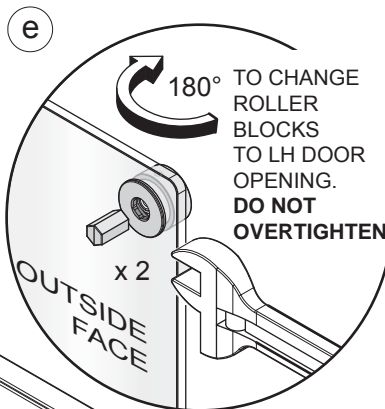
THE DOOR IS FACTORY ASSEMBLED AS A RH DOOR OPENING TO REVERSE THE ROLLER BLOCKS FOR LH OPENING SEE DETAIL BELOW (e)



ANTI-CLOCKWISE = ADJUSTS DOOR DOWN
CLOCKWISE = ADJUSTS DOOR UP



ANTI-CLOCKWISE = ADJUSTS DOOR IN
CLOCKWISE = ADJUSTS DOOR OUT



This stage is describing fitting of the Door Panel.

To reverse the Door to a LH Door opening (e) remove the Roller block assembled to the door glass using the roller block key provided in the kit of parts and an adjustable spanner. Rotate the block to the opposite side of the door glass and re-fit.

a. Important - Fit the plastic threshold protectors to the Threshold track at either side of the Door opening.

b. Load the door glass firstly onto the threshold protectors and door guide and then carefully guide the door up to the door roller threads and wind them through the door roller blocks fixed to the glass.

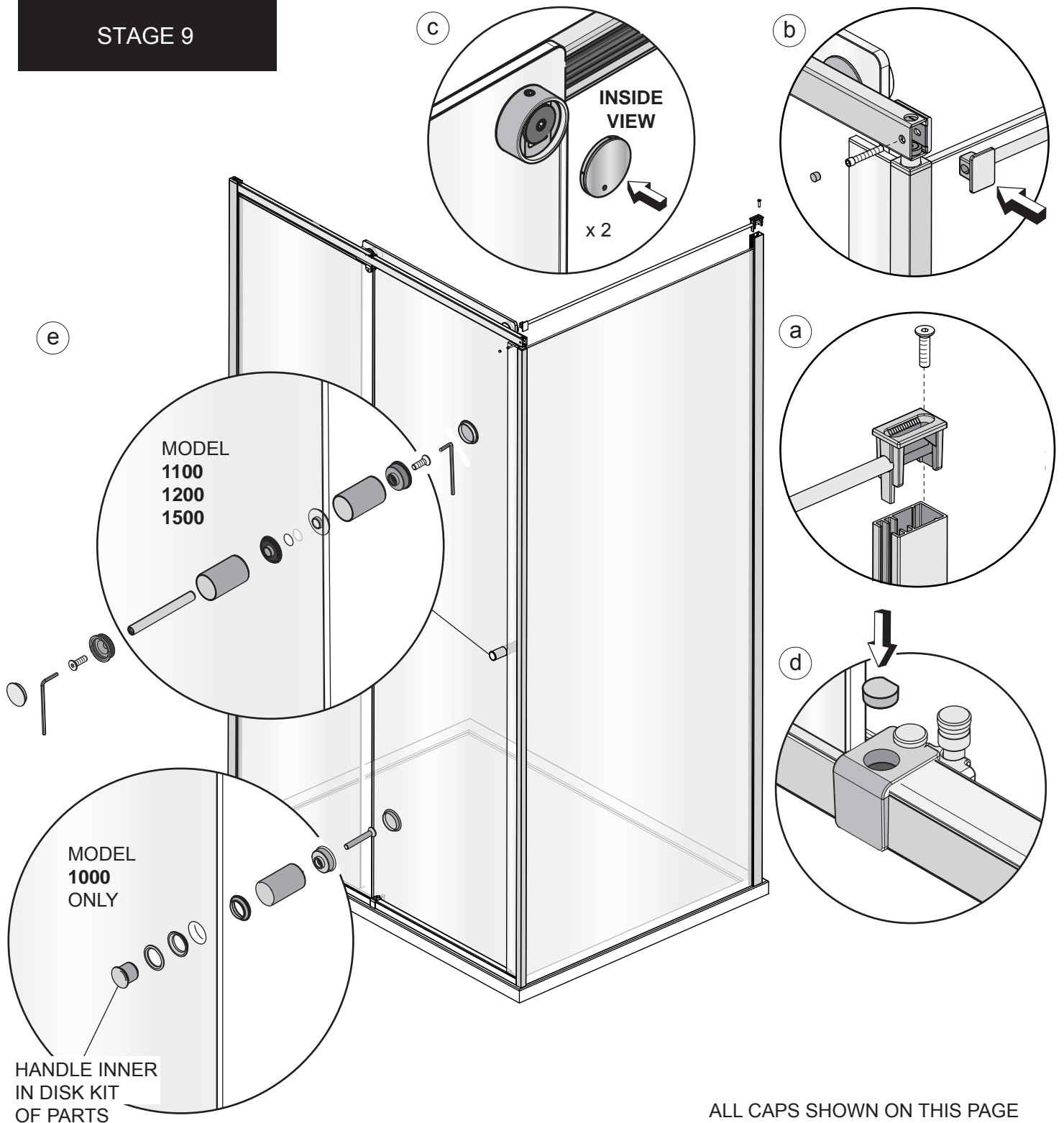
c. Remove both the cardboard top track door roller guides by pulling the tabs and unfolding them away from the top track.

d. Adjust the door panel if required so that it runs parallel to the door opening by adjusting the Roller blocks on the inside of the door. To adjust the door away from the top track rotate the central set screw clockwise using the 4mm allen Key . To adjust the door to the top track, rotate the central set screw anti-clockwise.

d. The door glass can also be raised or lowered by the adjustment screw in the top of the roller block using the 3mm allen key supplied. Rotate clockwise to raise the door, rotate anti-clockwise to lower the door.

d. Lock the adjustment by rotating the set screw anti-clockwise in the bottom of the roller block using the 3mm allen key supplied.

STAGE 9



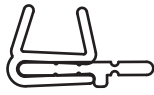
ALL CAPS SHOWN ON THIS PAGE
CAN BE FOUND IN THE KIT OF PARTS

This stage is describing the fitting of the Door Handle and cover caps and brace

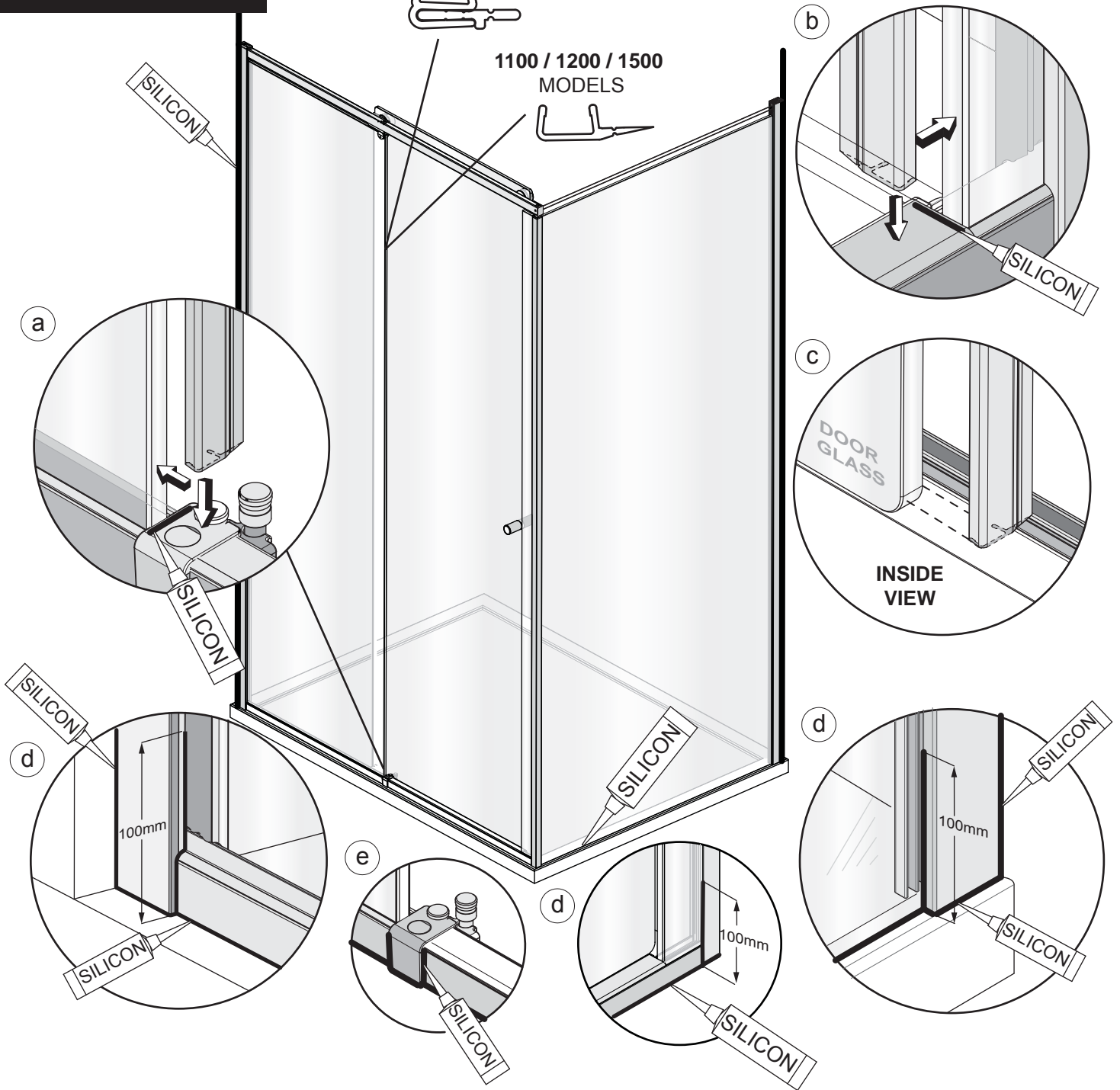
- a.** Fit the Corner brace by fixing the top cap fixing into the side panel wall mount using the M5 x 20mm Csk socket screw
- b.** Remove the fixing in the corner extrusion end of the brace bar and push fit cap into the end of the top track, fixing into position using the brace fixing screw. Insert screw cover into front face of top track (supplied in kit of parts).
- a.** Fit the 2 x door roller block covers (supplied in the kit of parts) to the back of the door roller blocks.
- b.** Disassemble the handle by unscrewing the 2 x M5 x 16 Csk socket screws. Place the glass washers either side of the 2 holes in the door glass. Re-assemble the handle to the glass and tighten into position. Fit the Cover caps (supplied in the kit of parts) to either side of the handle. For the 1000 model, assemble the handle with the M5 x 35 Csk screw. The Handle Inner is in the detail pack. The handle is flush fitting on the outside of the door.
- c.** Fit the door guide screw cover (supplied in the kit of parts) to the door guide.

STAGE 10

1000 MODEL ONLY



1100 / 1200 / 1500
MODELS



This stage is describing fitting of the Seals and Silicon

a. Apply a bead of silicon along the top of the door guide. Fit the fixed panel vertical seal (shorter of the 3 seals) to the edge of the fixed panel, ensuring it is pressed firmly against the face of the door guide. For 1000 model use the 2 part seal.

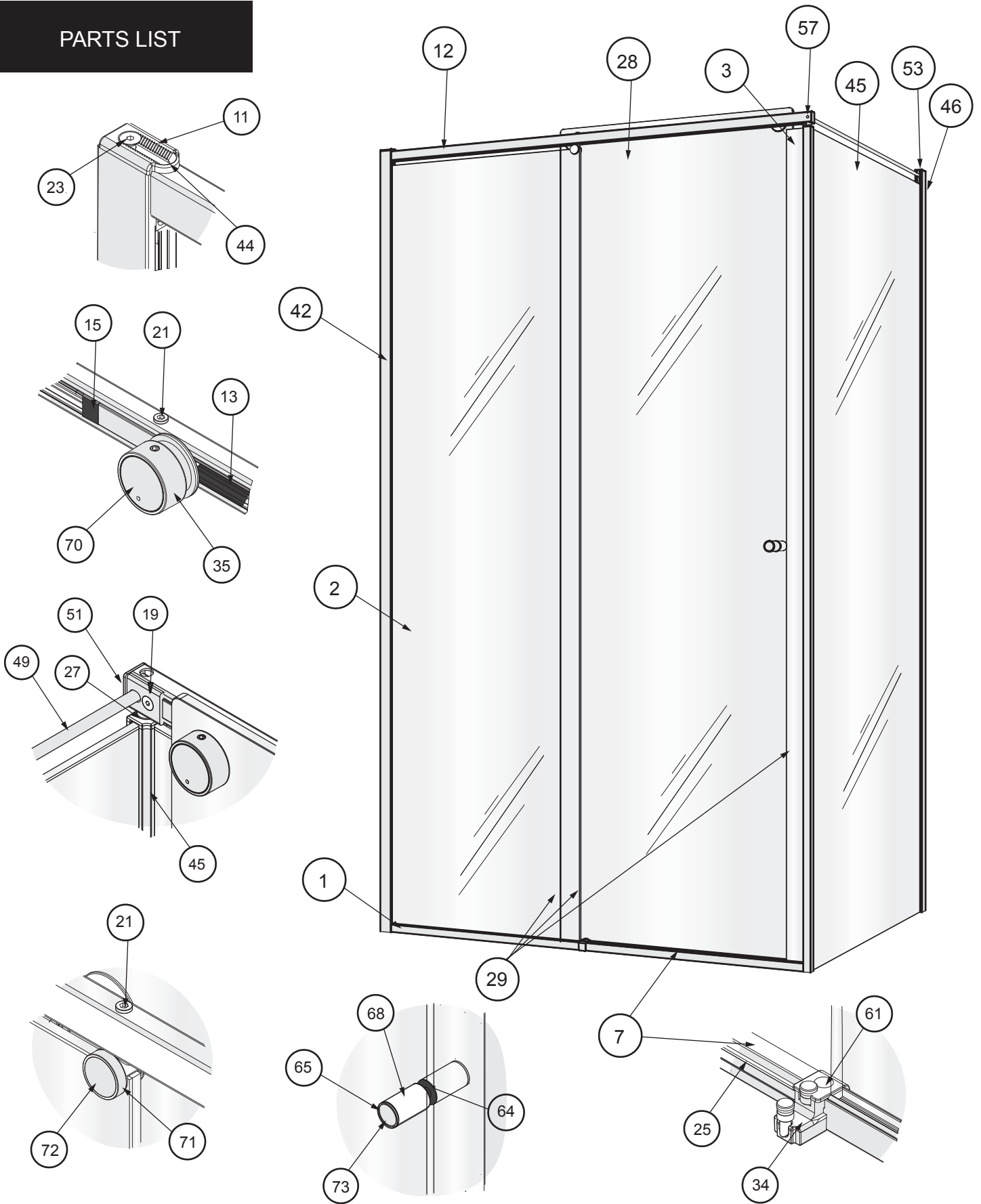
b. Apply a bead of silicon along the top of the threshold cover where it meets the closure panel. Fit the closure panel vertical seal to the edge of the closure panel, ensuring the seal sits firmly down onto the face of the threshold cover .

c. Fit the door vertical seal to the back edge of the door glass, the bottom of the seal should be lined up with the top of the radius at the corner of the glass.

d. Apply a thin bead of silicon along the bottom edge of both the wall mounts and all the way up the outside of both the wall mount extrusions between the wall mounts and the tiles. Apply a thin bead all the way along the threshold between the extrusion and the finished floor surface/tray around the corner extrusion and along the bottom of the side panel where it meets the floor/tray. Continue around the joint where the threshold joins the wall mounts and also 100mm up on the outside where the wall mounts and glass meet and where the corner extrusion and glass meet. Apply a bead of silicon on the outside around the joints between the door guide and threshold extrusion (e).

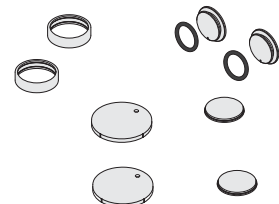
Masking tape can be used to achieve a tidy edge to the sealant. Remove the masking tape immediately and allow the silicon to cure for 24 hours before using the shower.

PARTS LIST



SLIDER DISK KIT OF PARTS

ITEM	DESCRIPTION	PART No	MODEL VARIATIONS		
			1000 8920 AF	1100/1200 7637 AF	1500 8922 AF
*70	ROLLER BLOCK BODY COVER CAP	8408 A SILVER	2	2	2
71	DECO DISK COVER RING	8252 A SILVER	2	2	4
*72	DECORATIVE PIVOT DISK	8652 A SILVER	2	2	4
*73	DECORATIVE HANDLE CAP	8400 A SILVER	1	2	2
74	DIN O-Ring 0140-20	8582 AF	1	2	2
75	MTK1 SLIDER & CURVED DISK DISPLAY PACK	4681 AF	1	1	1
76	MATKI CHROME EMBLEM	1005 CHROME	1	1	4
77	1000 HANDLE INNER	8456 AF	1		



PARTS LIST

* colour variant on parts

MAIN SLIDER PACK

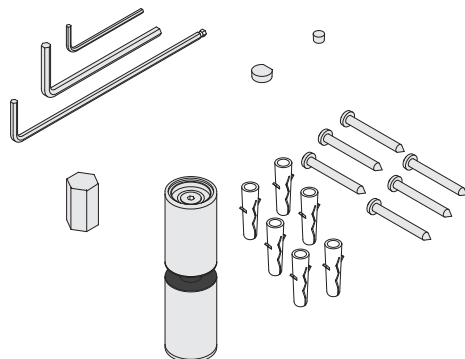
ITEM	DESCRIPTION	PART No	QTY
1	SLIDER FLOOR RAIL	8898 A SILVER (1000) / 8811 A SILVER (1100) / 7604 A SILVER (1200) / 8897 A SILVER (1500)	1
2	SLIDER FIXED PANEL GLASS	7710 M CLEAR/PLAIN (1000) / 7706 M CLEAR/PLAIN (1100) / 7651 M CLEAR/PLAIN (1200) / 7713 M CLEAR/PLAIN (1500)	1
3	SLIDER CLOSURE PANEL	7650 M CLEAR/PLAIN	1
4	SLIDER FIXED PANEL FLOOR RAIL	8895 A SILVER (1000) / 8814 A SILVER (1100) / 7602 A SILVER (1200) / 8896 A SILVER (1500)	1
5	SLIDER CLOSURE FLOOR RAIL	7603 A SILVER	1
6	SIDE PANEL BOTTOM CORNER BRACKET	8443 AF	1
7	SLIDER THRESHOLD COVER	8891 A SILVER (1000) / 8812 A SILVER (1100) / 7600 A SILVER (1200) / 8892 A SILVER (1500)	1
8	THRESHOLD END CAP	8409 WHITE	2
9	ADJUSTER CLAMP	8427 AF	2
10	M5 x 10 CSK SKT	1488 A SILVER	2
11	SLIDER WALL MOUNT TOP CAP	8407 AF	1
12	SLIDER CORNER TOP TRACK	8885 AF (1000) / 8809 A SILVER (1100) / 7607 A SILVER (1200) / 8884 AF (1500)	1
13	CORN-ROLL TRACK PROF 473MM	8869 BLACK (1000) / 8802 BLACK (1100) / 2392 BLACK (1200) / 8865 BLACK & 8867 BLACK (1500)	2
14	SMALL WHITE DAMPER	1339 AF	2
15	SLIDER WHEEL STOP	8416 BLACK	4
16	SLIDER TOP TRACK END	8429 A SILVER	1
17	SLIDER MIDDLE TRACK BRACKET	8428 A SILVER	1
18	SLIDER CORNER TOP TRACK BRACKET	8437 A SILVER	1
19	SLIDER CORNER BRACKET CAP	8438 A SILVER	1
20	M.Y.MOD SOCK SET + ST.ST BEARING(MIS3432)	8581 AF	2
21	PIVOT BLOCK ADJUSTER SCREW	8262 AF	1
22	PIVOT CLAMP BODY	8436 A SILVER	1
23	M5 x 20 CSK SKT	1503 A SILVER	2
24	DIN O-Ring 0190-20	8579 AF	2
25	WHITE PTFE ROD 6mm DIA	1306 AF	0.25
26	HEADRAIL CORNER WASHER	8267 AF	1
27	CORNER CAP	8424 A SILVER	1
28	SLIDER DOOR GLASS	7649 M CLEAR/PLAIN (1000) / 7705 M CLEAR/PLAIN (1100) / 7653 M CLEAR/PLAIN (1200) / 7679 M CLEAR/PLAIN (1500)	1
29	SLIDER DOOR VERTICAL SEAL	8617 AF	1
30	INSTALLATION DOOR SUPPORT	8592 BLACK	3
31	M5 x 25 CSK SKT	1412 A SILVER	1
32	M5 x 16 CSK SKT	1495 A SILVER	1
33	BOTTOM WALL CORNER BRACKET	8431 AF	1
34	SLIDER GUIDE BLOCK ASSEMBLY	7363 AF	1
35	SLIDER ROLLER BLOCK ASSEMBLY	7362 AF	2
36	CORNER SLIDER INSTALLATION INSTRUCTIONS	0943 AF	1
37	SLIDER KIT OF PARTS	7365 A SILVER	1
38	DIN 916 M4 X4 SOCKET SET SCREW ST/ST	1298 A SILVER	2
39	SLIDER PIVOT CLAMP GUARD	8432 GREY	1
40	1000 SLIDER DOOR VERTICAL SEAL	8819 CLEAR	1
41	1000 SLIDER DOOR VERTICAL SEAL	8820 CLEAR	1

PANEL SLIDER PACK

ITEM	DESCRIPTION	PART No	QTY
*42	SLIDER WALL MOUNT	7605 A SILVER/WHITE/BLACK/BRONZE	1
*43	WALL MOUNT GLASS GUARD	8415 GREY/BLACK/WHITE	1
44	WALL MOUNT LOCKING SCREW	8266 AF	2
45	SLIDER SIDE PANEL	7654 M CLEAR/PLAIN (760) / 7655 M CLEAR/PLAIN (800) / 7656 M CLEAR/PLAIN (900)	1
*46	SIDE PANEL WALL MOUNT	7606 A SILVER/WHITE/BLACK/BRONZE	1
*47	SLIDER SIDE PANEL CORNER	7608 A SILVER/WHITE/BLACK/BRONZE	1
48	CORNER INTERNAL FIXING BLOCK	8430 A SILVER	2
49	SIDE PANEL BRACE	7648 A SILVER (760) / 7646 A SILVER (800) / 7647 A SILVER (900)	1
50	NRP M4 X 10 SKT SET ST/ST	1295 A SILVER	2
51	SLIDER CORNER TOP TRACK END CAP	8442 A SILVER	1
52	BS nsp 5mm DIA FOAM CORD INSERT	1752 AF	8
53	SLIDER SIDE PANEL WALL MOUNT TOP CAP	8406 A SILVER	1
54	M5 x 20 CSK SKT	1503 A SILVER	1
*55	MATKI ONE SLIDER DISK KIT OF PARTS	7375 (SILVER/BLUE/GREEN/RED/GOLD/COPPER/BRASS) 7375 WHITE/BLACK	1

SLIDER KIT OF PARTS 1100,1200,1500 (7365) / 1000 (8923)

ITEM	DESCRIPTION	PART No	QTY
56	WALL PLUG	1818 AF	6
57	BRACKET HOLE COVER	7461 A SILVER	1
58	3mm AF BALL END	8622 AF	1
59	2mm ALLEN KEY	1286 AF	1
60	4mm ALLEN KEY	1166 AF	1
61	BRACKET HOLE COVER	8435 A SILVER	1
62	ROLLER BLOCK KEY	8572 AF	1
63	N.o8 x 38 PAN HEAD POZ S TAP ST/ST	1210 A SILVER	6
64	HANDLE WASHER	8439 GREY	2
65	HANDLE CAP WASHER	8257 A SILVER	2
66	HANDLE CENTRAL BAR	8250 A SILVER	1
67	M5 x 12 CSK SKT SCREW	1417 A SILVER	2
68	HANDLE SLEEVE	7645 A SILVER	2
69	CLEAR MATKI SEALANT 78g WITH LOGO	1967 AF	1



MAINTENANCE

Matki Glass Guard Easy Clean Surface Protection (optional) and General Cleaning Guide

Cleaning Instructions

Matki Glass Guard allows water to form minute beads which easily trickle off the surface of the glass. This makes the glass easier to clean - the glass does not need to be cleaned as frequently, but it does require occasional maintenance. As less cleaning is required the use of detergents can be minimised thus helping to protect the environment. The lifespan of the Matki Glass Guard is dependant on the frequency of use of the shower and the degree of water hardness.

The combination of alkaline materials and humidity affects glass in an extremely aggressive way. Do not use bleach, alkaline, acid-based or aggressive and abrasive glass cleaners, detergents or household cleaning products on the glass or frames.

We recommend that glass is washed down with clean water and a soft clean cloth or sponge and dried off with a microfibre cloth.

The special coating is only present on the inside of the glass.

Matki Glass Guard is guaranteed for 2 years provided that the guidelines and cleaning instructions are followed.

Aluminium and Chrome parts should be cleaned with a mild non scratch household cleaner and a soft cloth or sponge.

Do not use acidic-based descaler products or products which are unsuitable for cleaning enamelled surfaces, including abrasive cleaners or cleaners containing bleach or solvents, as the products will effect the anodised framework. Under no circumstances use cleaners with a pH level exceeding 8.

Matki does not recommend the use of 'Leave-on' shower cleaners on Matki Glass Guard Products.

Water Softeners and Glass Guard - Certain types of water softeners increase the alkalinity of the water due to a carry-over of Chloride during re-generation which can cause aggressive water spots on both untreated and Glass Guarded glass. If using a water softener we recommend a two-cylinder machine with automatic re-generation instead of a timer. If a single-cylinder water softener with timer is already installed it is recommended that after each shower excess water is removed from the glass with a squeegee or with a micro-fibre cloth.

Annual recommended maintenance - Matki recommend annually lubricating the barrel of the hinge with a lubricating spray such as WD-40 to remove dust build-up and to aid the movement of the hinge.



Wash down with clean warm water and a soft clean cloth or sponge.



Do not use bleach, alkaline or acid-based, aggressive or abrasive cleaning products.

Flash Bathroom Spray or Cif Bathroom Spray can be used on Matki Products. Read manufacturers label before using any cleaning materials.

IMPORTANT

Matki Glass Guard is guaranteed for 2 years. It is essential that the cleaning instructions are followed in order to maintain the hydrophobic properties of the glass coating. In the event of the failure to comply in any way with these instructions, any warranty or guarantee will be null and void.

MATKI PLC, CHURCHWARD ROAD, YATE, BRISTOL, BS37 5PL
TELEPHONE:01454 328816 (AFTER SALES) FAX:01454 328821 EMAIL: techsupport@matki.co.uk

