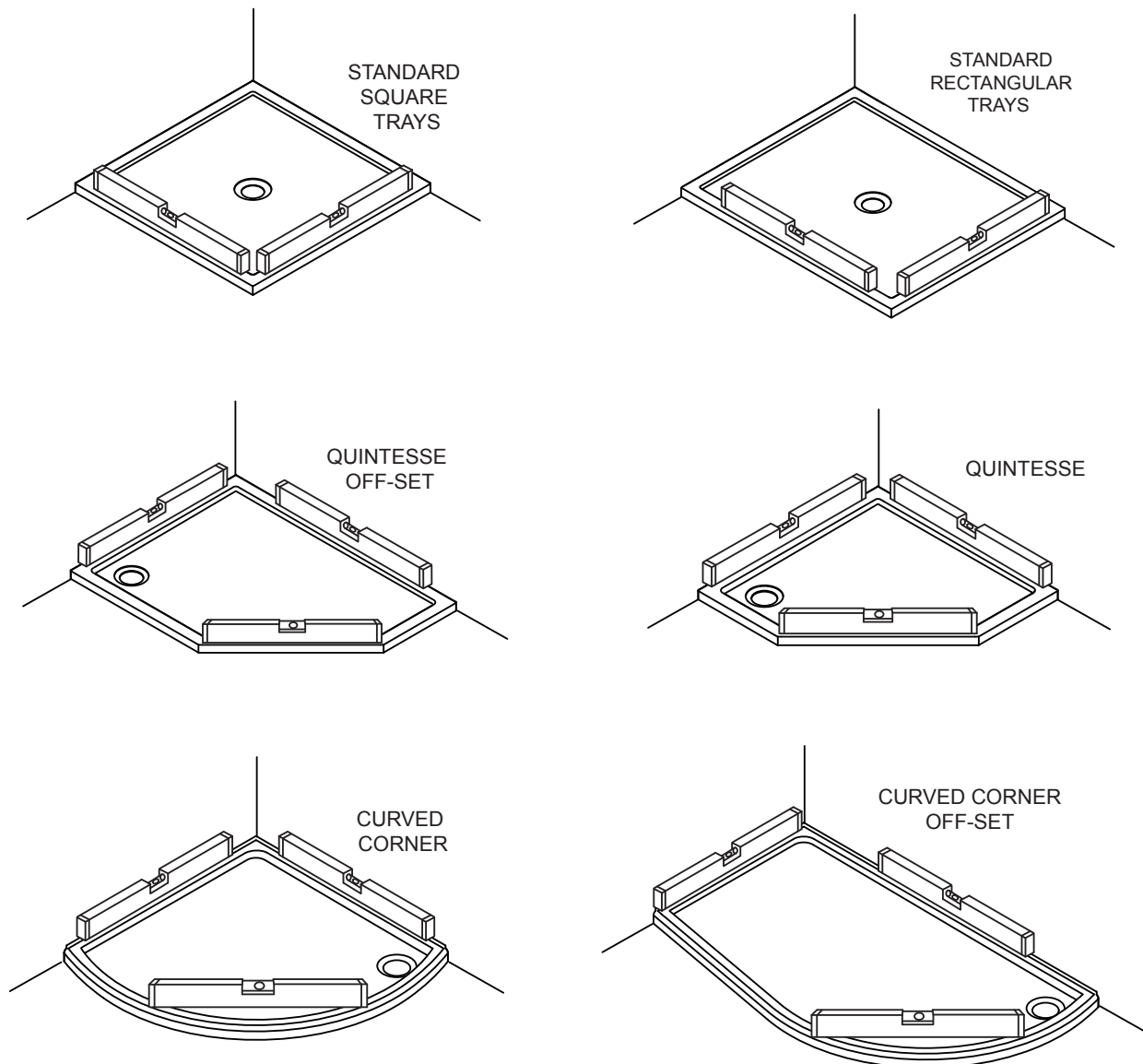


1

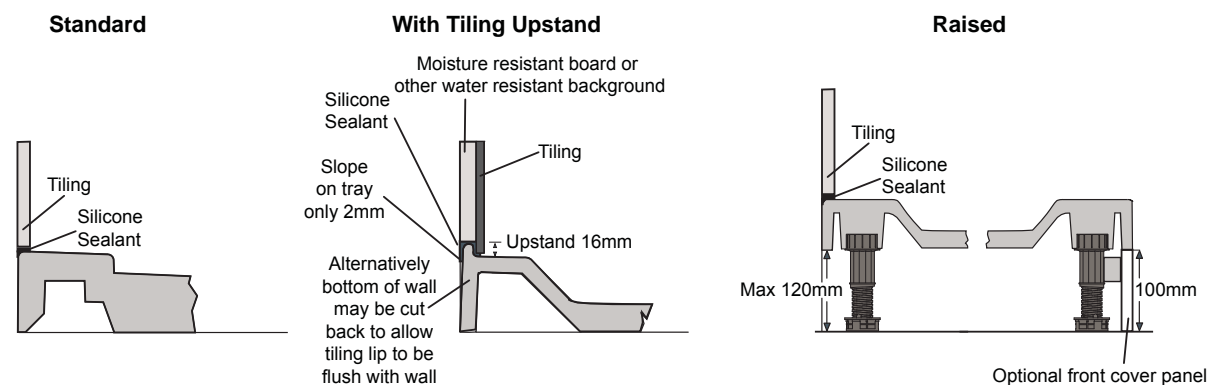
HOW TO LEVEL TRAY



IMPORTANT: A drainage test should be carried out before tray is tiled in.

2

TYPICAL INSTALLATIONS OF SHOWER TRAY



IMPORTANT: Apply Silicone Sealant along the joint between tray and tiles before fitting the shower surround.

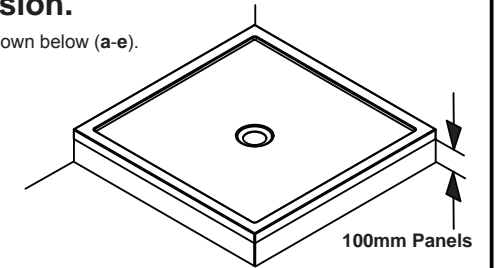
INSTALLATION OF ADJUSTABLE LEGS AND FRONT COVER PANEL FOR MATKI SHOWER TRAYS

Adjustable legs and panels are available on the following trays: Continental CL, Finesline SN and New Universal Colour UL, as well as the following product ranges; Boutique, Colonnade Curved, Radiance Curved, New Radiance and New Illusion.

• Place the tray upside down on a protective surface (i.e. cardboard) to protect the threshold from any damage and fit legs as shown below (a-e).

Where Leg Cups are not factory fitted, proceed as follows:

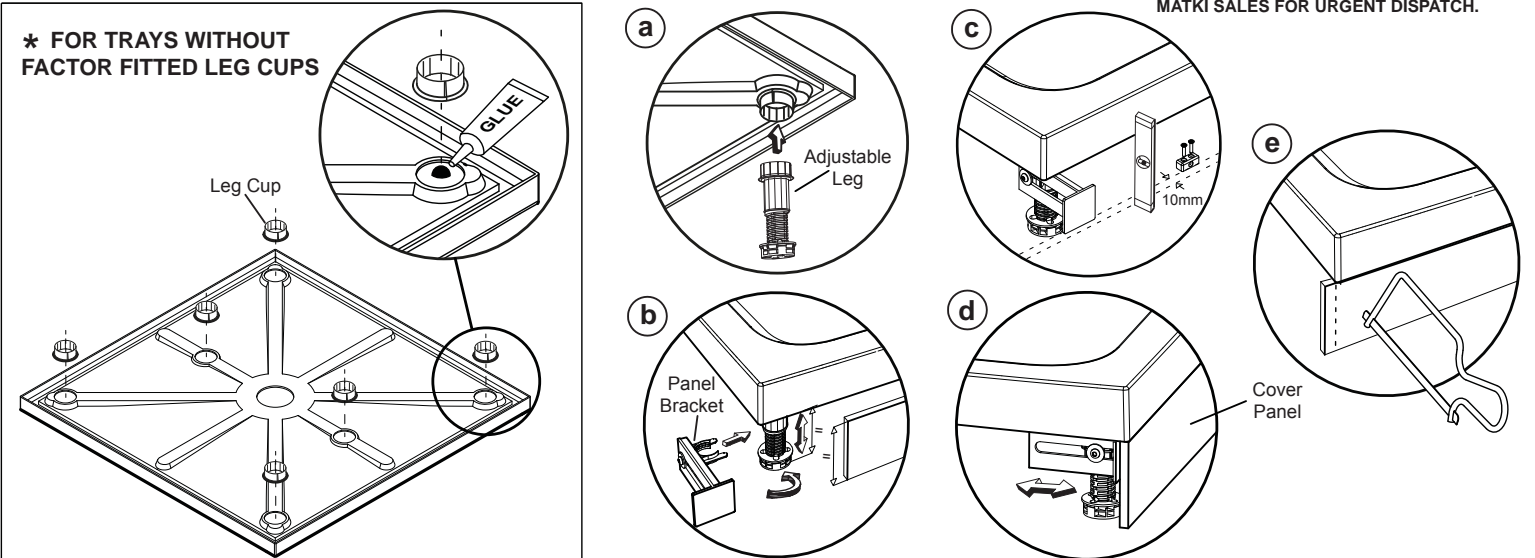
- With the glue supplied, apply a pea size amount of glue to the centre of the recessed foot location.
- Place the foot cup into the recessed location and gently press until the glue can be seen squeezing around the cup. Repeat this for the other locations.
- Leave for a minimum of 3 hours to cure.
- Push fit the adjustable legs into bonded cups (a).
- Adjust the height of the tray by winding the lower part of the leg to match the height of the front panel (b).
- If required clip the panel bracket's provided onto the legs that will be supporting the panel (b).
- If required fit the support blocks supplied between legs (c).
- Adjust the panel bracket's so that the panel is flush with the front face of the tray (d).
- The Matki panel(s) are supplied extra long and these can be trimmed to size if needed using a fine toothed hacksaw (e).
- Align the Velcro pads supplied with the panel bracket's and fit the panel.



RAISED TRAY OPTION AVAILABLE.

WHERE LEGS & PANEL ARE NOT SUPPLIED OR HAVE NOT BEEN ORDERED, CALL MATKI SALES FOR URGENT DISPATCH.

* FOR TRAYS WITHOUT FACTOR FITTED LEG CUPS



IMPORTANT

BEFORE DISPOSING OF PACKAGING PLEASE ENSURE THAT COLOUR AND SIZE OF TRAY IS AS ORDERED.

NO CLAIM FOR DAMAGE OR INCORRECT COLOUR CAN BE ACCEPTED ONCE TRAY IS INSTALLED.

In case of query, quote order reference and date code stamped on pack label. Do not dispose of packaging.

It is important that the top of the tray where the door/side panels are located is installed **absolutely level** (See diagrams) and the tray is draining correctly. A **drainage test** should be carried out before tray is tiled in. Please ensure the walls around the area the shower is to be installed are upright. The tray should be supported on an even floor under the complete base of the tray. We recommend that the tray is bedded on a flexible cement based tile adhesive to ensure complete support and level installation. Where fitting using Matki Adjustable legs, all legs must be adjusted to give firm support to the shower tray.

When installing with a shower surround, refer to installation instructions before fitting tray. Ensure that the tray and the shower surround dimensions are compatible, and that **min-max** tile thickness is suitable. It is important that an effective watertight silicone seal is applied between the tray and tiles **before** installing shower surround (See diagrams).

The shower surround should be fitted as per installation instructions and dimensions.

Protect standing area during installation. Acrylic Capped shower trays have a clear protective film; peel back from edges to be tiled and where shower surround is to be fitted. Remove complete film when installation has been completed.

To keep the shower tray looking new, clean with warm soapy water, rinse and dry off with a clean towel after use. Do not use abrasive household cleaners, scouring pads or acidic-based descaler products. Remove any rubber shower mats from tray after showering to avoid damage to tray and staining of tray surface. Please hand these instructions to the end customer.

Under no circumstances use cleaners with a pH level exceeding 8.

matki | SHOWERING

Matki Plc, Churchward Road, Yate, Bristol BS37 5PL

Fax: 44(0) 1454 328821 Tel: 44(0) 1454 328816 (Customer Services) Email: techsupport@matki.co.uk

