

# matki

# SHOWERING

## EX009, EX009/C EX011

INSTALLATION

PARTS LIST

\* OPTION AVAILABLE AT TIME OF PURCHASE

### TOOLS REQUIRED

Masonry Drill bit 6mm, Tape Measure, Screw Drivers, Safety Glasses, Electric Drill, Level, Pencil, Adjustable Spanners

Before disposing of carton and/or commencing assembly, please check all the parts to ascertain that none are missing and they are all undamaged. No claim for missing/damaged parts will be accepted once the packing carton has been disposed of and/or assembly has commenced.

In case of query contact your Stockist with details of model number and details of serial number.

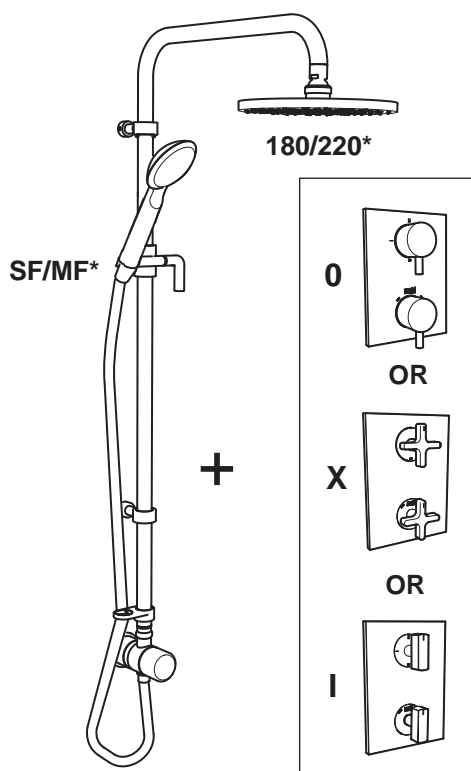
### PREPARATION

Please read complete installation instructions before fitting.

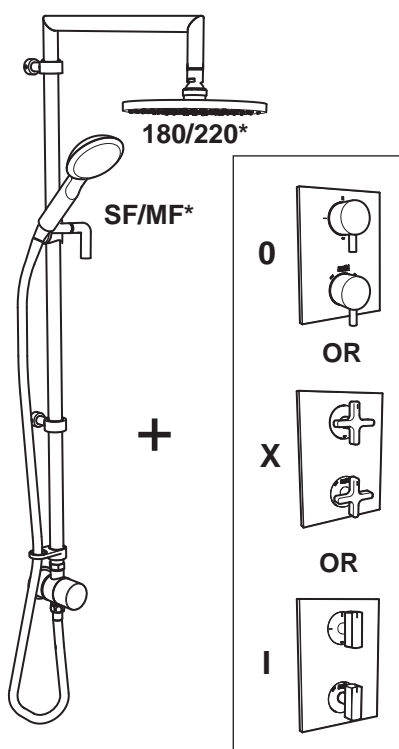
Carefully remove product from carton.

**CAUTION: POLISHED METAL AND CHROME CAN BE SCRATCHED.**

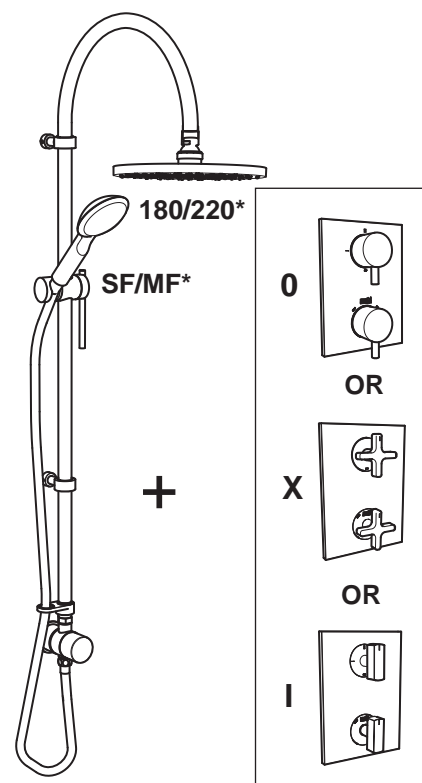
### EX009/C



### EX009/



### EX011

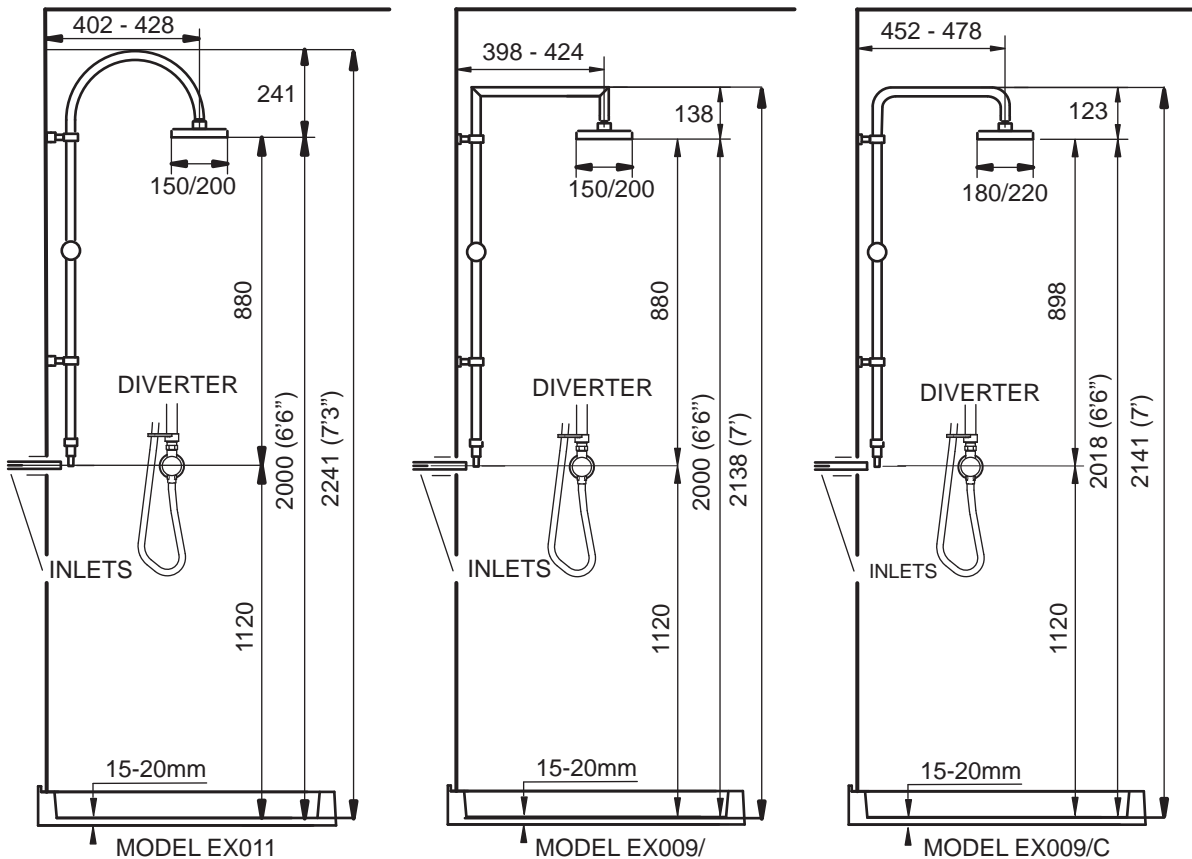


**MATKI PLC, CHURCHWARD ROAD, YATE, BRISTOL, BS37 5PL**  
TELEPHONE:01454 328816 (AFTER SALES) FAX:01454 328821 EMAIL:techsupport@matki.co.uk

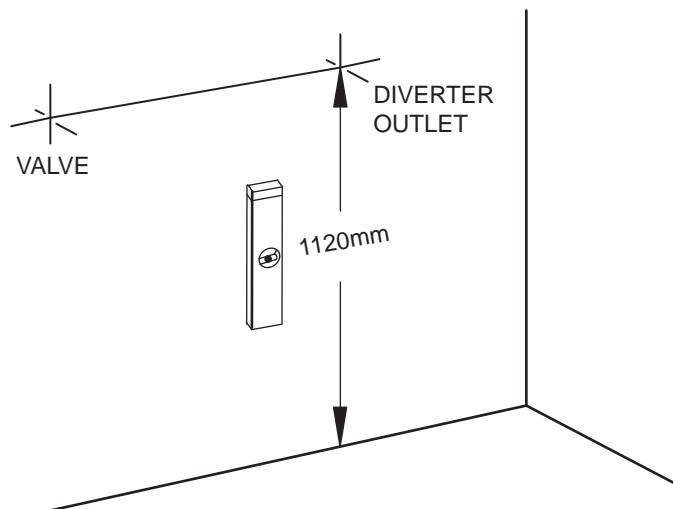
## DIMENSIONS

Dimensions are approximate due to nature of materials used. All dimensions are in millimetres.

Plumb the hot & cold inlets to the required height. As a guide this should be 1120mm from the internal standing area of the shower tray to achieve approximately 2000mm 6' 6" to the underside of the overhead shower head. The height of the overhead shower is not adjustable once fitted, increase the plumbing height of the hot and cold inlets to suit installations that require more overhead clearance, please consider the users height. Note the guide height is based on a 60mm high shower tray with an approximate depth in the base of the tray of 15-20mm. Please allow for additional height if a raised tray is used or if the overhead shower head is installed over a bath. **Important**, for inward opening shower doors ensure the doors do not collide with the Showerhead!



## STAGE 1



**This stage is describing the positioning of the Diverter for models EX009, EX009/C and EX011.**

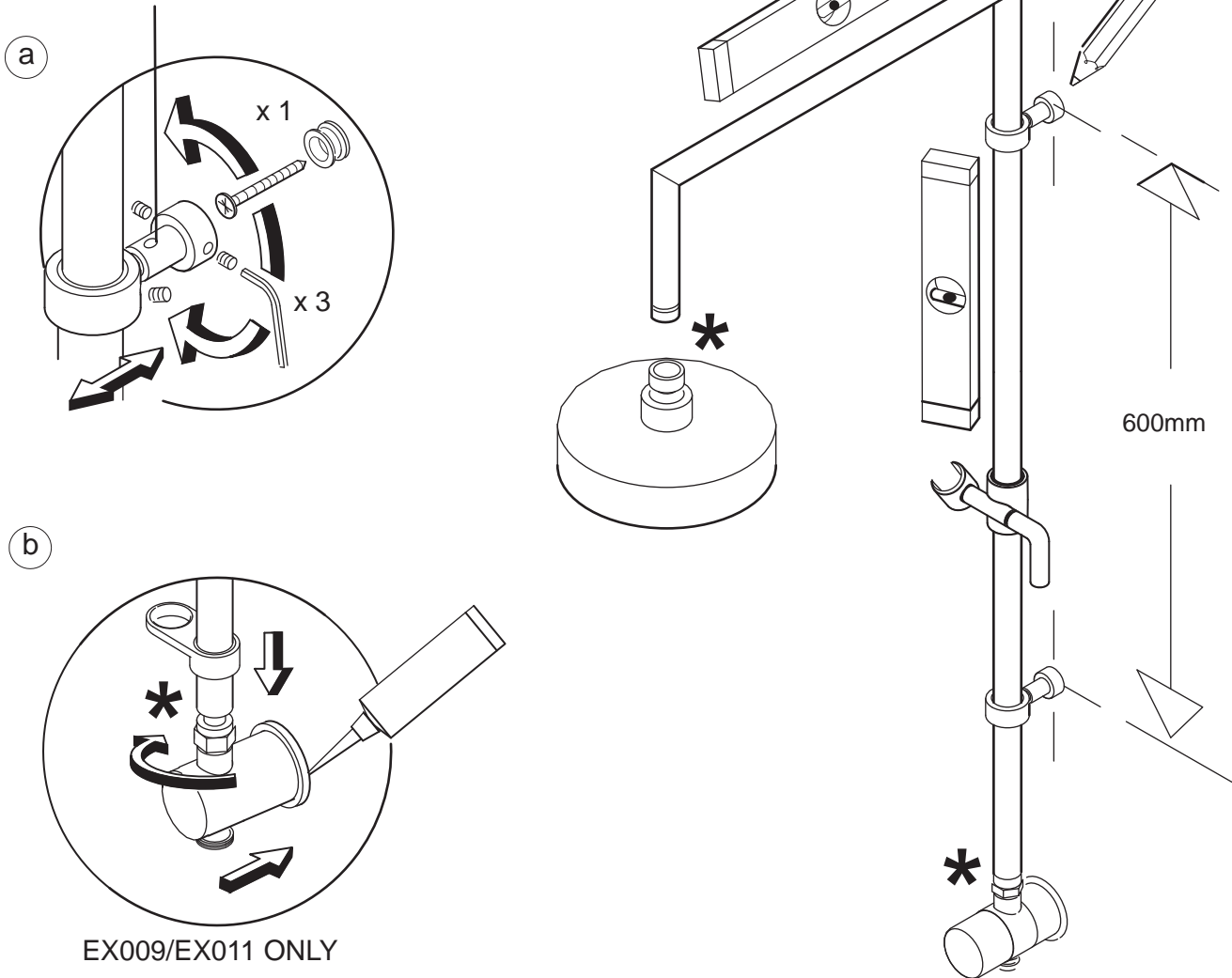
The position for the height of the Diverter at the bottom of the overhead rail is measured from the internal standing area of the shower tray. Using a level plumb 1120mm (as a guide) vertically up from the finished floor surface.

When fitting the Shower Mixer we recommend aligning the on/off control at the same centre height as the Diverter 1120mm vertically from the finished floor surface. Alternatively the Shower Mixer can be positioned where convenient.

**Please see the separate installation instructions for the Diverter and Shower Mixer.**

## STAGE 2

THIS SOCKET SET SCREW IS ONLY IN TOP WALL BRACKET.



EX009/EX011 ONLY

**Note:** Main image above shows Model EX009. Dimensions and symbols are the same for Model EX009/C and EX011.

### This Stage is describing the fitting of the Overhead Support Tube.

Align the Top Overhead Support Tube Wall Bracket (factory fitted) with the underside edge of the Deluge Head, position the lower Wall Bracket 600mm down from the Top wall Bracket.

**Important** - Please check that the lower wall bracket fixing does not interfere with the plumbing of the Diverter inlets from the Shower Mixer. Adjust the 600mm dimension as required.

Plumb the Overhead Support Tube for Upright and mark the centre for the Wall Bracket Wall Plates.

Carefully lift away the Overhead Support Tube, drill the fixing holes in the wall and insert the wall plugs. Secure the Wall plates using the No.8 x 38mm Csk Head Screws. (2a). Before refitting the Overhead Support tube into the Diverter ensure that the Handset Flex Loop is fitted on the support tube, above the Diverter but below the lower Wall Bracket. (2b) Carefully fit the Overhead support tube into the Diverter, adjust the Support Tube Wall Brackets to the Wall Plates and secure the Wall Brackets with the M5 x 5mm Socket Set Screws. (2a) Check that the Overhead support tube is level. Loosen the Wall Bracket Set Screws if adjustment is required. Tighten the M5 x 4 Socket Set Screw in the top wall Bracket. See (2a)

Carefully fit the Deluge Head. Tighten the Joints marked with \* on the main drawing. (2b) Fit the Shower Handset Flex to the bottom outlet of the Diverter and pass through the flex Loop then fit the Handset. Please use the thicker flexible hose washer supplied with the Diverter.

Test all connections for leakage tighten as required.

# MAINTENANCE

## General Cleaning Instructions

Chrome parts should be cleaned with a mild non scratch household cleaner and a soft cloth or sponge.

Do not use acidic-based descaler products or products which are unsuitable for cleaning enamelled surfaces, including abrasive cleaners or cleaners containing bleach or solvents, as the products will effect the anodised framework. Under no circumstances use cleaners with a pH level exceeding 8.

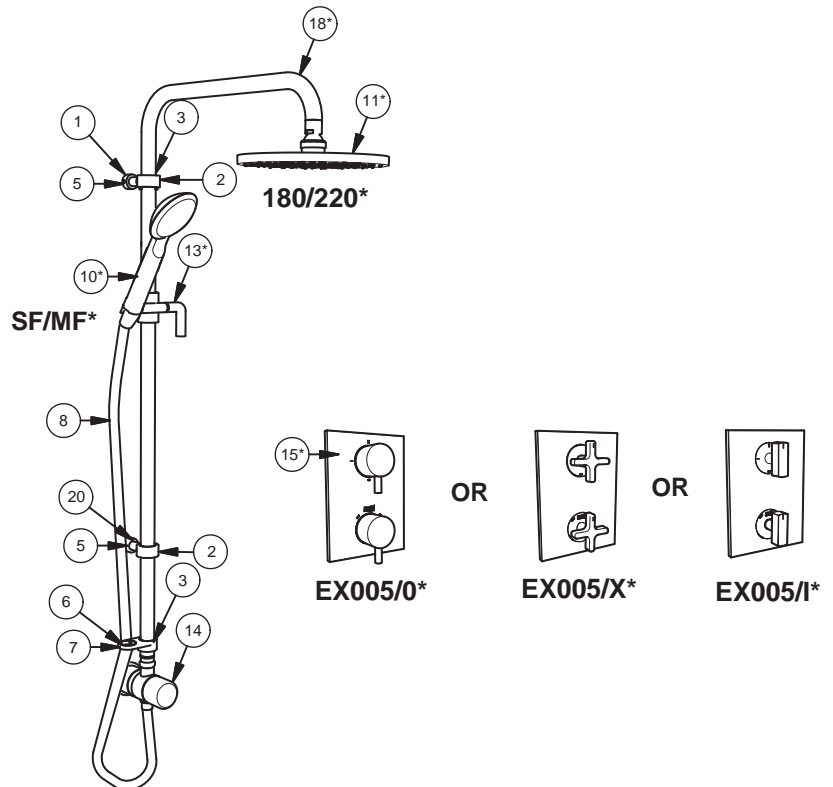
See Separate installation instructions for Maintenance and Servicing of the EX05/I/X/0.

We recommend that these instructions are handed to the user with a note of date of purchase, model details, and finish. To order replacements quote: Part Number, Model, Part Description and Colour.

Flash Bathroom Spray or Cif Bathroom Spray can be used on Matki Products.  
Read manufacturers label before using any cleaning materials.

# PARTS LIST

PARTS LIST			
ITEM	DESCRIPTION	PART No.	QTY
1	WALL BRACKET ADJUSTER	3691 A SILVER	1
2	WALL BRACKET	3692 A SILVER	2
3	WALL BRACKET SLEEVE	1872 WHITE	3
4	WALL PLATE	1485 AF	2
5	SKT SET SCREW	1502 A SILVER	7
6	RETAINING LOOP BUSH	1873 WHITE	1
7	FLEX RETAINING LOOP	3452 A SILVER	1
8	FLEXIBLE HOSE	FL8010	1
9	ALAN KEY 2.5mm	1168AF	1
10*	SOFT SPRAY HANDSET	DO28119	1
11*	SHOWER HEAD 180	EX180	1
12	CSK Self-Tapping Screw	1478 A SILVER	2
13*	SLIDING DEVICE ASSEMBLY (SEE CONTENTS BELOW)		1
13.1	SLIDING DEVICE BODY	1836	1
13.2	24mm RISER RAIL BUSH	1838	1
13.3	SLIDING DEVICE SPINDLE	1829	1
13.4	HANDSET HOLDER	1837	1
13.5	WASHER O.D 9.53	1645 AF	2
13.6	O-RING # 109	1596 AF	4
13.7	M4 x 12 SKT CAP	1296 A SILVER	1
13.8	M4 x 5 SKT SET	1297 A SILVER	1
13.9*	HANDLE (EX05/0)	1839	1
14	DIVERTER ASSEMBLY	NEW DIVERTER	1
15*	EX05/0 SHOWER VALVE & CONTROL	EX05/0	1
16	INSTALLATION INSTRUCTIONS	1088 AF	1
18*	CURVED OVERHEAD RAIL	1812	1
19	WALL PLUG	1818 AF	2
20	WALL BRACKET ADJUSTER 2	3669 A SILVER	1
<b>MODEL VARIANTS</b>			
10*	MULTI FUNCTION HANDSET	6505MT	1
10*	SQUARE HANDSET	2008ESP	1
11*	SHOWER HEAD 220	EX220	1
13*	SLIDER DEVICE (EX011 ONLY)	SC322229/01	1
13.9*	HANDLE (EX05/X)	1847	1
13.9*	HANDLE (EX05/I)	1848	1
15*	EX05/I SHOWER VALVE	EX05/I	1
15*	EX05/X SHOWER VALVE	EX05/X	1
18*	DELUGE HEADRAIL	3683 A SILVER	1
18*	SWAN NECK HEADRAIL	5128 A SILVER	1



\*ITEMS VARIES DEPENDING ON MODEL