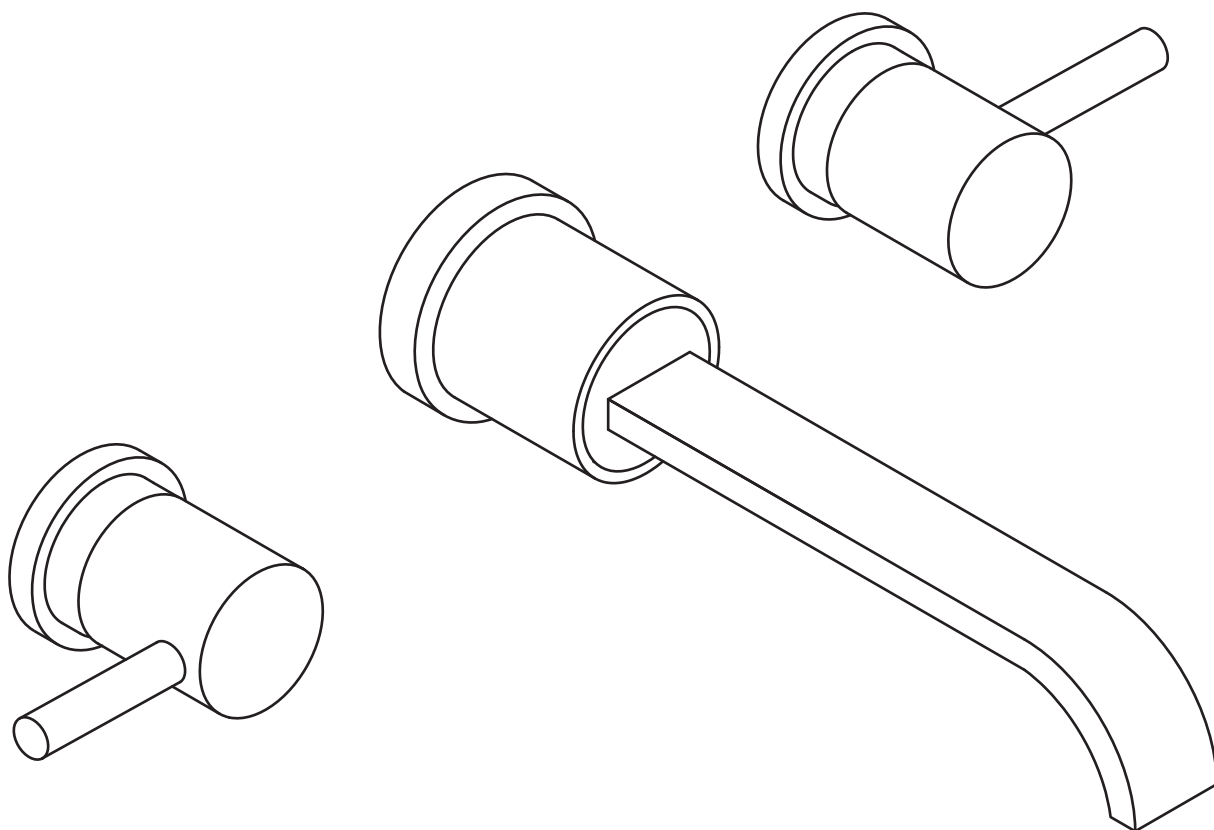


matki | S H O W E R I N G

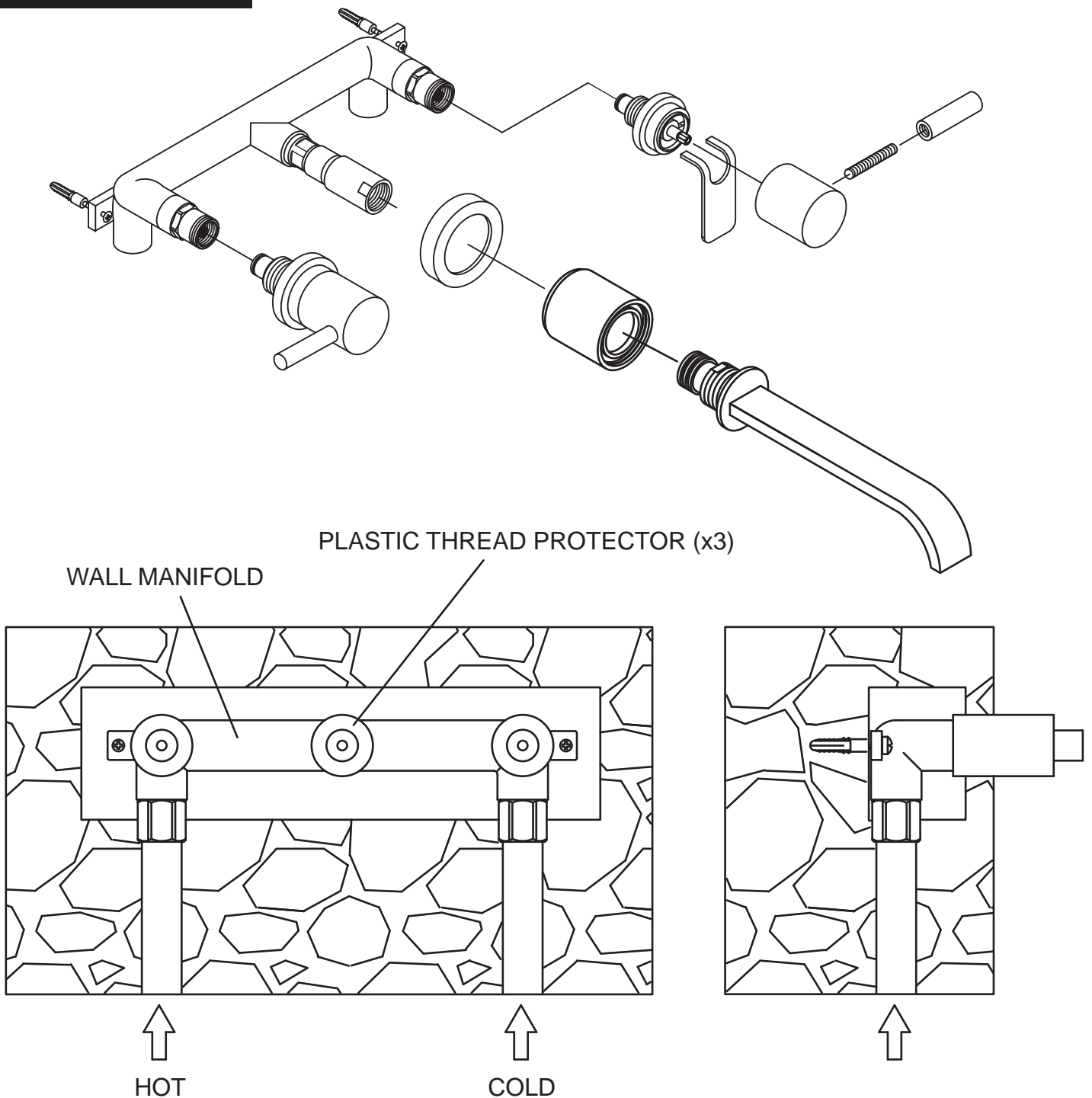
ELIXIR BASIN/BATH FILLER - CLASSIC DESIGN EXW5 - 150/185mm

INSTALLATION



MATKI PLC, CHURCHWARD ROAD, YATE, BRISTOL, BS37 5PL
TELEPHONE:01454 322 888 FAX:01454 315 284 EMAIL:techsupport@matki.co.uk

STAGE 1



PLASTIC THREAD PROTECTOR (x3)

WALL MANIFOLD

HOT

COLD

This stage illustrates the assembly of tap and spout body.

Recess the wall manifold into the wall, please ensure the manifold is mounted level and straight. The white covers on the tap and spout bosses protect the screws threads during installation. Remove for testing and replace until tiling is complete.

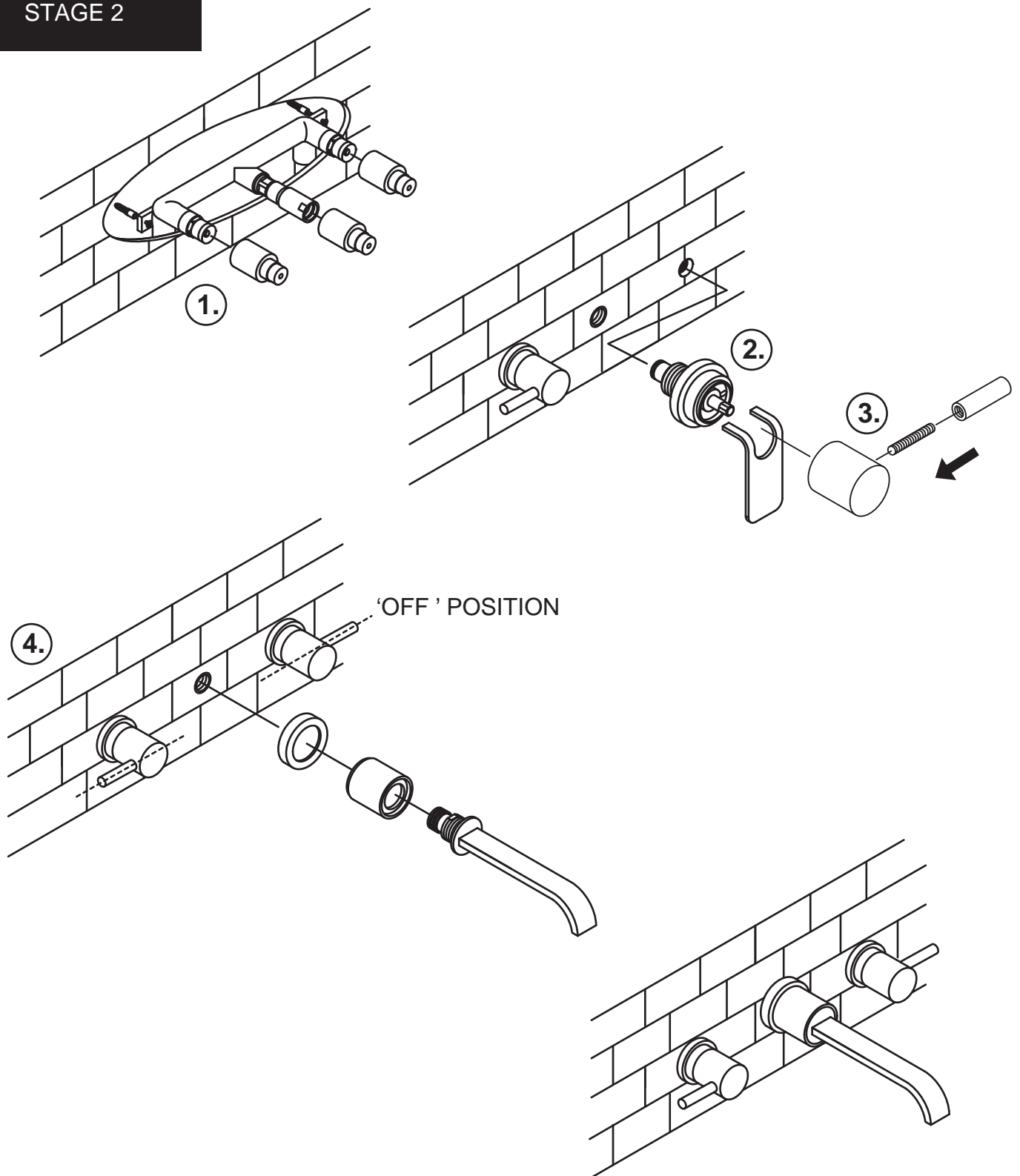
The **Hot** and **Cold** manifold inlets are ½" BSP Female parallel threaded connections.

Important, do not use tapered threaded adaptors when connecting to the **Hot & Cold** inlets.

Threaded joint connections should be made with PTFE tape. Do not use Oil based non setting jointing compounds. Please fit isolation valves to the **Hot** and **Cold** supplies as close as possible to the inlet connections.

Plumb **Hot** on the **Left**, **Cold** on the **Right**. Temporarily test the joints for leakage by fitting the Handles and Spout.

STAGE 2



This stage illustrates the final-fit of the tap handles and spout.

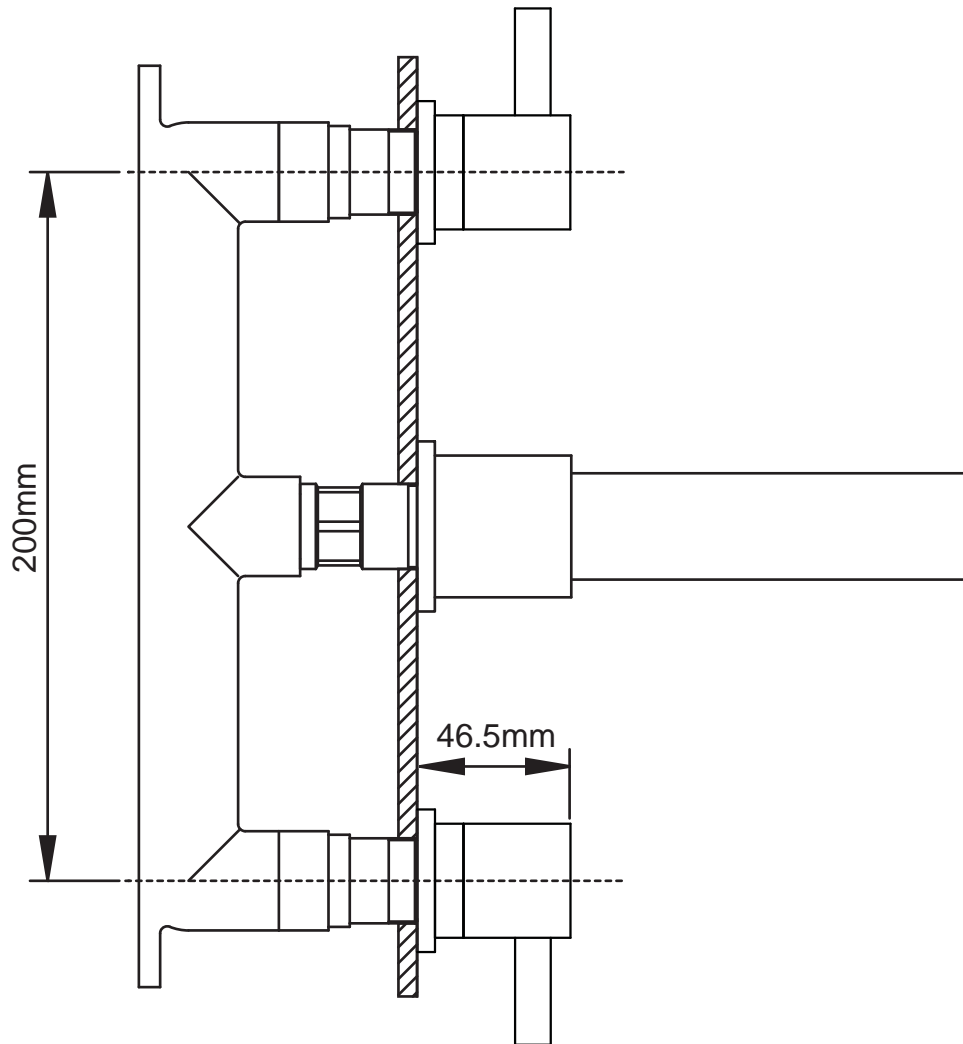
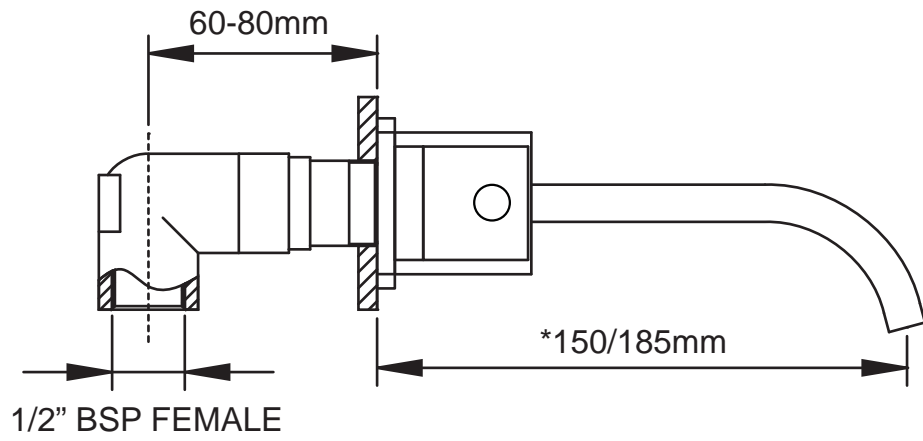
Remove the 3x plastic thread protectors from the wall manifold (1).

Screw the handle bodies on - use the tool provided to fully tighten the handle body to the wall (2).

Attach each handle to the handle body ensuring a 1/4 turn, on/off movement is achieved - and that 'Off' is in the horizontal position. Tighten the grub screw to secure the handle with the allen key provided and screw the lever into the fixing hole (3).

Screw-fit the spout to the spout outlet in the manifold and fully tighten to the wall (4).

DIMENSIONS



*Depending on model.
Dimensions are approximate. All Dimensions are in mm.