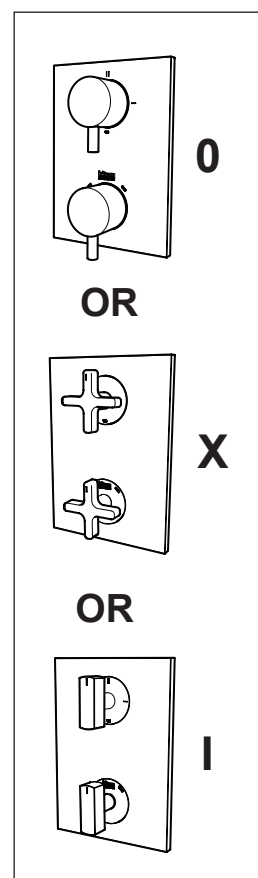
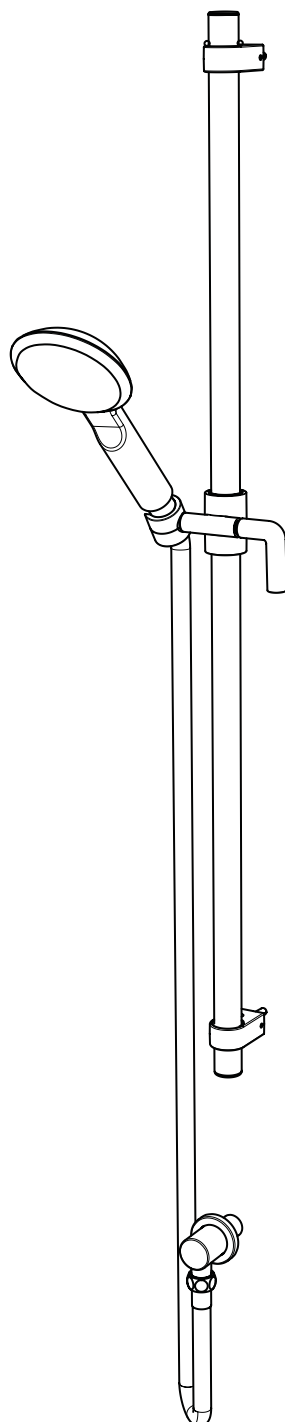


# matki | S H O W E R I N G

## CONCEALED SLIDE RAIL EX006

INSTALLATION

PARTS LIST



**MATKI PLC, CHURCHWARD ROAD, YATE, BRISTOL, BS37 5PL**  
TELEPHONE:01454 328816 (AFTER SALES) FAX:01454 328821 EMAIL:techsupport@matki.co.uk

## IMPORTANT

### TOOLS REQUIRED

Masonry Drill bit 6mm, Tape Measure, Screw Drivers, Safety Glasses, Electric Drill, Level, Pencil, Adjustable Spanners

Before disposing of carton and/or commencing assembly, please check all the parts to ascertain that none are missing and they are all undamaged. No claim for missing/damaged parts will be accepted once the packing carton has been disposed of and/or assembly has commenced.

In case of query contact your Stockist with details of model number and details of serial number.

#### PREPARATION

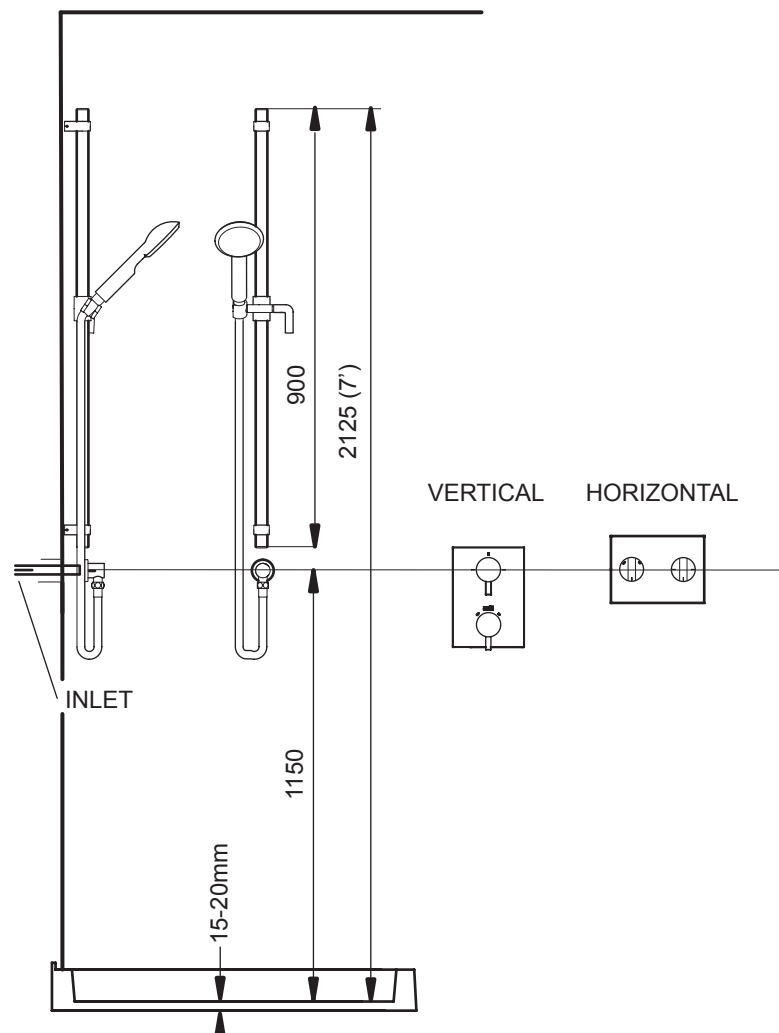
Please read complete installation instructions before fitting.

Carefully remove product from carton.

**CAUTION: POLISHED METAL AND CHROME CAN BE SCRATCHED.**

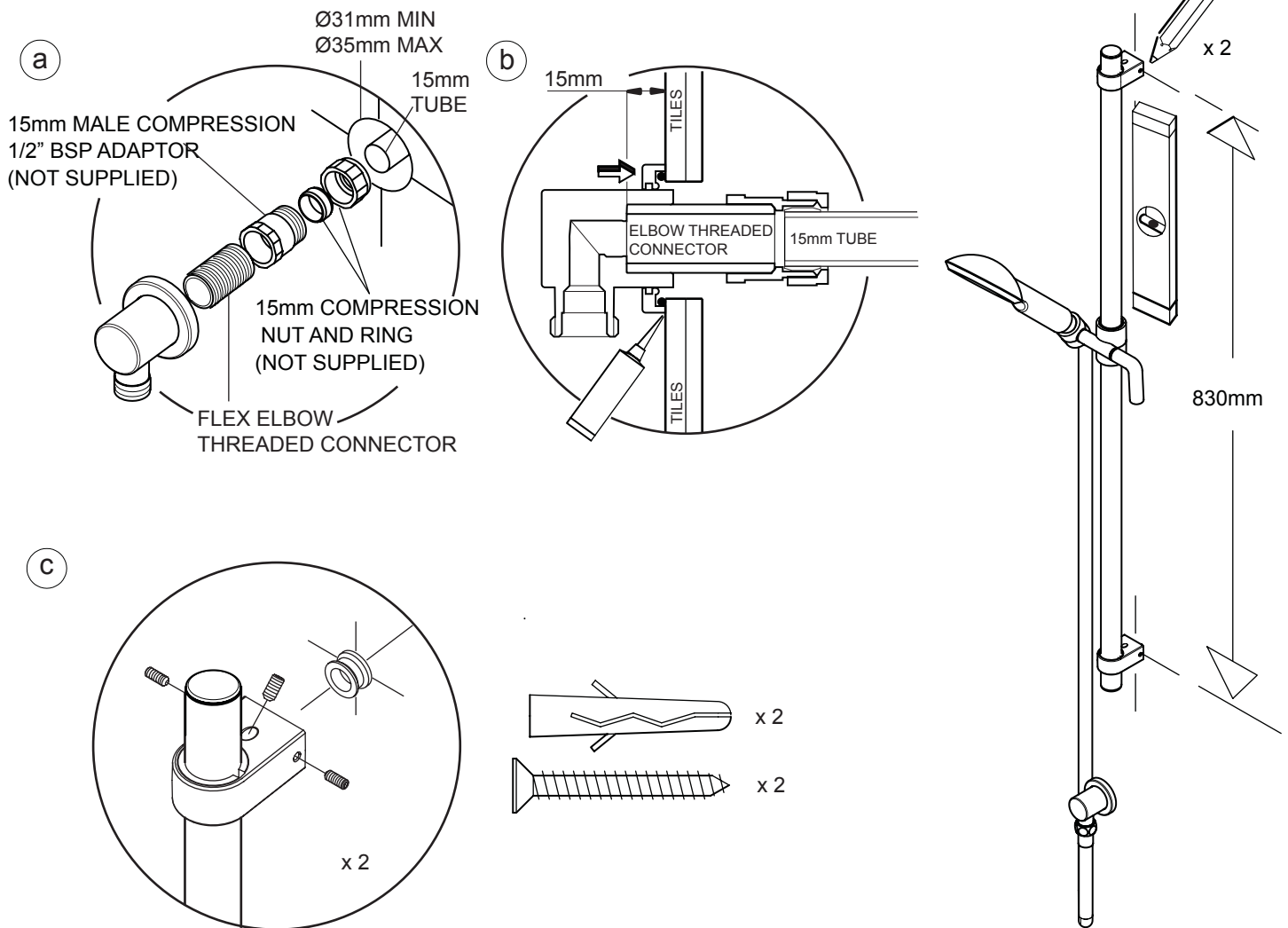
## DIMENSIONS

Plumb the mixer water outlet from the Elixir mixer to the Flex Elbow inlet. See below for example configuration, as a guide the Flex Elbow outlet can be plumbed inline with the On/off control on the Elixir mixer at a height of 1150mm from the standing area of the shower tray. Please consider the users height when deciding on a height for the Slide rail. Note the guide height is based on a 60mm high shower tray with an approximate depth in the base of the tray of 15-20mm. Please allow for additional overhead height if a raised tray is used or if the Slide rail is installed over a bath.



Dimensions are approximate due to nature of materials used. All dimensions are in millimetres.

## STAGE 1



**This stage is describing the fitting of the Slide rail and Flex elbow.**

**Please note: Threaded joint connections should be made with PTFE tape.** The outlet from the Elixir Shower Mixer is 1/2" BSP for 15mm tubing connecting to the Flex elbow inlet by a 15mm compression nut and ring (We also recommend the use of a 15mm Male compression 1/2" BSP adaptor, not supplied) (1a). The position for the centre of Flex Elbow inlet is measured from the base of the Shower tray. Using a level plumb 1150mm (as a guide) vertically up from the standing area of the Shower tray. As a guide configuration, line up the Shower Mixer On /Off control lever with the centre of the Flex elbow outlet at a height of 1150mm from the standing area of the Shower tray. Alternatively the Shower Mixer can be positioned where convenient. **Please see separate Valve installation instructions.**

Plumb the Flex elbow inlet to the desired position with the Flex elbow threaded connector extending 15mm from the finished wall surface, shorten the Flex elbow threaded connector if required. Please note:- A hole between a minimum Ø31mm to a maximum Ø35mm should be left around the plumbing for the Flex elbow once tiled (1a,b). Screw the Flex Elbow on to the Threaded connector with the Flex outlet facing downward. Apply a bead of silicon on the back of the Flex elbow sleeve and adjust the sleeve to the wall (1a).

To fix the Slide rail into position:- As a guide position the Lower wall bracket 830mm down from the Top wall bracket with equal amounts of tube extending at both end. The Wall brackets can be moved by loosening the Socket set screw in the top/underside of the Wall bracket, re-tighten Socket set screw after positioning. Position the Slide rail onto the Wall in desired position (see 'Dimensions' page for suggested height). Plumb the Slide rail for upright and mark the centre for the Wall bracket wall plates.

Carefully lift away the Slide rail, drill the fixing holes in the Wall and insert the Wall plugs. Secure the Wall plates using the No.8 x 32mm Csk Head Screws. (1c) Replace the Slide rail and secure the Wall brackets with the 2 M4 x 8mm Socket Set Screws. (1c)

Fit the Shower Handset Flex to the bottom outlet of the Flex elbow then fit the Handset.

Test all compression joints for leaks.

# MAINTENANCE

## General Cleaning Instructions

Chrome parts should be cleaned with a mild non scratch household cleaner and a soft cloth or sponge.

Do not use acidic-based descaler products or products which are unsuitable for cleaning enamelled surfaces, including abrasive cleaners or cleaners containing bleach or solvents, as the products will effect the anodised framework. Under no circumstances use cleaners with a pH level exceeding 8.

See Separate installation instructions for Maintenance and Servicing of the EX005/0/X/I mixer.

We recommend that these instructions are handed to the user with a note of date of purchase and model details. To order replacements quote: Part Number, Model and Part Description.

Flash Bathroom Spray or Cif Bathroom Spray can be used on Matki Products.  
Read manufacturers label before using any cleaning materials.

# PARTS LIST

