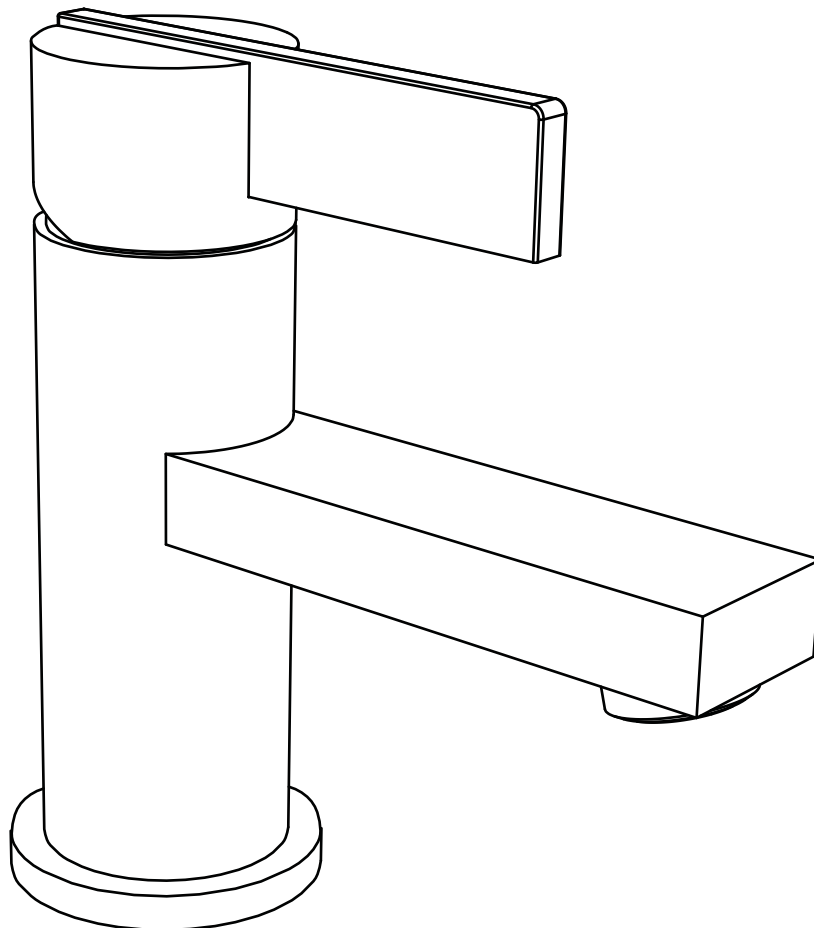


# matki | S H O W E R I N G

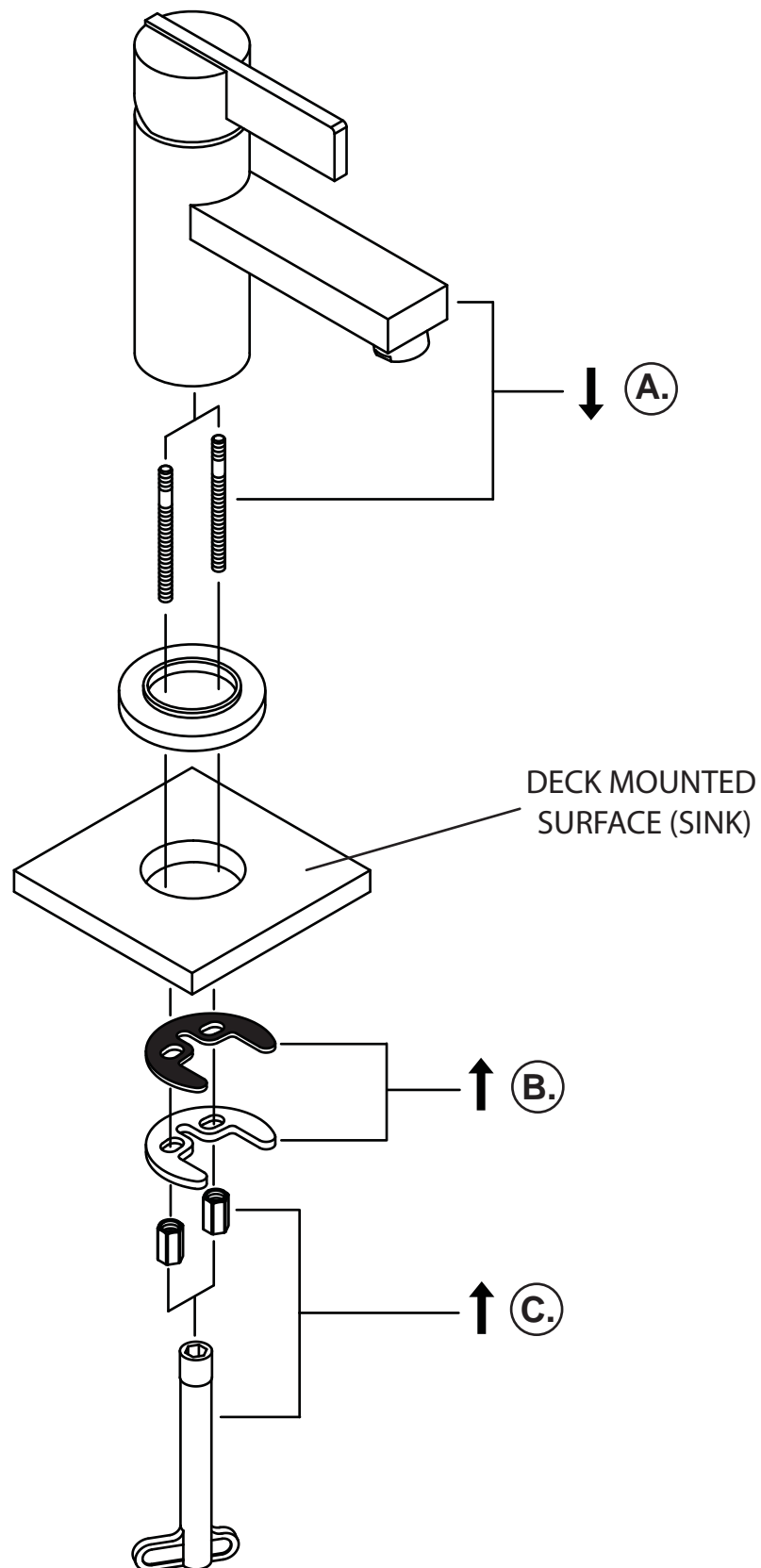
## ELIXIR SINGLE LEVER BASIN FILLER - BLADE DESIGN EXM20/MONO

INSTALLATION



**MATKI PLC, CHURCHWARD ROAD, YATE, BRISTOL, BS37 5PL**  
TELEPHONE:01454 322 888 FAX:01454 315 284 EMAIL:techsupport@matki.co.uk

## STAGE 1



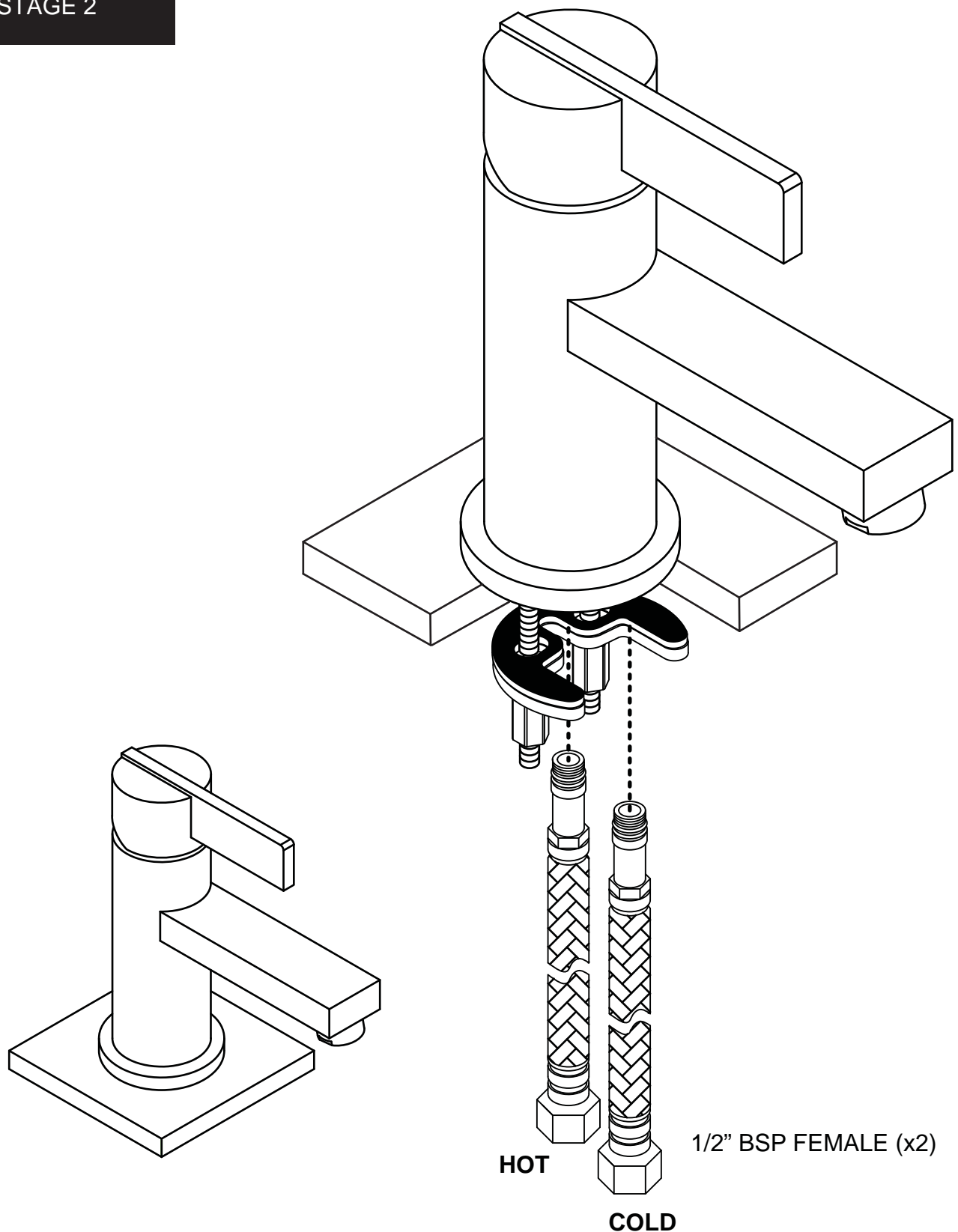
**This stage illustrates the assembly and mounting of model EXM20/MONO onto sink/surface.**

A. Screw the threaded pins to the underside of tap and fasten tightly. Assemble the pins through the cover disc - the cover disc nests neatly to the underside of tap. Place the assembly onto the sink/surface with threaded pins aligned through the hole.

B. Align the black, rubber disc and steel mounting disc onto the threaded pins - ensure the rubber disc assembles on to the pins first and the steel disc second.

C. Tighten the nuts onto the threaded pins - use the tool provided to clamp the assembly together, through the surface.

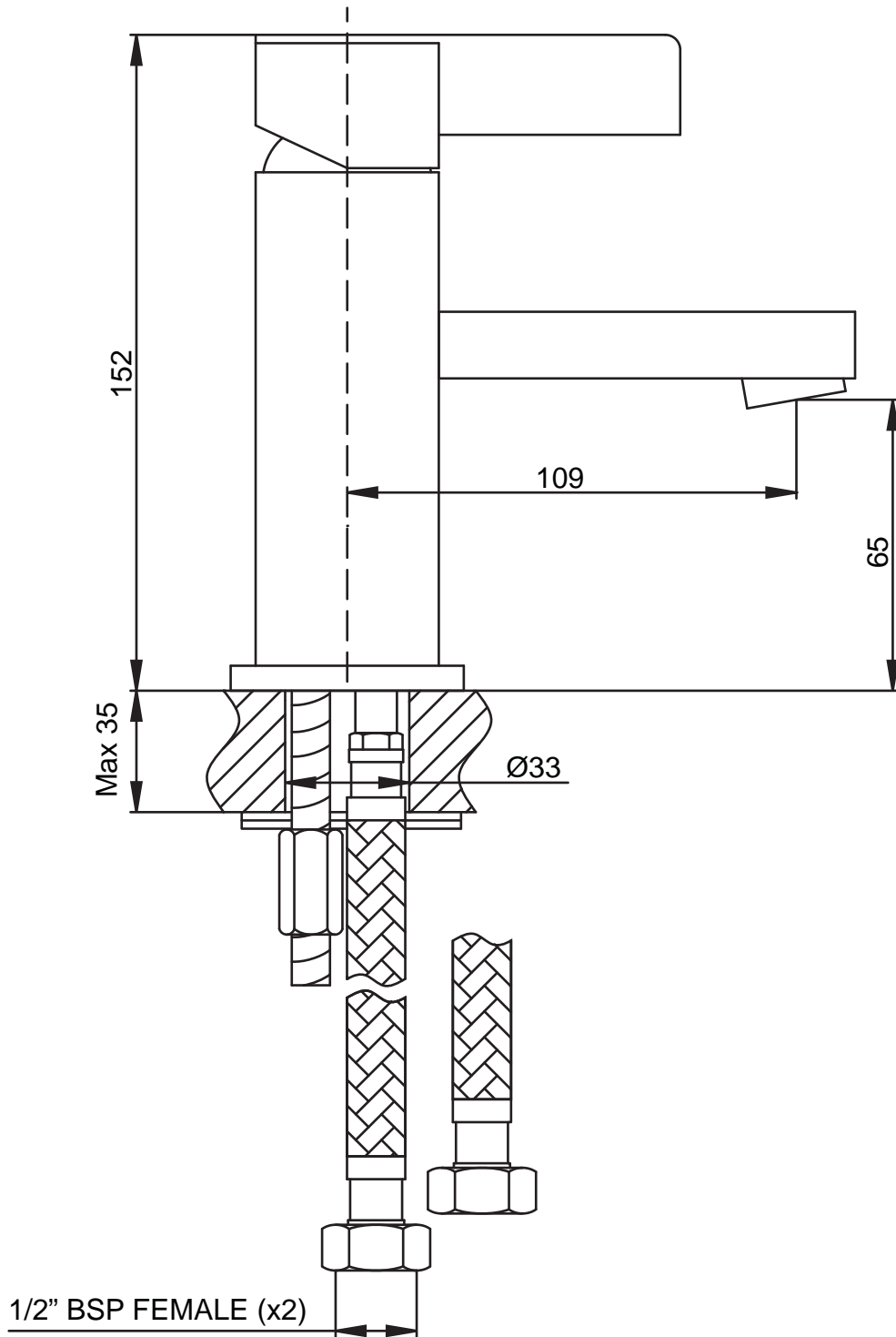
## STAGE 2



**This stage illustrates attaching the braided hoses ready to plumb.**

Screw the braided hose to the tap body leaving the 1/2" BSP female ends to plumb to. Plumb **Hot** water to the **Left Hand** braided hose and **Cold** water to the **Right Hand** braided hose. Use 1/2" BSP male, flat-face, non-tapered connectors.

# DIMENSIONS



Dimensions are approximate. All Dimensions are in mm.