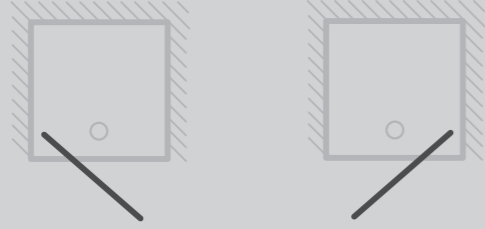


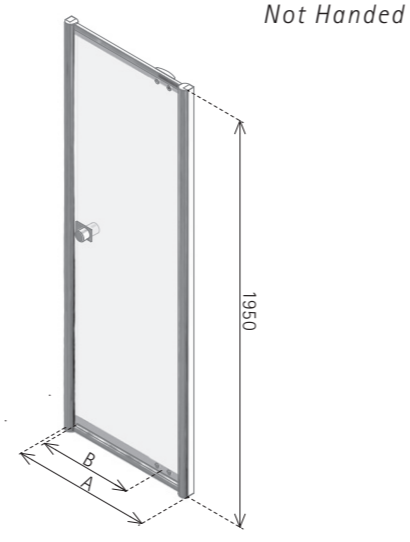
90 COLONADE PIVOT RECESS



NCP



For corner please see Colonade side panel on page 93



DIMENSIONS (MM) PRICES

MODEL	A	B	PRICE (EX. VAT)	PRICE (INC. VAT)
NCP7000 (PIVOT)	665-705	450	£744.00	£892.80
NCP7600 (PIVOT)	725-765	510	£758.00	£909.60
NCP8000 (PIVOT)	765-805	550	£765.00	£918.00
NCP9000 (PIVOT)	865-905	650	£815.00	£978.00
NCP1000 (PIVOT)	965-1005	750	£840.00	£1,008.00

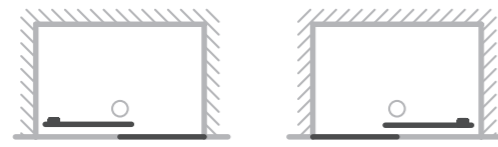
For corner please see Colonade side panel on page 93

- Not Handed
- Door can pivot from wall or side panel side
- Matki Glass Guard Easy Clean protection included
- 8mm Safety Glass
- High-lustre anodised Aluminium frame with Chrome finish
- NCP Doors are suitable for Corner or Recess. When fitting with a Side Panel deduct 20mm from adjustments dimensions (A)
- Patented pre-assembled FLS Front Loading System for easy installation with concealed screws and fittings (patent no. GB 228 9302B)
- Choice of handles: round Chrome handle or straight Chrome handle
- Aluminium drip channel minimises water outside shower when opening door
- Positive spring roller catch door closure
- Suitable for steam
- Recommended tray model - Finline 60 see page 121

COLONADE SLIDER RECESS

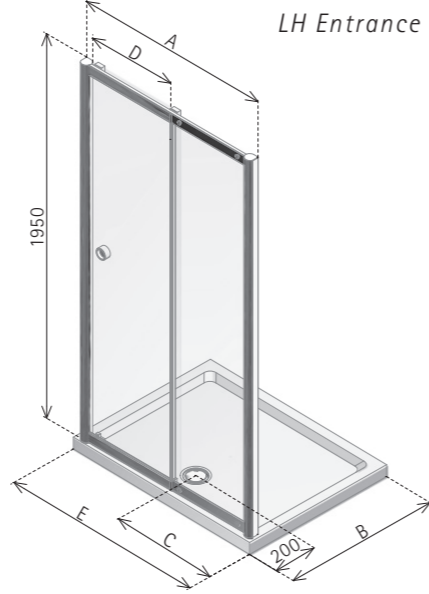


NSS



LH ENTRANCE RH ENTRANCE

For corner please see Colonade side panel on page 93



DIMENSIONS (MM) PRICES

MODEL	A	B	C	D	E	PRICE (EX. VAT)	PRICE (INC. VAT)
NSS1050D (DOOR)	1010-1040	-	-	405	-	£970.00	£1,164.00
NSS1050DT (DOOR+TRAY)	1010-1040	796	525	405	1050	£1,250.00	£1500.00
NSS1200D (DOOR)	1165-1205	-	-	465	-	£1,108.00	£1,329.60
NSS1200DT (DOOR+TRAY)	1165-1205	796	600	465	1200	£1,392.00	£1,670.40
NSS1500D (DOOR)	1465-1505	-	-	615	-	£1,219.00	£1,462.80
NSS1500DT (DOOR+TRAY)	1465-1505	900	748	615	1495	£1,580.00	£1,896.00
NSS1700D (DOOR)	1665-1705	-	-	805	-	£1,303.00	£1,563.60
NSS1700DT (DOOR+TRAY)	1665-1705	900	850	805	1700	£1,709.00	£2,050.80

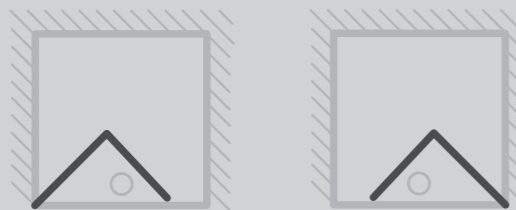
For corner please see Colonade side panel on page 93

- LH/RH Entrance, please specify
- Matki Glass Guard Easy Clean protection included
- 8mm Safety Glass
- High-lustre anodised Aluminium frame with Chrome finish
- NSS Doors are suitable for Corner or Recess. When fitting with a Side Panel deduct 20mm from adjustments dimensions (A)
- Patented pre-assembled FLS Front Loading System for easy installation with concealed screws and fittings (patent no. GB 228 9302B)
- Finline 60 shower tray (page 121) included in the DT price. DT available with Continental 40 (page 103) shower tray on request at no extra cost

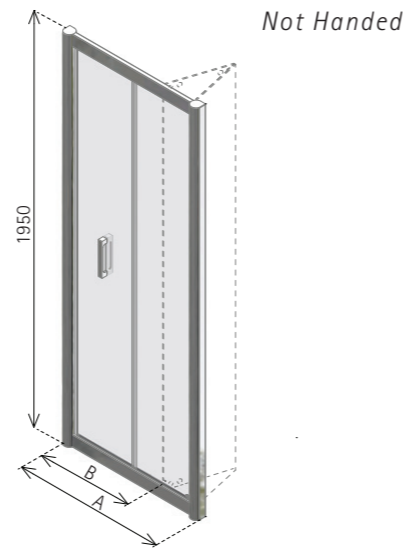
COLONADE INFOLD RECESS



NCI



For corner please see Colonade side panel on page 93



DIMENSIONS (MM) PRICES

MODEL	A	B	PRICE (EX. VAT)	PRICE (INC. VAT)
NCI7000 (INFOLD)	665-705	475	£827.00	£992.40
NCI7600 (INFOLD)	725-765	535	£840.00	£1,008.00
NCI8000 (INFOLD)	765-805	575	£848.00	£1,017.60
NCI9000 (INFOLD)	865-905	675	£869.00	£1,042.80

For corner please see Colonade side panel on page 93

- Not Handed
- Doors can be installed to open from wall or side panel side
- Matki Glass Guard Easy Clean protection included
- 6mm Safety Glass
- High-lustre anodised Aluminium frame with Chrome finish
- NCI Doors are suitable for Corner or Recess. When fitting with a Side Panel deduct 20mm from adjustments dimensions (A)
- Patented pre-assembled FLS Front Loading System for easy installation with concealed screws and fittings (patent no. GB 228 9302B)
- Super smooth gliding action
- Recommended tray model - Finline 60 see page 121