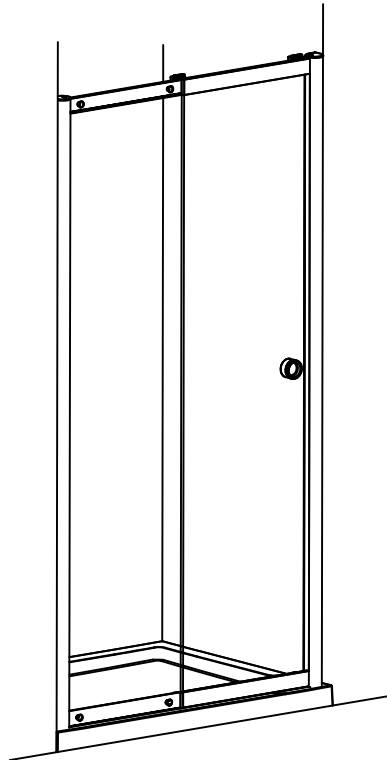


matki

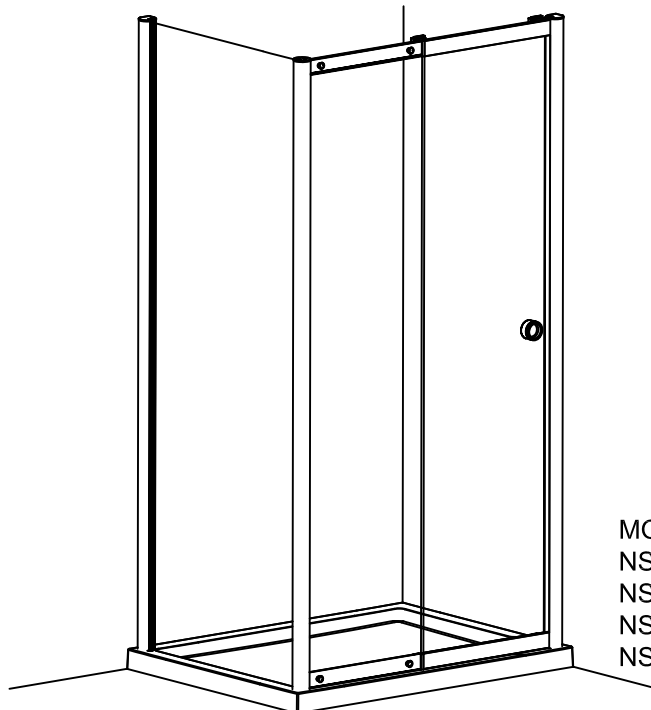
SHOWERING COLONADE STRAIGHT SLIDER

TRAY & DOOR
INSTALLATION

PARTS LIST



MODELS:
NSS RECESS 1050
NSS RECESS 1200
NSS RECESS 1500
NSS RECESS 1700



MODELS:
NSS/NSC CORNER 1050
NSS/NSC CORNER 1200
NSS/NSC CORNER 1500
NSS/NSC CORNER 1700

MATKI PLC, CHURCHWARD ROAD, YATE, BRISTOL, BS37 5PL
TELEPHONE:01454 328816 (AFTER SALES) FAX:01454 328821 EMAIL:techsupport@matki.co.uk

1079AF 04/16

IMPORTANT

Before disposing of carton and/or commencing assembly, please check all the parts to ascertain that none are missing and they are all undamaged. No claim for missing/damaged parts will be accepted once the packing carton has been disposed of and/or assembly has commenced.

In case of query contact your Stockist with details of model number and details of quality control slip.

Due to the weight of the surround and tray we recommend that two people are available for assembly.

PREPARATION

Please read complete installation instructions before fitting.

Ensure top of tray is level, tray should be let into wall to allow tiling to overlap the tray.

Carefully remove product from carton, do **not** place glass on hard floor or expose edges to impact. Note the glass sections are heavy and should be handled carefully.

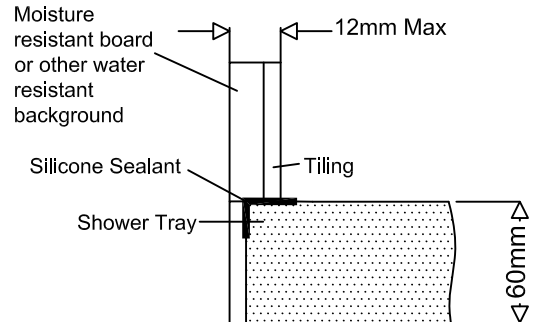
Ensure top of tray is level. Seal between tray and tiles.

Remove any excess sealant from the area/joint between the tray and tiles where the wall mount will be fitted this will ensure the wall frame fits correctly to the wall and tray.

CAUTION: TEMPERED GLASS CANNOT BE CUT, POLISHED METAL AND CHROME CAN BE SCRATCHED.

PLEASE FOLLOW INSTALLATION INSTRUCTIONS CAREFULLY.

Typical installation of shower tray



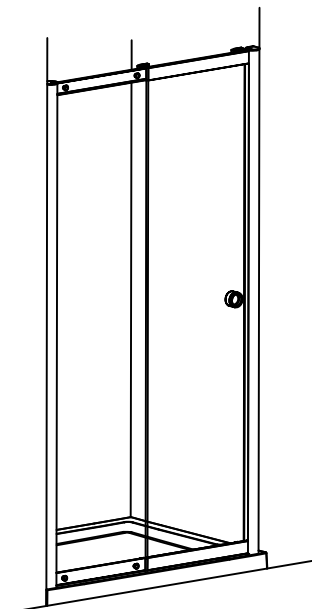
Ensure top of shower tray is level

TOOLS REQUIRED

Masonry Drill bit 6mm,	Electric Drill
Tape Measure,	Level
Screw Drivers,	Pencil
Safety Glasses	Non Slip Gloves

MODEL VARIANTS

This booklet contains installation instructions for all model variants. Please look at the images below to determine which stage to follow. The stages are clearly marked at the top of each page



MODELS:

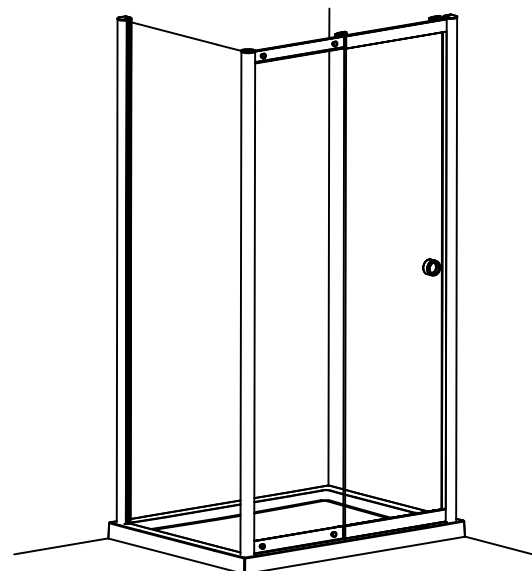
NSS RECESS 1050

NSS RECESS 1200

NSS RECESS 1500

NSS RECESS 1700

READ STAGES 1-4



MODELS:

NSS/NSC CORNER 1050

NSS/NSC CORNER 1200

NSS/NSC CORNER 1500

NSS/NSC CORNER 1700

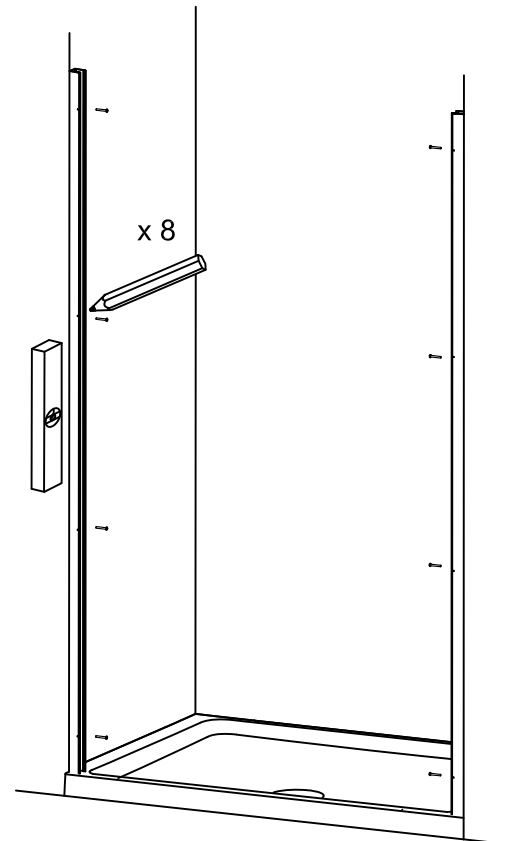
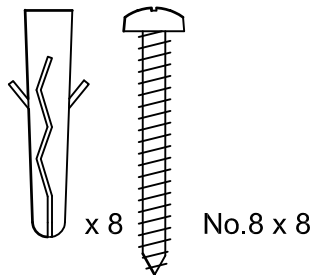
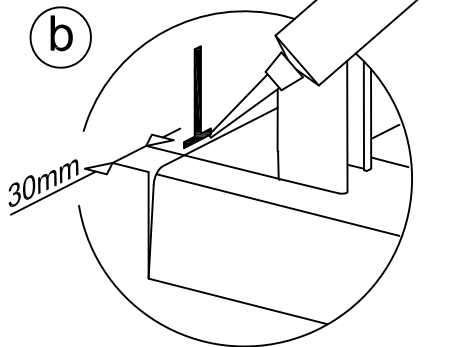
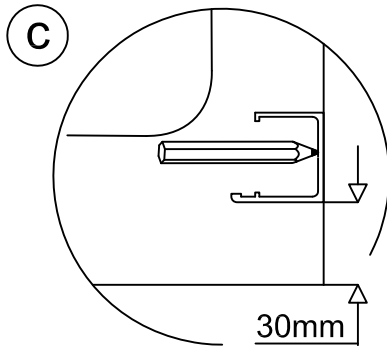
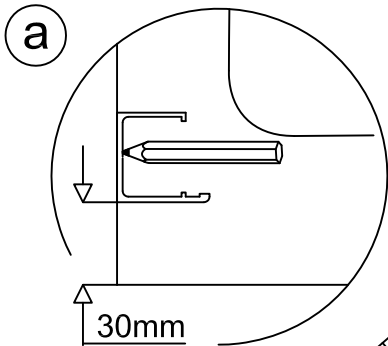
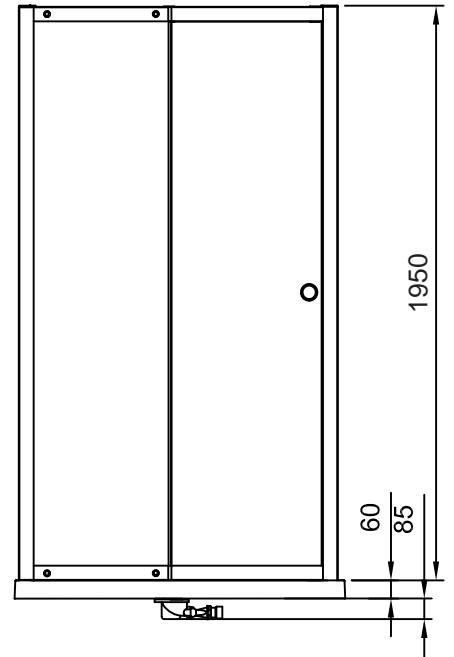
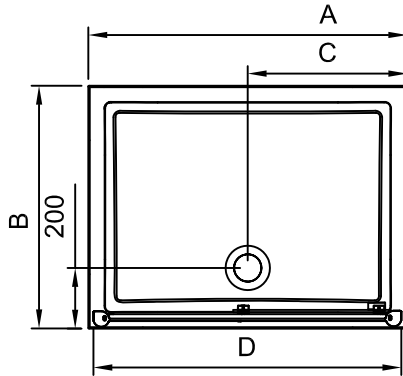
READ STAGES 5-7

STAGE 1

RECESS MODEL

MODELS	A	B	C	D
NSS RECESS 1050	1050	800	525	1010-1050
NSS RECESS 1200	1200	800	600	1165-1205
NSS RECESS 1500	1495	900	750	1465-1505
NSS RECESS 1700	1695	900	850	1665-1705

Model shown is NSS RECESS MODEL RH OPENING. Dimensions are approximate due to the nature of the materials used.



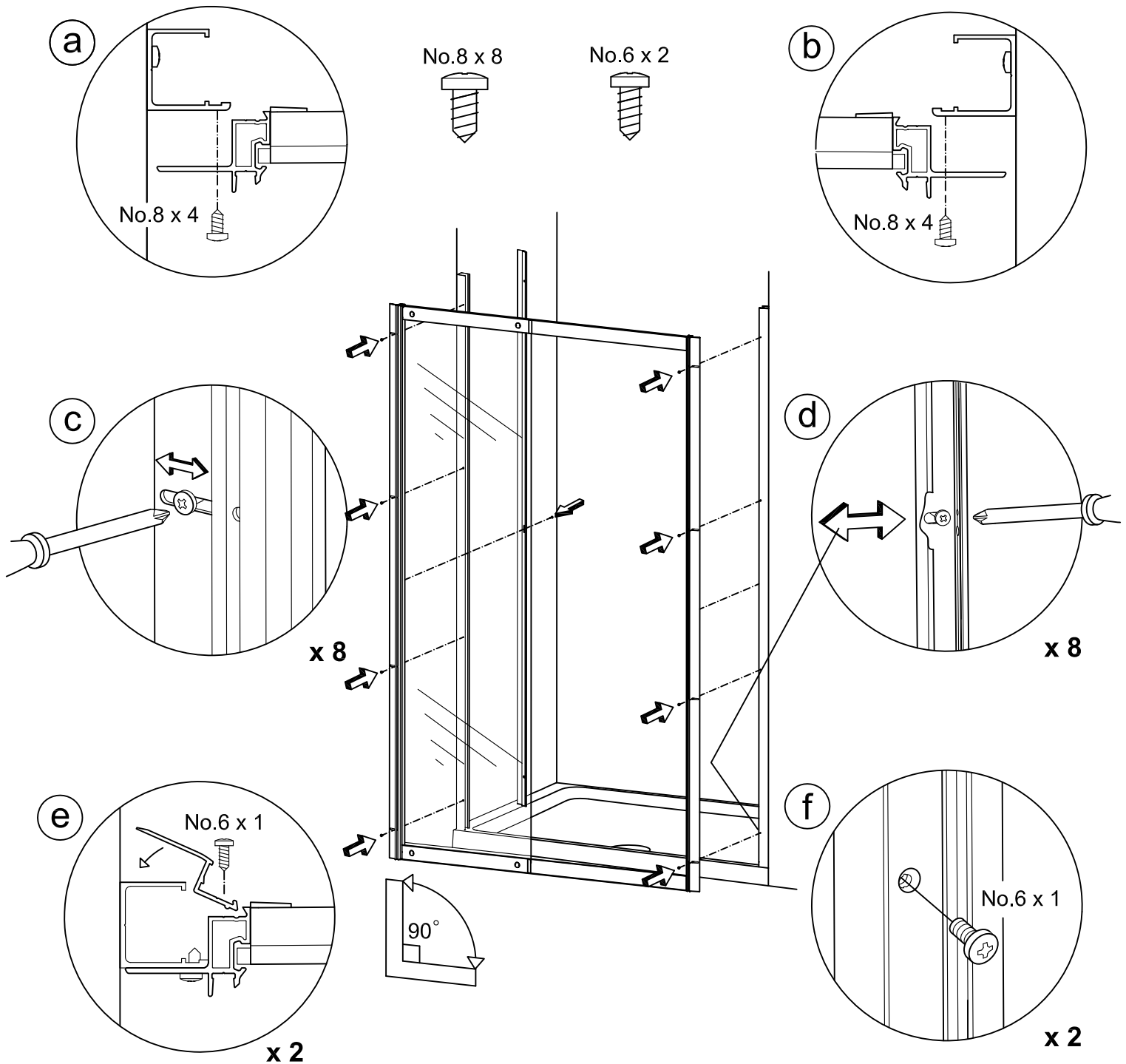
This stage is describing the Wall Mount installation for an NSS RECESS model.

Position the Wall Mount on the top of the tray so that the outside face of the Wall Mount is approximately 30mm from the outside top edge of the tray (1a,1b,1c). Plumb the Wall Mount for upright and mark the fixing holes on the wall in the centre of the slots. Drill the fixing holes in the wall and insert the Wall Plugs. Clean the area.

Apply Silicon Sealant to the area behind the Wall Mount between the tray and the tiles and 100mm up the wall, central to the width of the Wall Mount (1b). Fit the Wall Mount with the No.8 x 32mm Pan Head Wall Screws. Repeat this stage for the opposite Wall Mount (1c).

STAGE 2

RECESS MODEL



This stage is describing the fitting of the Door and frame Adjustment.

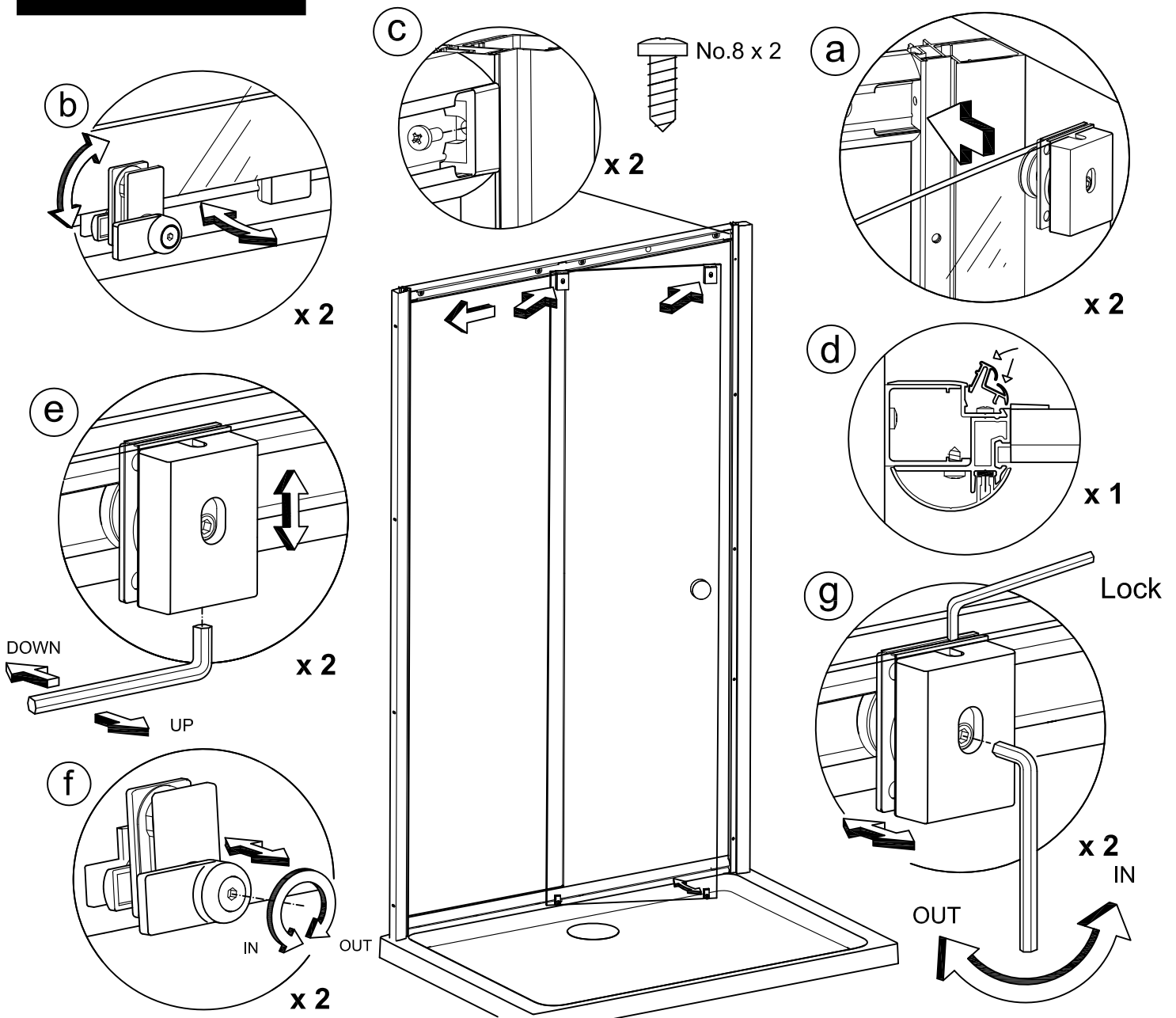
Carefully lift the Door assembly onto the tray taking care not to scratch or mark the Shower tray. Secure the door in place using the factory fitted No.8 x 9.5mm Pan Head Screws (2a,2b).

Adjust the door frame as required to centralise the door between the wall mounts, square the frame so that it is at 90 degrees to the shower tray. Adjust the wall mounts for upright eg. left to right as required by the wall mount screws and adjustment slots in the wall mounts (2d).

Fit the Inside Covers to the Vertical Frames using the centre fixing hole with the No.6 x 9.5mm Pan Head Screws (2e, 2f).

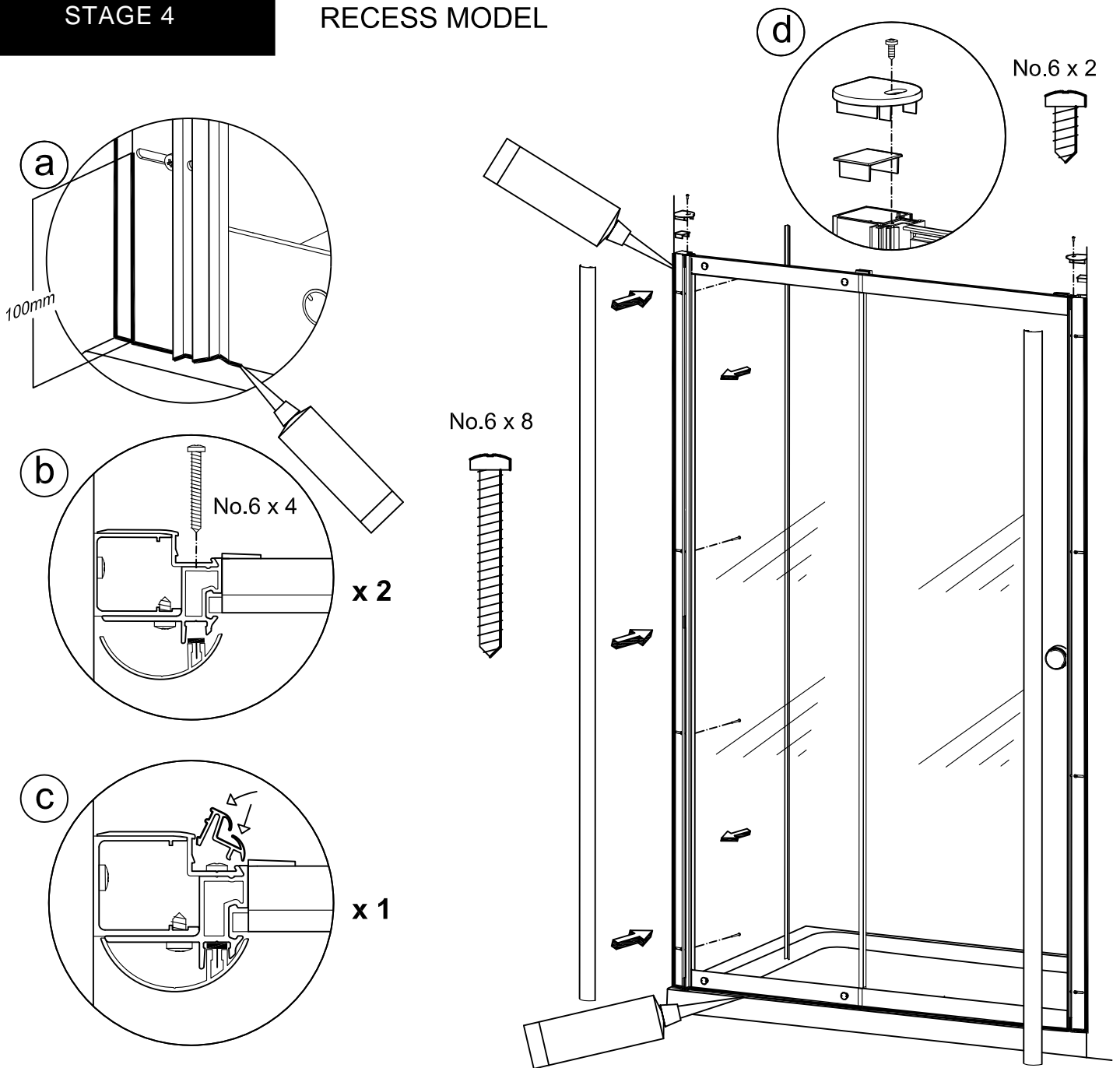
STAGE 3

SLIDER DOOR INSTALLATION AND ADJUSTMENT



This stage describes the fitting and adjustment of the Door panel.

Carefully lift the door through the Door aperture. First engage the door roller into the central opening in the top track then lift and move the door within the track to engage the second roller into the opening at the end of the track (3a). Rotate the Guide levers on the bottom edge of the glass to the horizontal position to allow the guides to fit under the bottom track guide rail, rotate the guides back into the vertical position to engage them into the bottom track (3b). Before adjusting the door fit the doors stops in the openings at the ends of the Top track and secure with the No.8 x 13mm Pan Head Screws (3c). Fit the Closing Seal into the Back Cover on the opening side vertical frame by fitting the small leg of the Seal in first then clipping the long leg of the Closing Seal into the back cover (3d). The Door Glass can be raised or lowered by adjustment in the roller blocks, the door is factory set in the lowest position. The door glass can also be moved in or outwards from the horizontal tracks to adjust to the closing seal or centre seal by adjusting the roller blocks and guides. To lower the door rotate the adjustment screw in the underside of the Roller Block Clockwise with the 4mm Allen key, to raise the door rotate Anti-clockwise (3e). To move the door glass closer to the top track, centre seal or closing seal rotate the adjustment screw in the back of the roller block Anti-clockwise with the 4mm allen key, to move the door away from the top track rotate Clockwise. Lock the in and out Adjustment in the roller blocks with the socket set screw in the top of the roller block using the 2.5mm Allen Key (3g). To adjust the door glass to the bottom track, centre seal or closing seal, firstly rotate the guide levers to dis-engage them from the bottom track (3b). Lift the door glass slightly away from the bottom track, rotate the guide levers Anti-clockwise to make the guide pull the glass closer to the bottom track, rotate the guide levers Clockwise to make the guide push the door glass away from bottom track (3f). Engage the guides back into the bottom track after adjustment (3b).

STAGE 4**RECESS MODEL****This stage is describing the Sealing and fitting of the Covers for a Recess Model.**

Apply a thin and even bead of clear silicon sealant along all outside joints. Seal between the shower enclosure and shower tray, wall mounts and tiled surfaces. Apply silicon sealant to the joint between the wall mount and vertical frame approximately 100mm up from the bottom (4a). Masking tape can be used to achieve a neat edge to the sealant, remove the masking tape immediately after the sealant is applied. When all the adjustments to the door have been completed fit the Front Covers. The covers can be removed for remedial sealing to be carried out.

Clip the Front Covers into the Vertical Frames (4b). From the inside of the shower enclosure secure the Front Covers and Back covers through the Vertical Frames with the No.6 x 32mm Pan Head Screws. Do not overtighten these screws. It is recommended that these screws are tightened by hand.

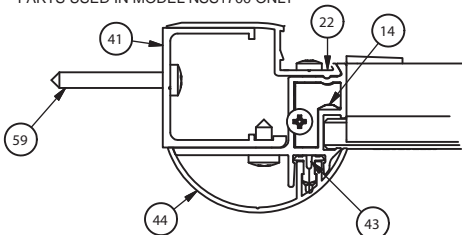
Fit the Closing Seal into the Back Cover on the fixed panel vertical frame shown by fitting the small leg of the Seal in first then clipping the long leg of the Closing Seal into the Back Cover. Start at the bottom and move upwards firmly pressing the cover into position (4c). Fit the Wall Mount Caps and Column Top Caps, secure the column top caps with the No.6 x 9.5mm Pan Head Screws (4d). On completion of all sections of Stage 4 it is recommended that the silicon sealant is allowed to cure for 24 hours before use.

PARTS LIST

NSS RECESS MODEL

NSS SLIDER PARTS LIST				
ITEM	DESCRIPTION	PART No.	QTY	LENGTH
1	FIXED PANEL GLASS (MODEL 1050)	8149 M CLEAR/PLAIN	1	
	FIXED PANEL GLASS (MODEL 1200)	8152 M CLEAR/PLAIN	1	
	FIXED PANEL GLASS (MODEL 1500)	8155 M CLEAR/PLAIN	1	
	FIXED PANEL GLASS (MODEL 1700)	8160 M CLEAR/PLAIN	1	
2	BOTTOM HORIZONTAL TRACK (MODEL 1050)	5074 A SILVER	1	
	BOTTOM HORIZONTAL TRACK (MODEL 1200)	5077 A SILVER	1	
	BOTTOM HORIZONTAL TRACK (MODEL 1700)	5313 A SILVER	1	
	BOTTOM HORIZONTAL TRACK (MODEL 1500)	5080 A SILVER	1	
3	TOP HORIZONTAL TRACK (MODEL 1050)	5073 A SILVER	1	
	TOP HORIZONTAL TRACK (MODEL 1200)	5076 A SILVER	1	
	TOP HORIZONTAL TRACK (MODEL 1500)	5079 A SILVER	1	
	TOP HORIZONTAL TRACK (MODEL 1700)	5312 A SILVER	1	
4	CENTRE STOP	5164 BLACK	1	
5	HOLE PLUG (NOT USED IN NSS1700)	5168 A SILVER	1	
6	HORIZONTAL INFILL FIXING	5156 BLACK	6	
7	FIXING WASHER	5148 A SILVER	10/12*	
8	HORIZONTAL CENTRE CAP 8mm	5166 AF	2	
9	GLASS BUSH	5140 BLACK	4/6*	
10	GLASS FIXING	5123 A SILVER	4/6*	
11	INFILL TRACK STRAIGHT (MODEL 1050)	5072 A SILVER	2	
	INFILL TRACK STRAIGHT (MODEL 1200)	5075 A SILVER	2	
	INFILL TRACK STRAIGHT (MODEL 1500)	5078 A SILVER	2	
	INFILL TRACK STRAIGHT (MODEL 1700)	5311 A SILVER	2	
12	M5 SOCKET CSK SCREW	1370 A SILVER	10/12*	8 mm
13	SLIDER FIXED CHASSIS 8mm RH	2769 A SILVER	1	
	SLIDER FIXED CHASSIS 8mm LH	2770 A SILVER	1	
14	SLIDER CHASSIS INFILL	5160 BLACK	4	
15	No8 PAN HEAD SCREW	1471 A SILVER	8	32 mm
16	SLIDER CHASSIS DOOR RH	7435 A SILVER	1	
	SLIDER CHASSIS DOOR LH	7436 A SILVER	1	
17	DOOR GLASS RH (MODEL 1050)	8150 M	1	
	DOOR GLASS RH (MODEL 1200)	8153 M	1	
	DOOR GLASS RH (MODEL 1500)	8156 M	1	
	DOOR GLASS RH (MODEL 1700)	8158 M	1	
	DOOR GLASS LH (MODEL 1050)	8151 M	1	
	DOOR GLASS LH (MODEL 1200)	8154 M	1	
	DOOR GLASS LH (MODEL 1500)	8157 M	1	
	DOOR GLASS LH (MODEL 1700)	8159 M	1	
18	SLIDER GUIDE	5144 A SILVER	2	
19	GUIDE BACK PLATE	5145 A SILVER	2	
20	GUIDE FRONT PLATE	5146 A SILVER	2	
21	GUIDE LEVER	5147 A SILVER	2	
22	BACK COVER	7424 A SILVER	2	
23	SLIDER GUIDE BUSH	5159 BLACK	2	
24	M4 SOCKET CSK SCREW	1499 A SILVER	4	8 mm
25	DOOR GLASS BUSH	2498 WHITE	2	
26	DOOR GLASS BUSH	2490 WHITE	2	
27	ROO GUIDE SPACER (0424125)	1634 AF	2	
28	ROO GUIDE SPRING	1911	2	
29	ROLLER BLOCK BACK PLATE	5152 A SILVER	2	
30	ROLLER BLOCK GASKET(8mm)	5158 CLEAR	4	
31	ROLLER BLOCK(8mm)	5149 AF	2	
32	ROLLER BLOCK FRONT PLATE	5150 A SILVER	2	
33	M5 SOCKET CAP SCREW	1372 A SILVER	2	12 mm
34	MODIFIED SOCKET SET SCREW	1369 A SILVER / 5435 AF*	2	
35	M5 SOCKET SETSCREW	1467 A SILVER	2	10 mm
36	M4 SOCKET CSK SCREW	1404 A SILVER	6/4*	16 mm
37	SLIDER HANDLE FRONT	5142 A SILVER	1	
38	SLIDER HANDLE BACK	5143 A SILVER	1	
39	HANDLE BUSH FRONT	5157 BLACK	1	
40	HANDLE BUSH BACK	5154 BLACK	1	
41	WALL MOUNT	7421 A SILVER	2	
42	CLOSURE GASKET	2426 AF	2	
43	COVER CLIP	5136 WHITE	6	
44	FRONT COVER	7423 A SILVER	2	
45	No8 PAN HEAD SCREW	1420 A SILVER	8	9.5 mm
46	CENTRE VERTICAL GASKET 8mm	2256 CLEAR	1	
47	BLUE DIAMOND ROLLER BEARING	1860 AF	2/4*	
48	INSTALLATION INSTRUCTIONS	1079 AF	1	
49	GUARANTEE BOOKLET	1061 AF	1	
50	M4 SOCKET CSK SCREW*	1499 A SILVER*	4	8 mm
51	M5 SOCKET DOMED SCREW*	1358 A SILVER*	2	8 mm
52	NSS1700 ROLLER CARRIAGE*	5437 AF*	2	
53	NSS1700 M8 SKT SET MODIFIED*	5436 AF*	4	

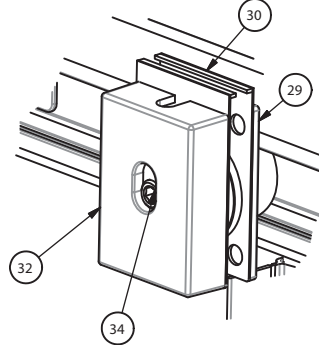
* PARTS USED IN MODEL NSS1700 ONLY



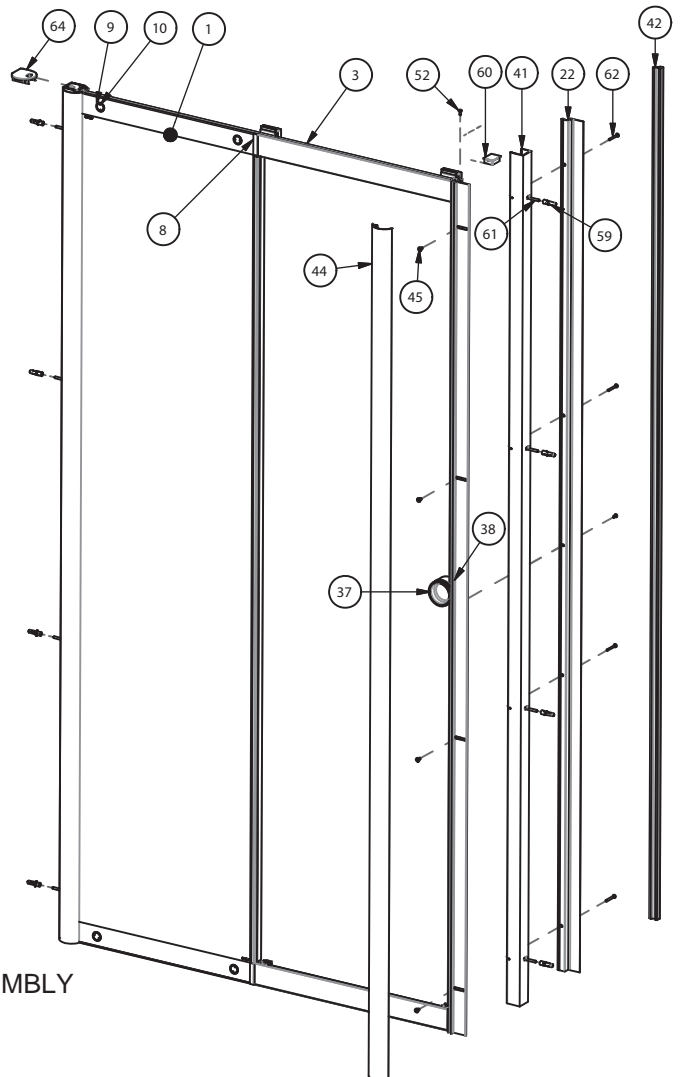
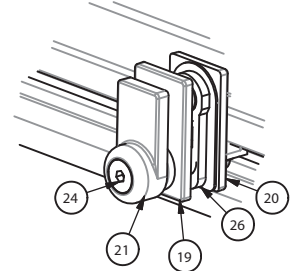
WALL MOUNT ASSEMBLY

NSS KIT OF PARTS(6005 AF)				
ITEM	DESCRIPTION	PART No.	QTY	LENGTH
54	CSC ALLEN KEY 2.5mm	1168 AF	1	
55	END STOP	5161 BLACK	2	
56	No6 PAN HEAD SCREW	1405 A SILVER	4	9.5 mm
57	No8 PAN HEAD SCREW	1424 A SILVER	2	13 mm
59	No8 PAN HEAD SCREW	1471 A SILVER	8	32 mm
60	WALL MOUNT CAP	5131 A SILVER	2	
61	WALL PLUG	1818 AF	8	
62	No6 PAN HEAD SCREW	1494 A SILVER	8	32 mm
63	RECESS TOP CAP RH	5129 A SILVER	1	
64	RECESS TOP CAP LH	5132 A SILVER	1	
65	WOO ALLEN KEY 4mm	1166 AF	1	
67	CLEAR SILICONE SEALANT 78g	1967 AF	1	
68	EZ PARTS KIT BAG(GT4) 3.5" X 4.5" GRIP SEAL	4420 AF	1	
69	ECC PARTS KIT BAG(PL7)	4431 AF	1	
70	SH PARTS KIT PLASTIC BAG HW 30	4435 AF	1	
71	LUBRICANT	1972	1	

ROLLER BLOCK



GUIDE



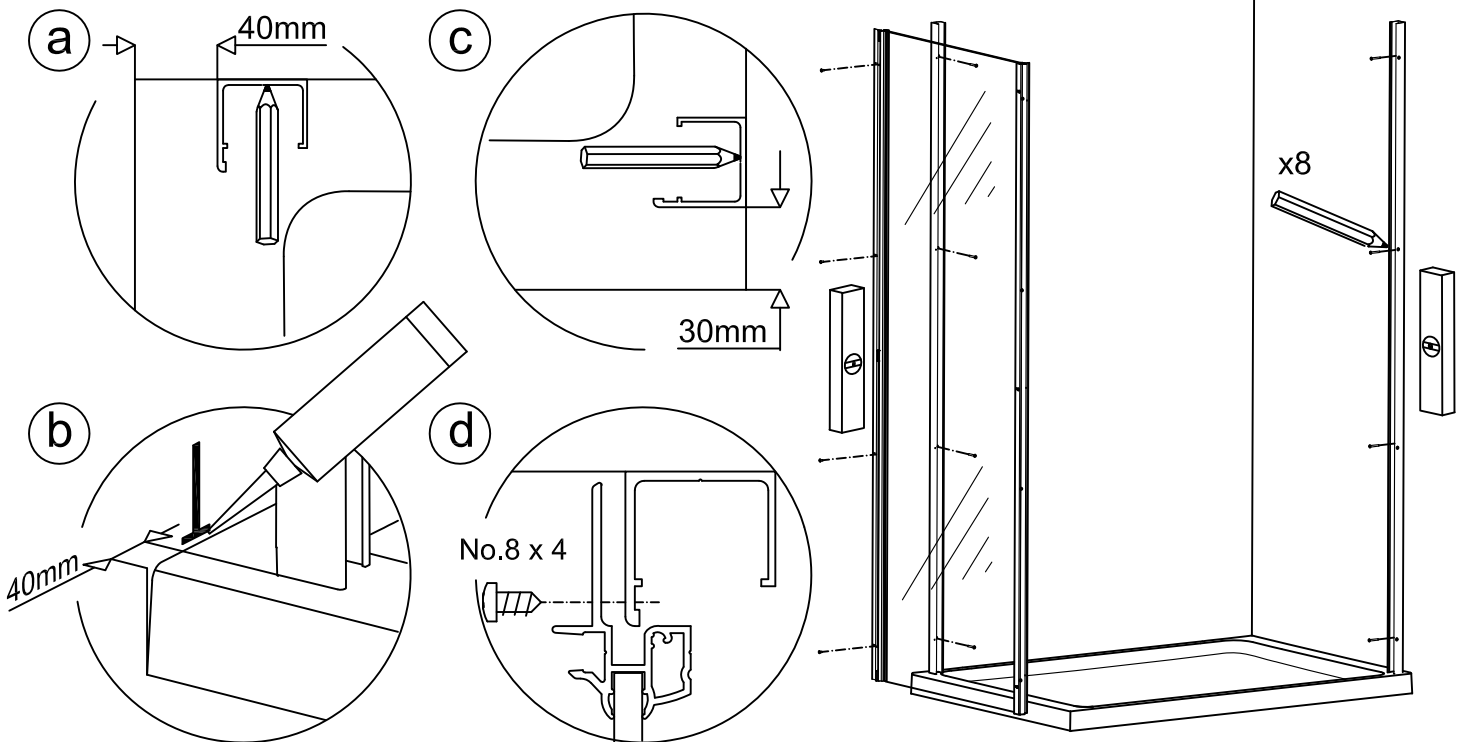
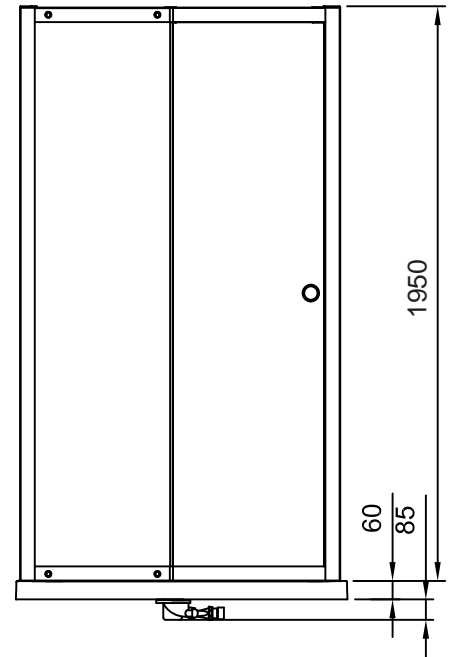
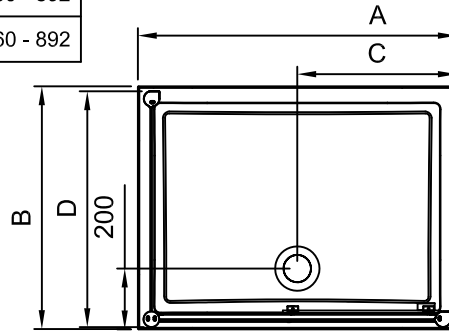
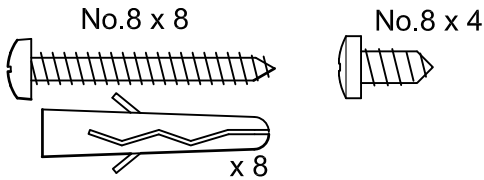
We recommend that these instructions are handed to the user with a note of a date of purchase and model details.
To order replacements quote:Part Descriptions, Model and Part Number.

STAGE 5

CORNER MODEL

MODELS	A	B	C	D
NSS 1050/NSC 7900 SIDE PANEL	1050	800	525	760 - 792
NSS 1200/NSC 7500 SIDE PANEL	1200	760	600	720 - 752
NSS 1200/NSC 7900 SIDE PANEL	1200	800	600	760 - 792
NSS 1200/NSC 8900 SIDE PANEL	1200	900	600	860 - 892
NSS 1500/NSC 8900 SIDE PANEL	1495	900	750	860 - 892
NSS 1700/NSC 8900 SIDE PANEL	1695	900	850	860 - 892

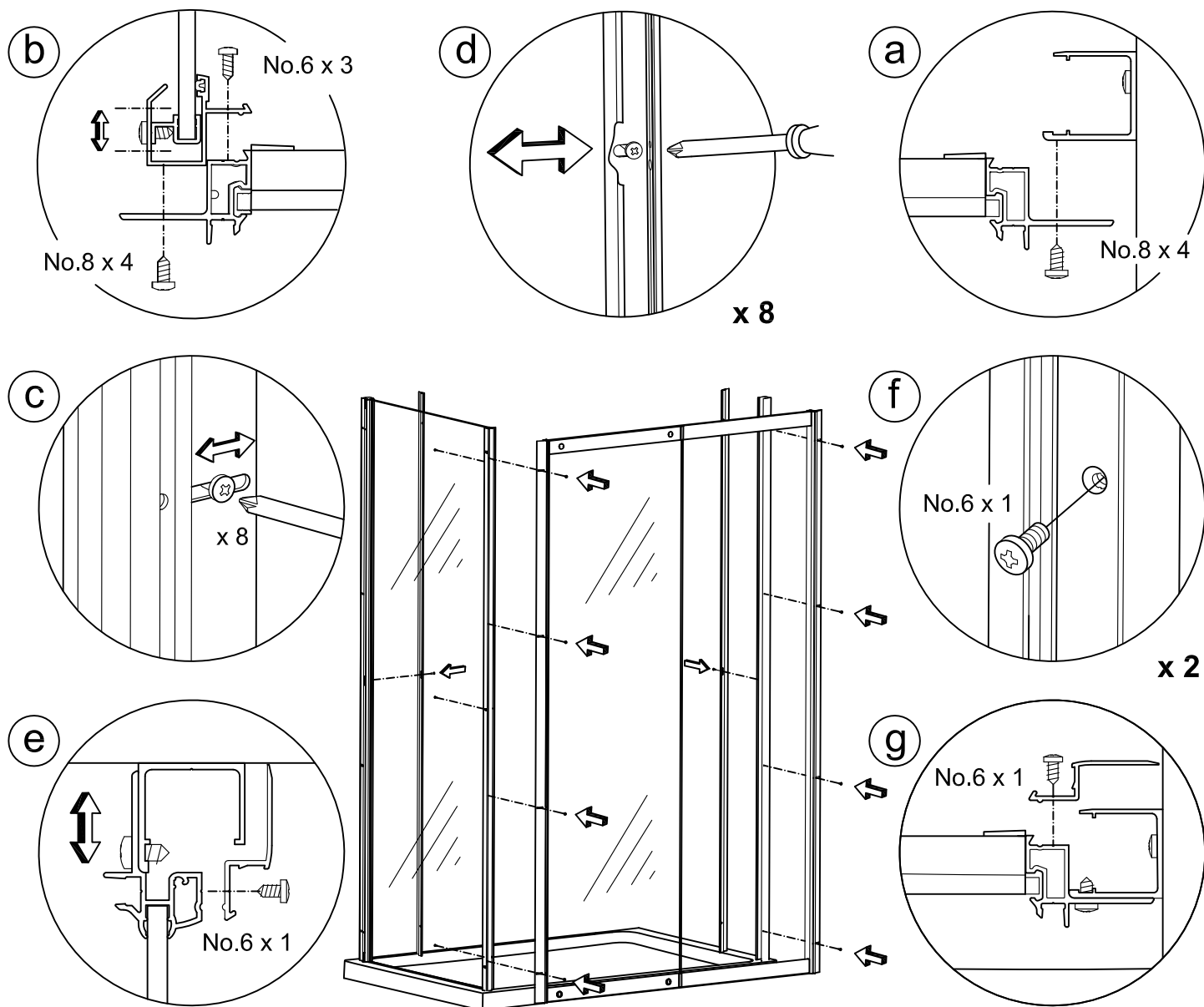
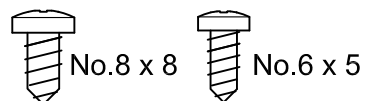
Model shown is RH CORNER MODEL NSS SLIDER with a NSC SIDE PANEL. Dimensions are approximate due to the nature of the materials used.



This stage is describing the Wall Mount installation for a Corner Model.
 Position the Wall Mount for the side panel on the top of the tray so that the outside face of the Wall Mount is approximately 40mm from the outside top edge of the tray (5a,5b). Plumb the Wall Mount for upright and mark the fixing holes on the wall in the centre of the slots. Drill the fixing holes in the wall and insert the Wall Plugs. Clean the area. Apply Silicon Sealant to the area behind the Wall Mount between the tray and the tiles and 100mm up the wall, central to the width of the Wall Mount (5b). Fit the Wall Mount with the No.8 x 32mm Pan Head Wall Screws. Repeat this stage for the Door Frame Wall Mount but position the wall mount at 30mm from the outside top edge of the tray (5c).
 Carefully lift the Side panel onto the tray, taking care not to mark or scratch the shower tray. Secure the Side panel to the wall mount using the No.8 x 9.5 Pan Head Screws (5d).

STAGE 6

CORNER MODEL



This stage is describing the fitting of the Door to the Side Panel and frame Adjustment.

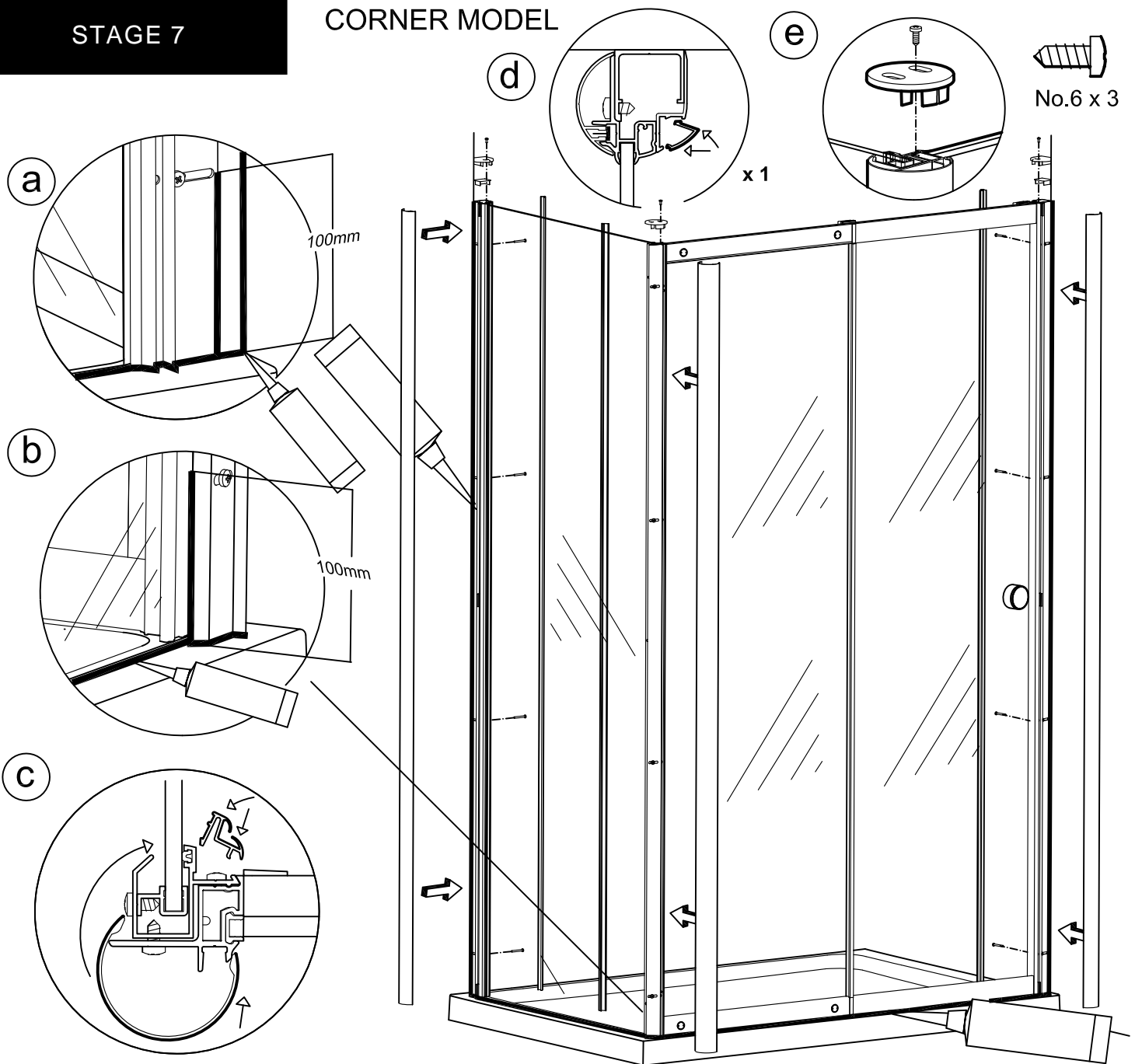
Carefully lift the Door Frame onto the tray taking care not to scratch or mark the Shower tray. Secure the door to the wall mount using the factory fitted No.8 x 9.5mm Pan Head Screws (6a). Locate the Door Frame to the Side Panel Corner, secure the Side panel on the inside to the vertical frame using the No.6 x 9.5mm Pan head screws(6b). Secondly secure the Door to the Side panel on the outside through the adjustment slots in the door frame using the No.8 x 9.5mm Pan Head Screws(6c.)

The Door Frame can be adjusted at the wall side only using the adjustment slots in the vertical frame (6c), to adjust the Side panel for upright at the corner you will need to use the wall adjustment slots in the side panel wall mount. Square the Door frame so that it is at 90 degrees to the shower tray (6c). Adjust the door and side panel wall mounts for upright eg.left to right as required by the wall mount screws and adjustment slots in the wall mounts (6d). Adjust the Door wall mount and the side panel corner for upright to each other or as required with the wall mount wall screws(6d) and the side panel corner adjustment (6b).

When adjustment is completed fit the Inside Covers to the Door frame and side panel using the centre fixing hole with the No.6 x 9.5mm Pan Head Screws (6e, 6f, 6g). **Fit the Door panel see Stage 3.**

STAGE 7

CORNER MODEL



This stage is describing the Sealing and fitting of the Covers for a Corner Model.

Apply a thin and even bead of clear silicon sealant along all outside joints. Seal between the shower enclosure and shower tray, wall mounts and tiled surfaces. Apply silicon sealant to the joint between the wall mount and vertical frame for both door and side panel approximately 100mm up from the bottom (7a). Apply silicon sealant to the joint between the side panel glass and corner vertical approximately 100mm up from the bottom (7b). Masking tape can be used to achieve a neat edge to the sealant, remove the masking tape immediately after the sealant is applied.

When all the adjustments to the door have been completed fit the Front Covers. Clip the Front Covers into the vertical frames at the wall for the door and side panel (See stage 4b). Secure the Front Covers and Back covers through the vertical frames as per stage (4b). The covers can be removed for remedial sealing to be carried out.

Fit the Side Panel Corner Cover, firstly locate the cover on the door vertical frame then push and rotate the cover over the corner section starting at the bottom and working upwards. Fit the Closing Seal to the inside of the side panel corner shown by fitting the small leg of the cover in first then clipping the long leg of the Closing Seal into the corner vertical frame. (See 7c). Fit the Screw Cover to the Back Cover of the Side Panel as shown by fitting the small leg of the cover in first then clipping the long leg of the Screw Cover into the Back Cover (7d). Fit the wall mount caps and recess top caps and corner cap and secure with the No.6 x 9.5mm Pan Head Screws (See 4d & 7e). On completion of all sections of Stage 7 it is recommended that the silicon sealant is allowed to cure for 24 hours before use.

PARTS LIST

SIDE PANEL

NC SIDE PANEL PARTS LIST

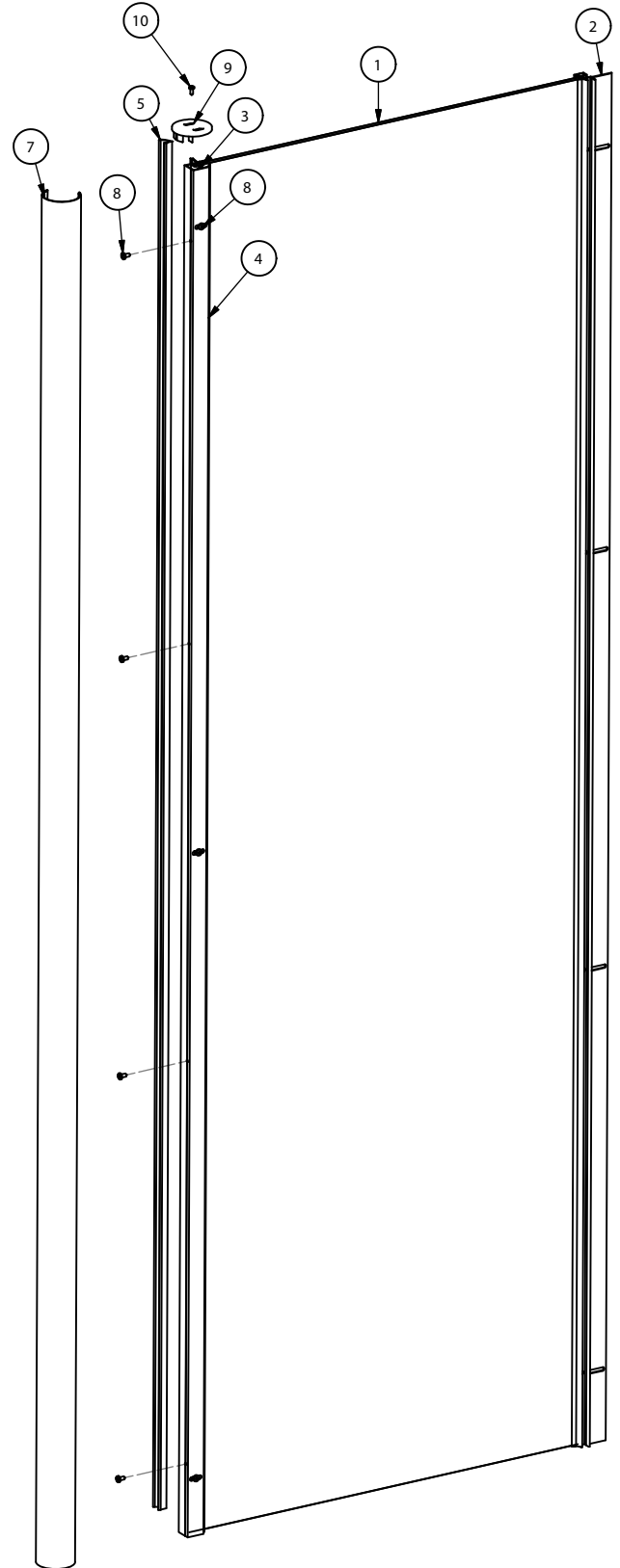
ITEM	DESCRIPTION	PART No.	QTY	LENGTH
1	SIDE PANEL GLASS MODEL 7900	8124 M	1	696 mm
2	SIDE	7420 A SILVER	1	
3	CORNER ADJUSTER	7418 A SILVER	1	
4	CORNER	7417 A SILVER	1	
5	SCREW COVER	2423 A SILVER	1	1955 mm
6	CORNER SEAL	2253 CLEAR	1	
7	CORNER COVER	7419 A SILVER	1	
8	No8 PAN HEAD SCREW	1420 A SILVER	3	9.5 mm

NSC KIT OF PARTS

ITEM	DESCRIPTION	PART No.	QTY	LENGTH
8	No8 PAN HEAD SCREW	1420 A SILVER	4	9.5 mm
9	QUINTESSA/CORNER TOP CAP	5130 A SILVER	1	
10	No6 PAN HEAD SCREW	1405 A SILVER	4	9.5 mm
11	SILICON SEALANT 78g	1967 AF	1	
12	PARTS KIT BAG	4420 AF	1	
13	PARTS KIT BAG	4431 AF	1	
14	PARTS KIT BAG	4435 AF	1	

THIS PARTS LIST CONTAINS PARTS FOR THE SIDE PANEL ONLY. PLEASE REFER TO THE DOOR PARTS LIST EARLIER IN THE BOOKLET FOR PARTS RELATING TO THE DOOR ASSEMBLY.

PLEASE NOTE: THIS KIT OF PARTS BAG IS USED WITH OTHER PRODUCT VARIANTS, THEREFORE THE KIT OF PARTS BAG MAY CONTAIN PARTS THAT ARE NOT USED ON THIS PRODUCT.



We recommend that these instructions are handed to the user with a note of a date of purchase and model details.
To order replacements quote: Part Descriptions, Model, Part Number and Colour.

MAINTENANCE

Matki Glass Guard Easy Clean Surface Protection (optional) and General Cleaning Guide

Cleaning Instructions

Matki Glass Guard allows water to form minute beads which easily trickle off the surface of the glass. This makes the glass easier to clean - the glass does not need to be cleaned as frequently, but it does require occasional maintenance. As less cleaning is required the use of detergents can be minimised thus helping to protect the environment. The lifespan of the Matki Glass Guard is dependant on the frequency of use of the shower and the degree of water hardness.

The combination of alkaline materials and humidity affects glass in an extremely aggressive way. Do not use bleach, alkaline, acid-based or aggressive and abrasive glass cleaners, detergents or household cleaning products on the glass or frames.

We recommend that glass is washed down with clean water and a soft clean cloth or sponge and dried off with a microfibre cloth.

The special coating is only present on the inside of the glass.

Matki Glass Guard is guaranteed for 2 years provided that the guidelines and cleaning instructions are followed.

Aluminium and Chrome parts should be cleaned with a mild non scratch household cleaner and a soft cloth or sponge.

Do not use acidic-based descaler products or products which are unsuitable for cleaning enamelled surfaces, including abrasive cleaners or cleaners containing bleach or solvents, as the products will effect the anodised framework. Under no circumstances use cleaners with a pH level exceeding 8.

Matki does not recommend the use of 'Leave-on' shower cleaners on Matki Glass Guard Products.

Water Softeners and Glass Guard - Certain types of water softeners increase the alkalinity of the water due to a carry-over of Chloride during re-generation which can cause aggressive water spots on both untreated and Glass Guarded glass. If using a water softener we recommend a two-cylinder machine with automatic re-generation instead of a timer.

If a single-cylinder water softener with timer is already installed it is recommended that after each shower excess water is removed from the glass with a squeegee or with a micro-fibre cloth.



Wash down with clean warm water and a soft clean cloth or sponge.



Do not use bleach, alkaline or acid-based, aggressive or abrasive cleaning products.

Flash Bathroom Spray or Cif Bathroom Spray can be used on Matki Products.

Various specialist cleaning and glass dressing products are available from Ritec International Ltd Tel. 020 8344 8210 or www.ritec.co.uk.

Matki Plc is not connected with Ritec International Ltd in any way and the contact details are supplied for information only. Read manufacturers label before using any cleaning materials.

IMPORTANT

Matki Glass Guard is guaranteed for 2 years. It is essential that the cleaning instructions are followed in order to maintain the hydrophobic properties of the glass coating. In the event of the failure to comply in any way with these instructions, any warranty or guarantee will be null and void.

MATKI PLC, CHURCHWARD ROAD, YATE, BRISTOL, BS37 5PL
TELEPHONE:01454 328816 (AFTER SALES) FAX:01454 328821 EMAIL: techsupport@matki.co.uk



matki | SHOWERING

13

Matki PLC, Churchward Road, Yate,
Bristol BS37 5PL

EN 14428:2008+A1