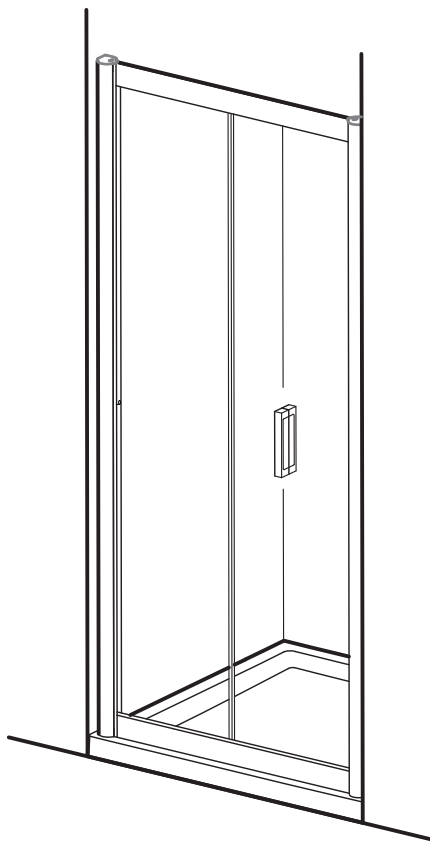


# matki

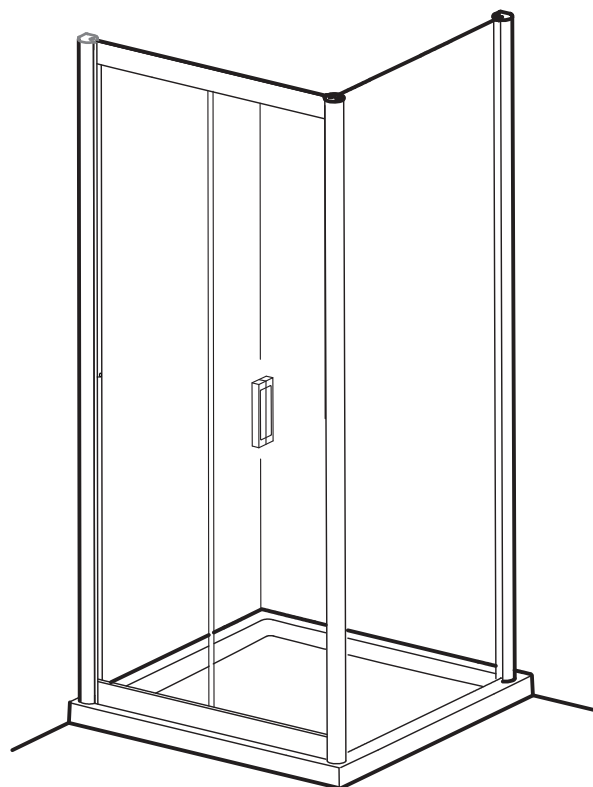
## SHOWERING COLONADE INFOLD

TRAY & DOOR  
INSTALLATION

PARTS LIST



MODELS:  
NCI RECESS 700  
NCI RECESS 760  
NCI RECESS 800  
NCI RECESS 900



MODELS:  
NCI/NSC CORNER 700 LH/RH  
NCI/NSC CORNER 760 LH/RH  
NCI/NSC CORNER 800 LH/RH  
NCI/NSC CORNER 900 LH/RH

**MATKI PLC, CHURCHWARD ROAD, YATE, BRISTOL, BS37 5PL**  
TELEPHONE:01454 328816 (AFTER SALES) FAX:01454 328821 EMAIL:techsupport@matki.co.uk

## IMPORTANT

Before disposing of carton and/or commencing assembly, please check all the parts to ascertain that none are missing and they are all undamaged. No claim for missing/damaged parts will be accepted once the packing carton has been disposed of and/or assembly has commenced.

In case of query contact your Stockist with details of model number and details of quality control slip.

Due to the weight of the surround and tray we recommend that two people are available for assembly.

### PREPARATION

Please read complete installation instructions before fitting.

**Ensure top of tray is level**, tray should be let into wall to allow tiling to overlap the tray.

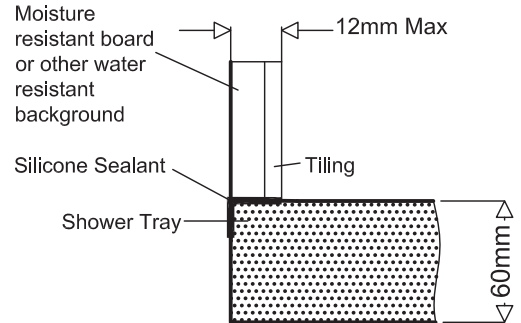
Carefully remove product from carton, do **not** place glass on hard floor or expose edges to impact. Note the glass sections are heavy and should be handled carefully.

**Ensure top of tray is level.** Seal between tray and tiles.

Remove any excess sealant from the area/joint between the tray and tiles where the wall mount will be fitted this will ensure the wall frame fits correctly to the wall and tray.

**CAUTION: TEMPERED GLASS CANNOT BE CUT, POLISHED METAL AND CHROME CAN BE SCRATCHED. PLEASE FOLLOW INSTALLATION INSTRUCTIONS CAREFULLY.**

### Typical installation of shower tray



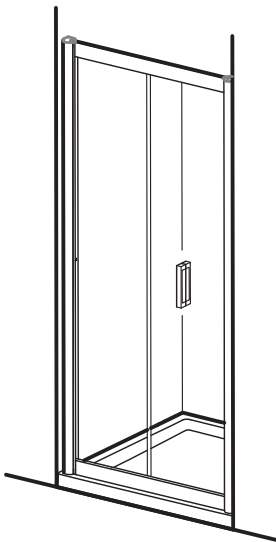
**Ensure top of shower tray is level**

### TOOLS REQUIRED

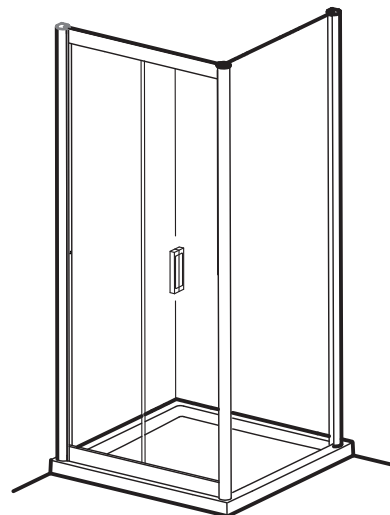
Masonry Drill bit 6mm,      Electric Drill  
Tape Measure,                      Level  
Screw Drivers,                      Pencil  
Safety Glasses

## MODEL VARIANTS

This booklet contains installation instructions for all model variants. Please look at the images below to determine which stage to follow. The stages are clearly marked at the top of each page



MODELS:  
NCI RECESS 700  
NCI RECESS 760  
NCI RECESS 800  
NCI RECESS 900  
**READ STAGES 1-4**



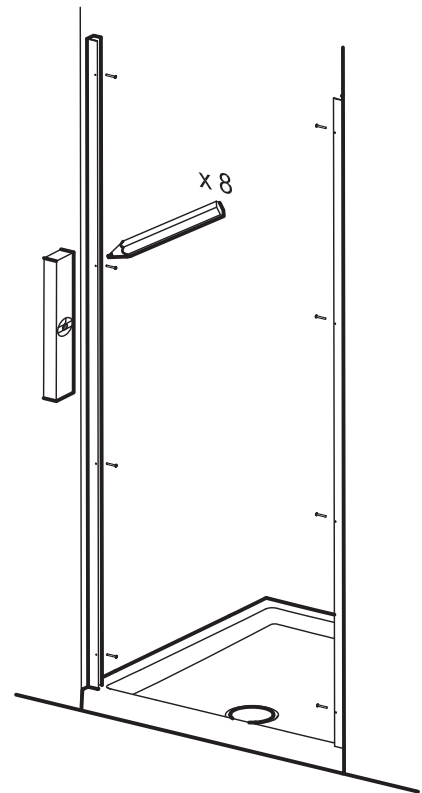
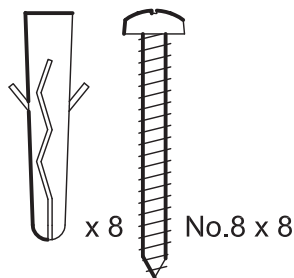
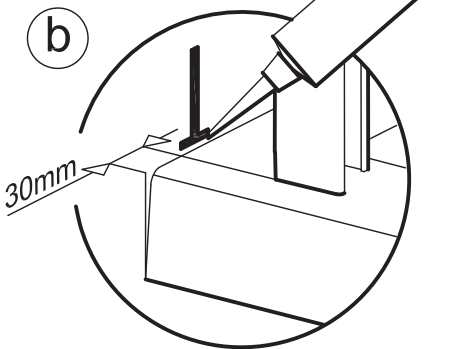
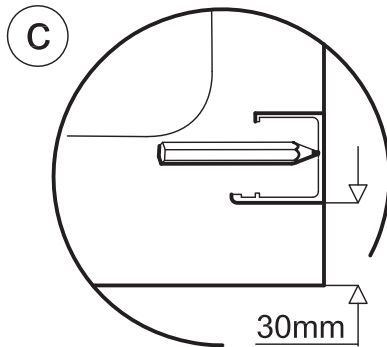
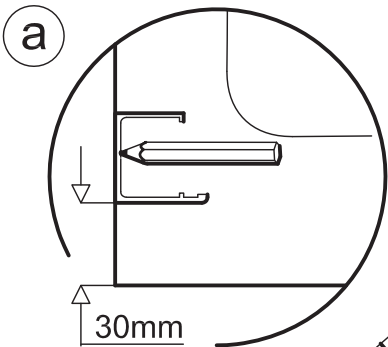
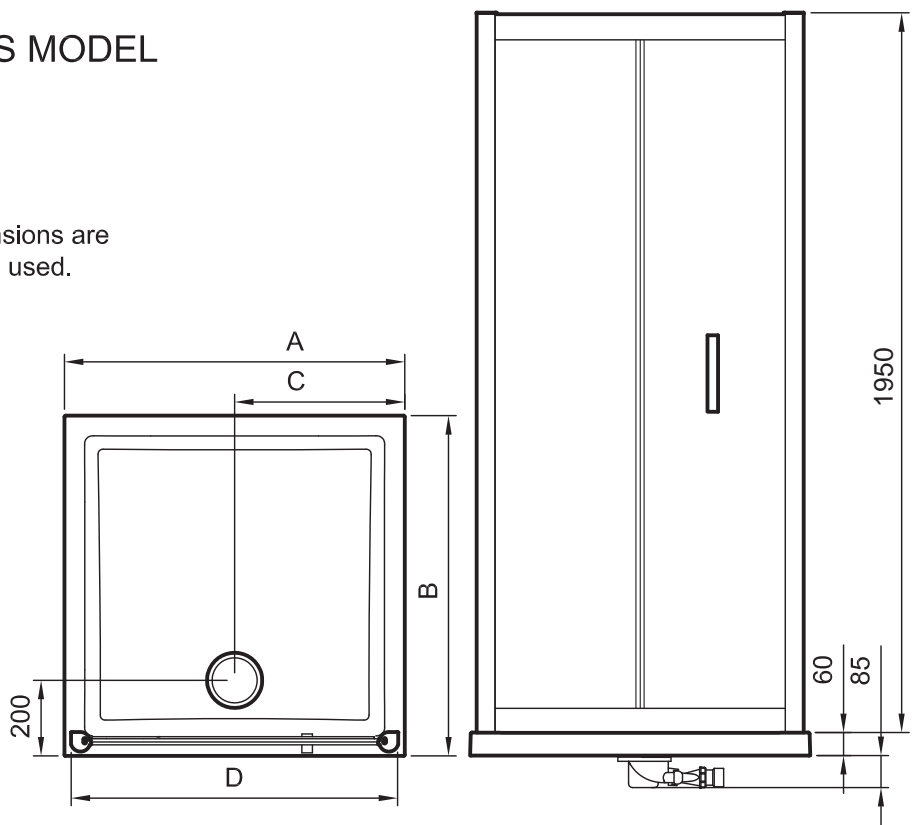
MODELS:  
NCI/NSC CORNER 700 LH/RH  
NCI/NSC CORNER 760 LH/RH  
NCI/NSC CORNER 800 LH/RH  
NCI/NSC CORNER 900 LH/RH  
**READ STAGES 5-7**

# STAGE 1

# RECESS MODEL

Model shown is NCI RECESS MODEL. Dimensions are approximate due to the nature of the materials used.

MODELS	A	B	C	D
NCI RECESS 700	700	700	350	665-705
NCI RECESS 760	760	760	380	725-765
NCI RECESS 800	800	800	400	765-805
NCI RECESS 900	900	900	450	865-905



**This stage is describing the Wall Mount installation for an NCI RECESS model.**

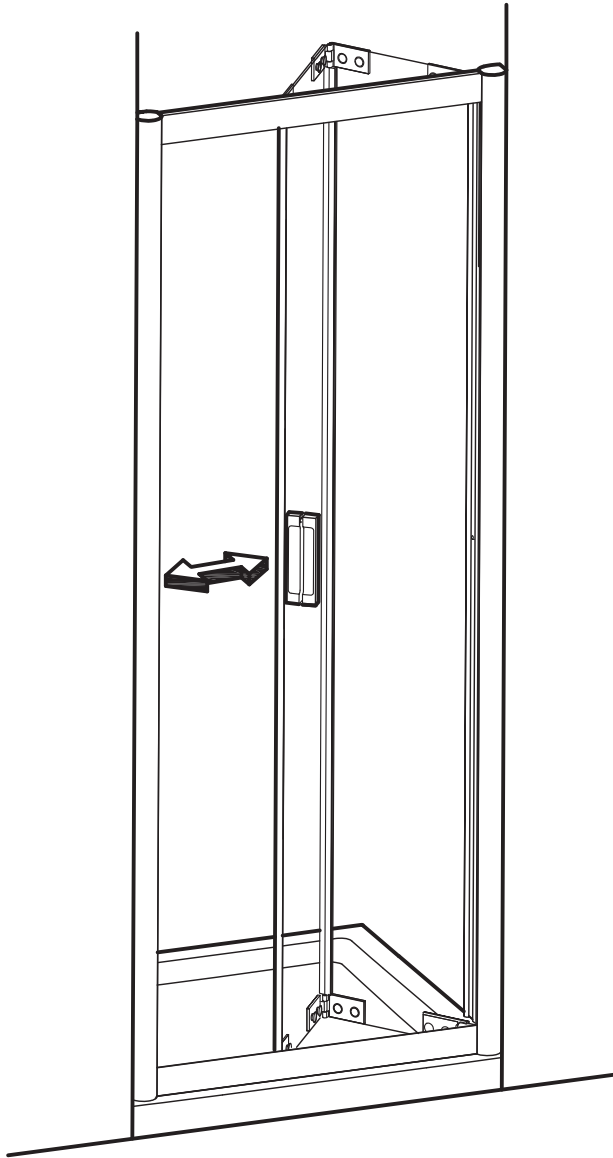
Position the Wall Mount on the top of the tray so that the outside face of the Wall Mount is approximately 30mm from the outside top edge of the tray (1a,1b,1c). Plumb the Wall Mount for upright and mark the fixing holes on the wall in the centre of the slots. Drill the fixing holes in the wall and insert the Wall Plugs. Clean the area.

Apply Silicon Sealant to the area behind the Wall Mount between the tray and the tiles and 100mm up the wall, central to the width of the Wall Mount (1b). Fit the Wall Mount with the No.8 x 32mm Pan Head Wall Screws. Repeat this stage for the opposite Wall Mount (1c).

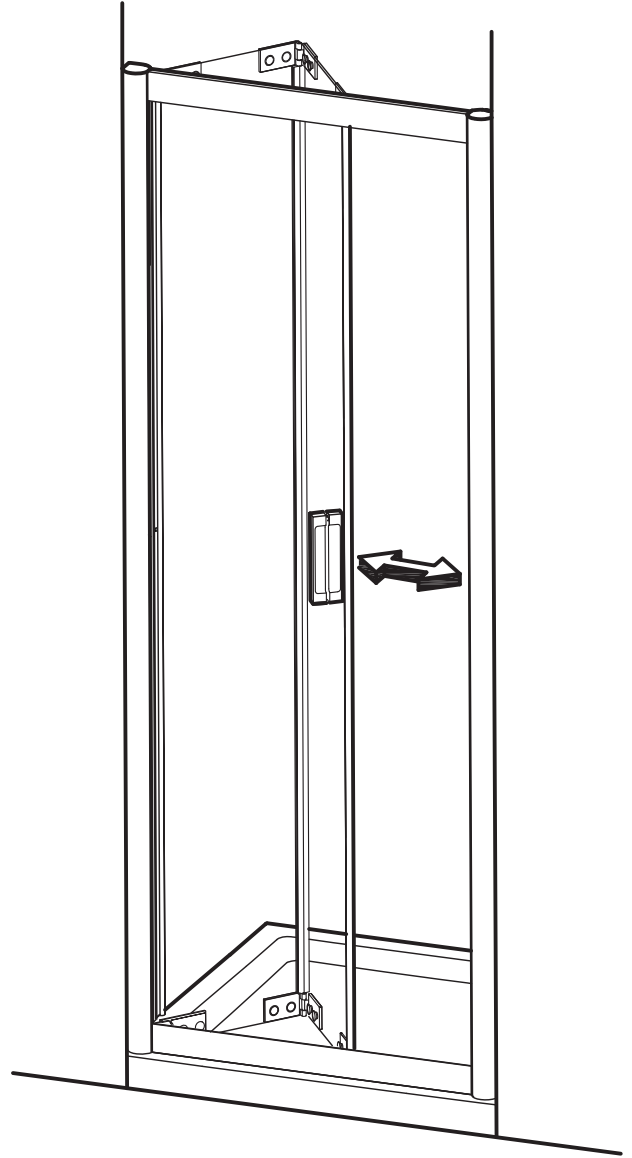
## STAGE 2

## INFOLD DOOR OPENING

### LH DOOR OPENING



### RH DOOR OPENING

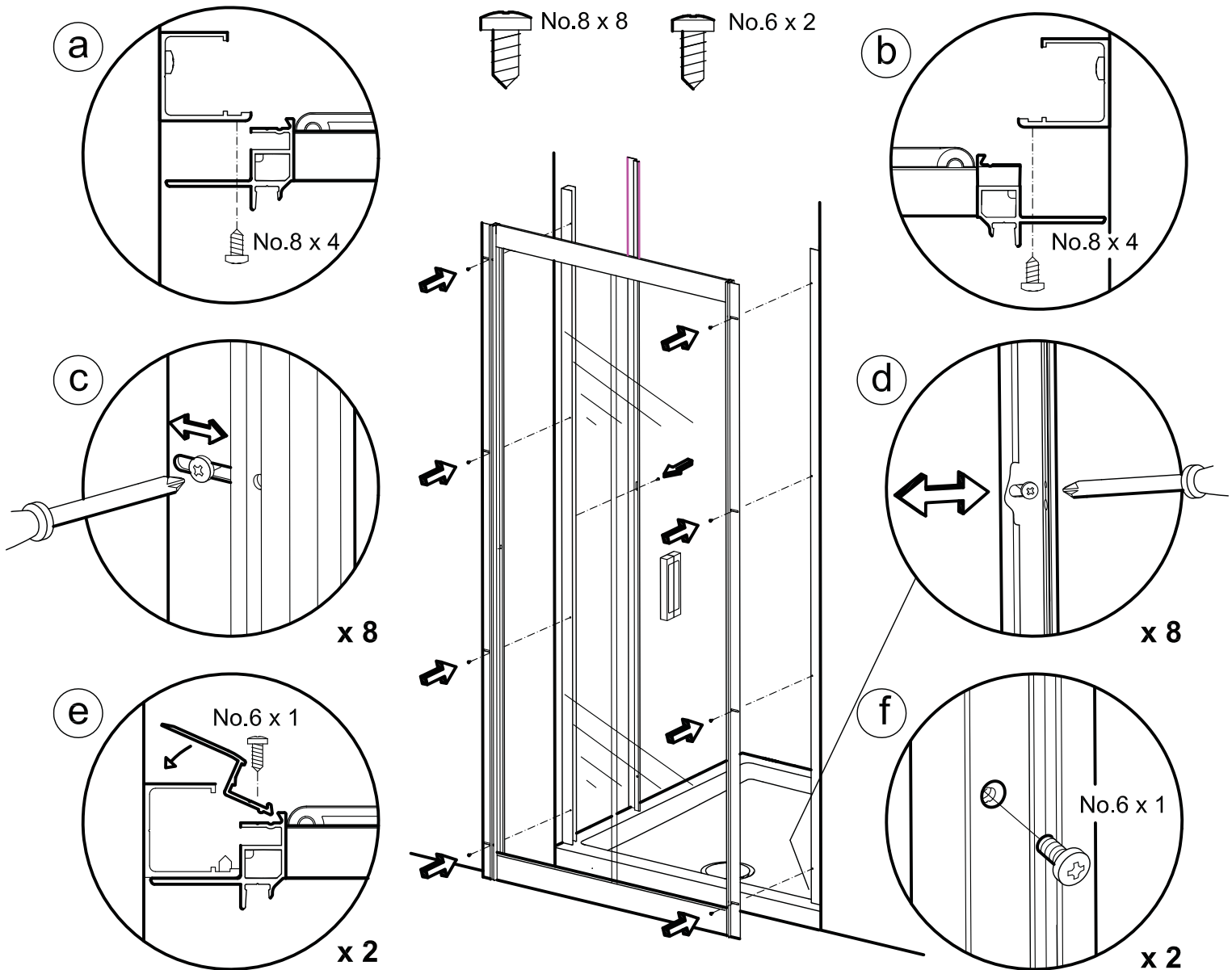


Before fitting the door to the wall mounts decide which side you wish the door to open. The Door is not handed the handle is fitted to the opening side of the door.

**Important** When rotating the door for the correct opening please do not remove the packaging from the middle of the top and bottom horizontal frames. This supports the door panels during orientation. Where possible before the door is fitted to the Wall mounts remove the bottom packaging from the middle of the horizontal frame but retain the top packaging until the door is secured to the wall mounts.

## STAGE 3

## RECESS MODEL



### This stage is describing the fitting of the Door and frame Adjustment.

Carefully lift the Door assembly onto the tray taking care not to scratch or mark the Shower tray. Secure the door in place using the factory fitted No.8 x 9.5mm Pan Head Screws (3a,3b,3c).

Adjust the door frame as required to centralise the door between the wall mounts, square the frame so that it is at 90 degrees to the shower tray (3c). Adjust the wall mounts for upright eg. left to right as required by the wall mount screws and adjustment slots in the wall mounts (3d).

### Adjustment troubleshooting.

#### The door does not open and close smoothly?

Possible problems. Tray is not level, Frame is not 90 degrees to the tray.

Adjust the frame verticals as required so that they are 90 degrees to the tray (3c).

The wall mounts are out of upright to each other, the door frame is twisted.

Adjust the wall mounts relative to each other or upright by the wall mount screw adjustment slots (3d).

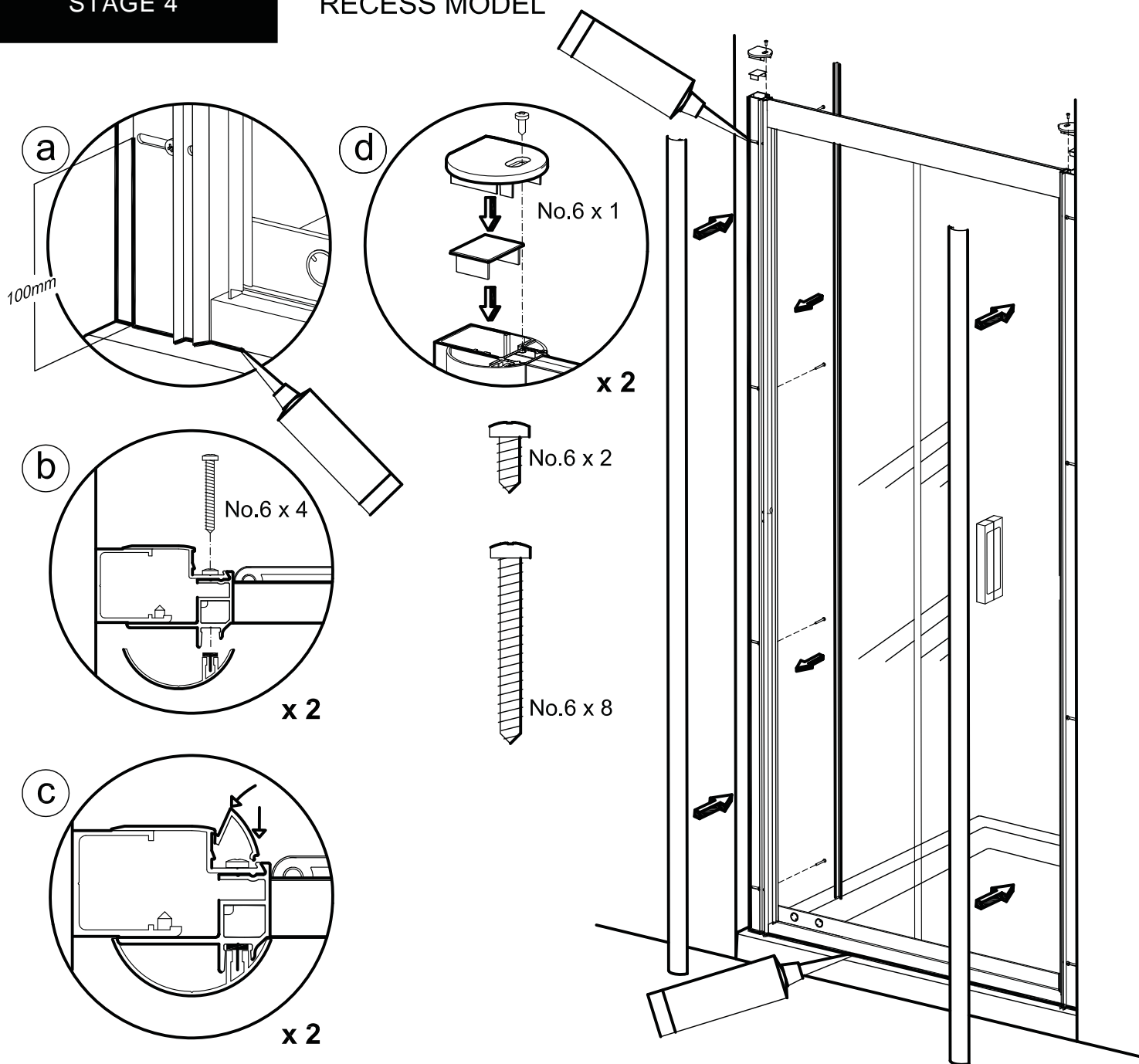
#### The Door seals do not meet the Frame verticals all the way down its length?

Possible problems. The frame uprights are not straight vertically, adjust the vertical frames to the door seals with the adjustment slots (3c), or adjust the door seals on the edge of the glass to meet the vertical frames.

Fit the Inside overs to the Vertical Frames using the centre fixing hole with the No.6 x 9.5mm Pan Head Screws (3e, 3f).

## STAGE 4

## RECESS MODEL



### This stage is describing the Sealing and fitting of the Covers for a Recess Model.

Apply a thin and even bead of clear silicon sealant along all outside joints. Seal between the shower enclosure and shower tray, wall mounts and tiled surfaces. Apply silicon sealant to the joint between the wall mount and vertical frame approximately 100mm up from the bottom (4a). Masking tape can be used to achieve a neat edge to the sealant, remove the masking tape immediately after the sealant is applied. When all the adjustments to the door have been completed fit the Front Covers. The covers can be removed for remedial sealing to be carried out.

Clip the Front Covers into the Vertical Frames (4b). From the inside of the shower enclosure secure the Front Covers and Back covers through the Vertical Frames with the No.6 x 32mm Pan Head Screws. Do not overtighten these screws. It is recommended that these screws are tightened by hand.

Fit the Screw Covers to the Back Cover as shown by fitting the small leg of the cover in first then clipping the long leg of the Screw Cover into the Back Cover. Start at the bottom and move upwards firmly pressing the Screw Cover into position. (4c). Fit the Wall Mount Caps and Column Top Caps, secure the column top caps with the No.6 x 9.5mm Pan Head Screws (4d). On completion of all sections of Stage 4 it is recommended that the silicon sealant is allowed to cure for 24 hours before use.

# PARTS LIST

# NCI INFOLD DOOR

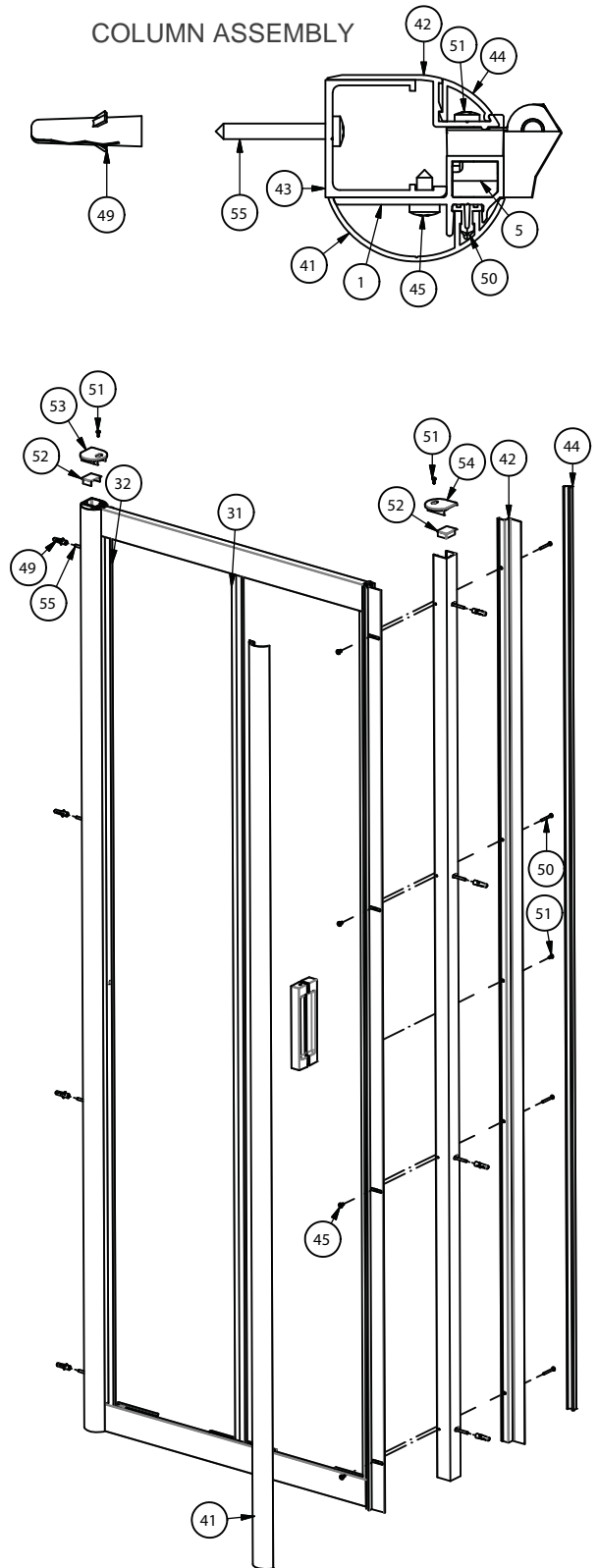
## NCI PARTS LIST

ITEM	DESCRIPTION	PART No.	QTY	LENGTH
1	INFOLD HINGE CHASSIS	7415 A SILVER	1	
2	DOOR HORIZONTAL MODEL 760	2748 A SILVER	2	629 mm
	DOOR HORIZONTAL MODEL 800	2749 A SILVER	2	669 mm
	DOOR HORIZONTAL MODEL 900	2750 A SILVER	2	729 mm
4	INFOLD CLOSURE CHASSIS	7416 A SILVER	1	
5	CHASSIS INFILL (HINGE)	5116 AF	2	
6	CHASSIS INFILL	5139 BLACK	2	
7	No8 PAN HEAD SCREW	1471 A SILVER	8	32 mm
8	STOP	5137 BLACK	2	
9	EPOXY BUMPER 32 x 12.5	1001 CLEAR	2	
10	HINGE GLASS MODEL 760	8115 M	1	303 mm
	HINGE GLASS MODEL 800	8116 M	1	323 mm
	HINGE GLASS MODEL 900	8117 M	1	373 mm
11	HINGE PLATE LH	5122 A SILVER	1	
12	HINGE BRACKET	5120 A SILVER	2	
13	HINGE PIN	1378 AF	4	
14	M5 SOCKET CSK SCREW	1495 A SILVER	4	16 mm
15	HINGE GASKET	4418 CLEAR	8	
16	WASHER OD12 ID6.4 X 1.5	1640 AF	8	1.5 mm
17	SPRING D6.8 X 12.85	1895 AF	4	
18	DOWEL PIN D4 X 20	1516 AF	2	
19	HINGE ROLLER	5134 BLACK	2	
20	HINGE PLATE RH	5121 A SILVER	1	
21	CENTRE HINGE 1	5124 A SILVER	2	
22	CENTRE HINGE 2	5113 A SILVER	2	
23	CENTRE HINGE PIN	1377 AF	2	
24	WASHER OD7.1 ID3.1 X 0.8	1879 AF	4	
25	HANDLE GLASS MODEL 760	8119 M	1	303 mm
	HANDLE GLASS MODEL 800	8120 M	1	323 mm
	HANDLE GLASS MODEL 900	8121 M	1	373 mm
26	GUIDE PLATE TOP	5111 A SILVER	1	
27	DOOR GUIDE TOP	5118 A SILVER	1	
28	GUIDE CAP	5135 WHITE	2	
29	GUIDE PLATE BOTTOM	5119 A SILVER	1	
30	DOOR GUIDE BOTTOM	5117 A SILVER	1	
31	CENTRE VERTICAL GASKET	2422 CLEAR	1	1850 mm
32	HINGE VERTICAL GASKET	2421 CLEAR	2	1850 mm
33	BACK HANDLE	5115 A SILVER	1	
34	HANDLE SPACER GASKET	5138 BLACK	2	
35	FRONT HANDLE	5114 A SILVER	1	
36	HANDLE CONNECTOR	1778 AF	2	
37	M5 SOCKET SETSCREW	1430 A SILVER	2	6 mm
38	GLASS BUSH	5140 BLACK	16	
39	GLASS FIXING	5123 A SILVER	16	
40	PLATE FIXING	5112 A SILVER	16	
41	FRONT COVER	7423 A SILVER	2	
42	BACK COVER	7424 A SILVER	2	
43	WALL MOUNT	7421 A SILVER	2	
44	SCREW COVER	2423 A SILVER	2	1955 mm
45	No8 PAN HEAD SCREW	1420 A SILVER	8	9.5 mm
46	COVER CLIP	5136 WHITE	6	
47	INSTALLATION INSTRUCTIONS	1077 AF	1	
48	GUARANTEE BOOKLET	1061 AF	1	

## NCI KIT OF PARTS (6001 AF)

ITEM	DESCRIPTION	PART No.	QTY	LENGTH
49	WALL PLUG	1818 AF	8	
50	No6 PAN HEAD SCREW	1494 A SILVER	8	32 mm
51	No6 PAN HEAD SCREW	1405 A SILVER	4	9.5 mm
52	WALL MOUNT CAP	5131 A SILVER	2	
53	RECESS TOP CAP LH	5132 A SILVER	1	
54	RECESS TOP CAP RH	5129 A SILVER	1	
55	No.8 PAN HEAD SCREW	1471 A SILVER	8	32 mm
56	CLEAR SILICONE SEALANT 75ML	1967 AF	1	
57	EZ PARTS BAG(GT4)3.5"x4.5"GRIP SEAL	4420 AF	1	
58	ECC PARTS KIT BAG (PL7)	4431 AF	1	
59	SH PARTS IT PLASTIC BAG HW 30	4435 AF	1	

## COLUMN ASSEMBLY



We recommend that these instructions are handed to the user with a note of a date of purchase and model details.  
To order replacements quote:Part Descriptions, Model and Part Number.

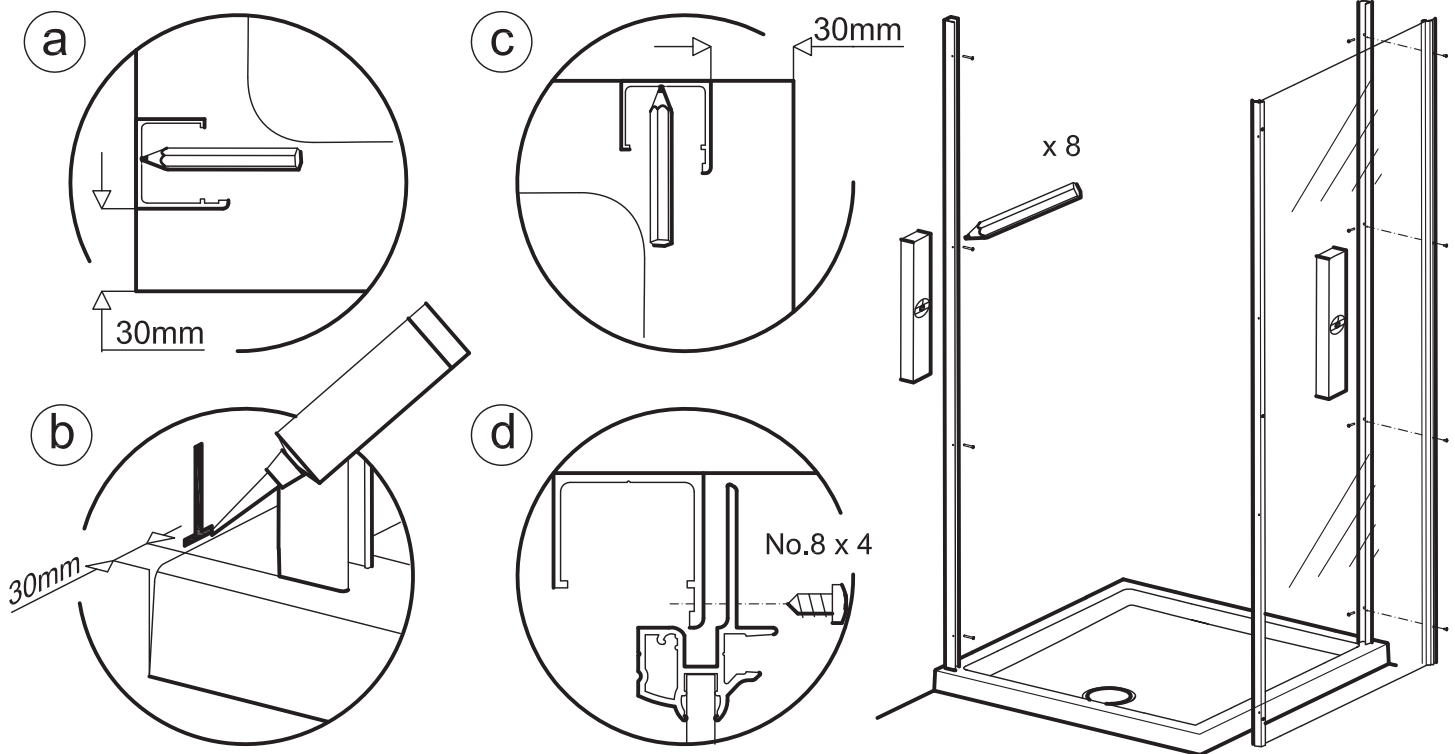
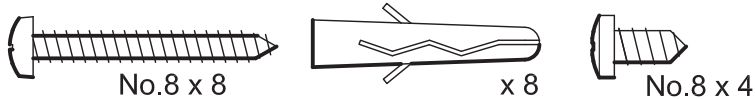
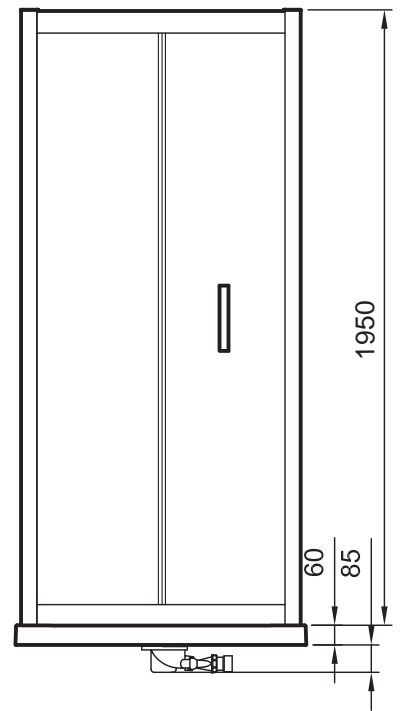
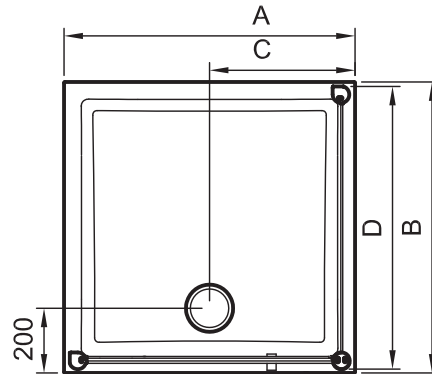


## STAGE 5

## CORNER MODEL

Model shown is LH CORNER MODEL  
NCI INFOLD DOOR and NSC SIDE PANEL.  
Dimensions are approximate due to the nature  
of the materials used.

MODELS	A	B	C	D
NSC SIDE PANEL 6900	700	700	350	660-692
NSC SIDE PANEL 7500	760	760	380	720-752
NSC SIDE PANEL 7900	800	800	400	760-792
NSC SIDE PANEL 8900	900	900	450	860-892
NSC SIDE PANEL 9900	1000	1000	500	960-992



### This stage is describing the Wall Mount installation for a Corner Model.

Position the Wall Mount on the top of the tray so that the outside face of the Wall Mount is approximately 30mm from the outside top edge of the tray (5a,5b). Plumb the Wall Mount for upright and mark the fixing holes on the wall in the centre of the slots. Drill the fixing holes in the wall and insert the Wall Plugs. Clean the area.

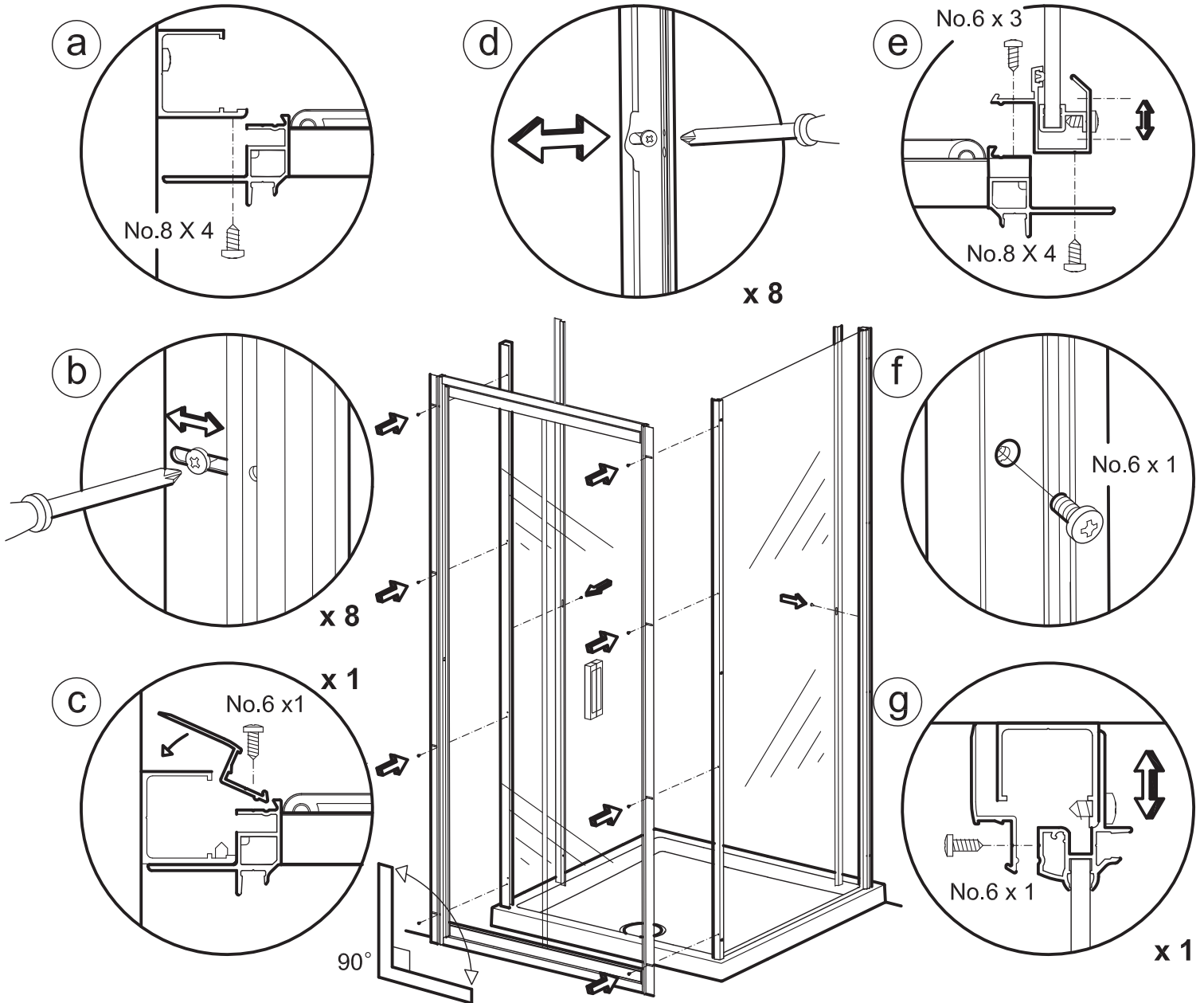
Apply Silicon Sealant to the area behind the Wall Mount between the tray and the tiles and 100mm up the wall, central to the width of the Wall Mount (5b). Fit the Wall Mount with the No.8 x 32mm Pan Head Wall Screws. Repeat this stage for the other Wall Mount (5c).

To fit the Side panel, carefully lift the panel onto the tray, taking care not to mark or scratch the shower tray. Adjust the Side panel until the Front extrusion is parallel with the front of the Wall Mount on the opposite side of the tray. Fix in place using the 4 No.8 x 9.5 Pan Head Screws (5d).



STAGE 6

CORNER MODEL



**This stage is describing the fitting of the Door to the Side Panel and frame Adjustment.**

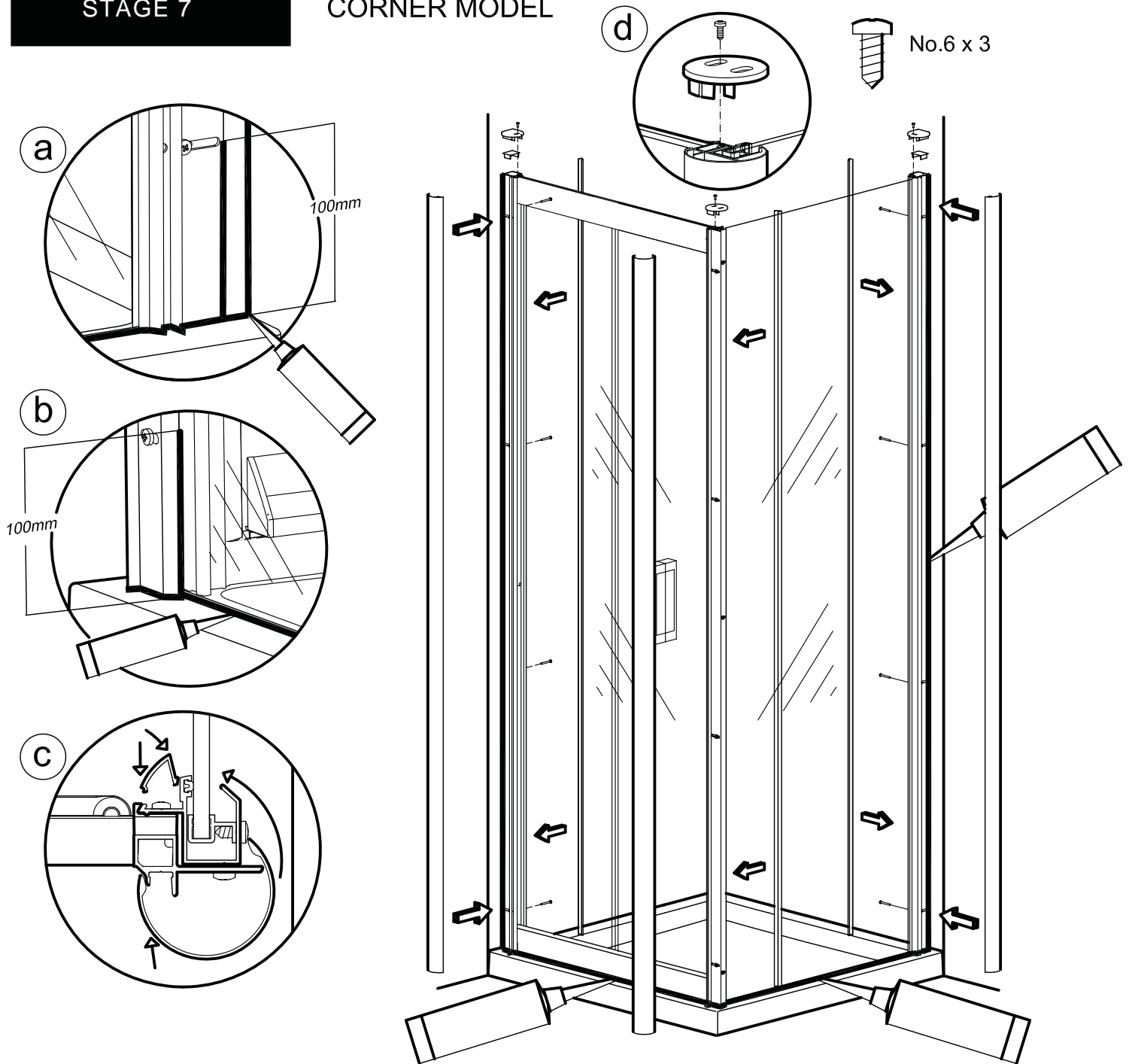
Carefully lift the Door Frame onto the tray taking care not to scratch or mark the Shower tray. Secure the door to the wall mount using the factory fitted No.8 x 9.5mm Pan Head Screws (6a). Locate the Door Frame to the Side Panel Corner, secure the Side panel on the inside to the vertical frame using the No.6 x 9.5mm Pan head screws(6e). Secondly secure the Door to the Side panel on the outside through the adjustment slots in the door frame using the No.8 x 9.5mm Pan Head Screws(6e.)

The Door Frame can be adjusted at the wall side only using the adjustment slots in the vertical frame, to adjust the Side panel for upright at the corner you will need to use the wall adjustment slots in the side panel wall mount. Square the Door frame so that it is at 90 degrees to the shower tray (6b). Adjust the door and side panel wall mounts for upright eg.left to right as required by the wall mount screws and adjustment slots in the wall mounts (6d). Adjust the Door wall mount and the side panel corner for upright to each other or as required with the wall mount wall screws(6d) and the side panel corner adjustment (6e).

When adjustment is completed fit the Inside Covers to the Door frame and side panel using the centre fixing hole with the No.6 x 9.5mm Pan Head Screws (6c & 6g).

## STAGE 7

## CORNER MODEL



### **This stage is describing the Sealing and fitting of the Covers for a Corner Model.**

Apply a thin and even bead of clear silicon sealant along all outside joints. Seal between the shower enclosure and shower tray, wall mounts and tiled surfaces. Apply silicon sealant to the joint between the wall mount and vertical frame for both door and side panel approximately 100mm up from the bottom (7a). Apply silicon sealant to the joint between the side panel glass and corner vertical approximately 100mm up from the bottom (7b). Masking tape can be used to achieve a neat edge to the sealant, remove the masking tape immediately after the sealant is applied.

When all the adjustments to the door have been completed fit the Front Covers. Clip the Front Covers into the vertical frames at the wall for the door and side panel (See stage 4b). Secure the Front Covers and Back covers through the vertical frames as per stage (4b). The covers can be removed for remedial sealing to be carried out.

Fit the Side Panel Corner Cover, firstly locate the cover on the door vertical frame then push and rotate the cover over the corner section starting at the bottom and working upwards. Fit the Screw Covers to the inside Back Cover at the wall verticals and the inside of the side panel corner (See 4c & 7c). Fit the wall mount caps and recess top caps and corner cap and secure with the No.6 x 9.5mm Pan Head Screws ( See 4d & 7d). On completion of all sections of Stage 7 it is recommended that the silicon sealant is allowed to cure for 24 hours before use.

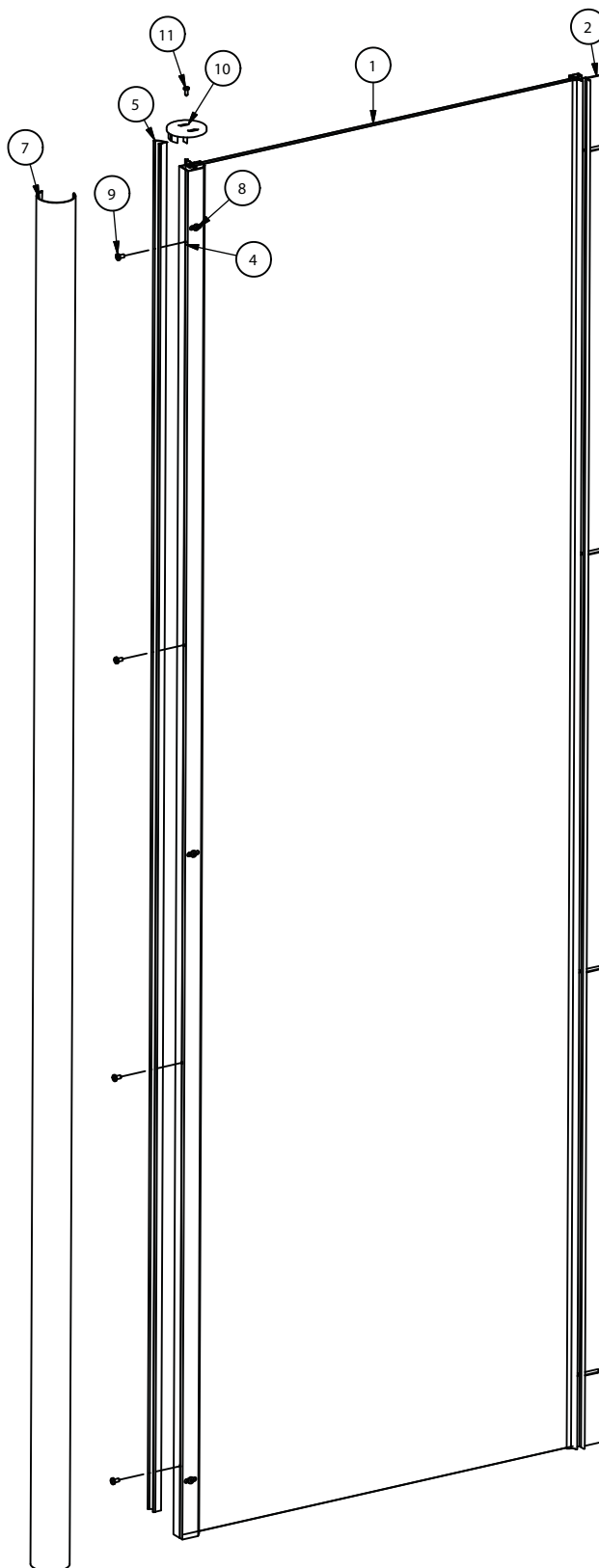
# PARTS LIST

## NSC SIDE PANEL

NSC SIDE PANEL PARTS LIST				
ITEM	DESCRIPTION	PART No.	QTY	LENGTH
1	SIDE PANEL GLASS MODEL 6900	8122 M	1	596 mm
	SIDE PANEL GLASS MODEL 7500	8123 M	1	656 mm
	SIDE PANEL GLASS MODEL 7900	8124 M	1	696 mm
	SIDE PANEL GLASS MODEL 8900	8125 M	1	796 mm
	SIDE PANEL GLASS MODEL 9900	8126 M	1	896 mm
2	SIDE	7420 A SILVER	1	
3	CORNER ADJUSTER	7418 A SILVER	1	
4	CORNER	7417 A SILVER	1	
5	SCREW COVER	2423 A SILVER	1	1955 mm
6	CORNER SEAL	2253 CLEAR	1	
7	CORNER COVER	7419 A SILVER	1	
8	No8 PAN HEAD SCREW	1420 A SILVER	3	9.5 mm
NSC KIT OF PARTS(6002 AF)				
ITEM	DESCRIPTION	PART No.	QTY	LENGTH
9	No8 PAN HEAD SCREW	1420 A SILVER	4	9.5 mm
10	QUINTESSA/CORNER TOP CAP	5130 A SILVER	1	
11	No6 PAN HEAD SCREW	1405 A SILVER	4	9.5 mm
12	SILICON SEALANT 78g	1967 AF	1	
13	EZ PARTS BAG(GT4) 3.5" x 4.5"	4420 AF	1	
14	ECC PARTS KIT BAG (PL7)	4431 AF	1	
15	SH PARTS KIT PLASTIC BAG HW30	4435 AF	1	

THIS PARTS LIST CONTAINS PARTS FOR THE SIDE PANEL ONLY. PLEASE REFER TO THE DOOR PARTS LIST EARLIER IN THE BOOKLET FOR PARTS RELATING TO THE DOOR ASSEMBLY.

**PLEASE NOTE:** THIS KIT OF PARTS BAG IS USED WITH OTHER PRODUCT VARIANTS, THEREFORE THE KIT OF PARTS BAG MAY CONTAIN PARTS THAT ARE NOT USED ON THIS PRODUCT.



We recommend that these instructions are handed to the user with a note of a date of purchase and model details.  
To order replacements quote:Part Descriptions, Model and Part Number.

## MAINTENANCE

### Matki Glass Guard Easy Clean Surface Protection (optional) and General Cleaning Guide

#### Cleaning Instructions

Matki Glass Guard allows water to form minute beads which easily trickle off the surface of the glass. This makes the glass easier to clean - the glass does not need to be cleaned as frequently, but it does require occasional maintenance. As less cleaning is required the use of detergents can be minimised thus helping to protect the environment. The lifespan of the Matki Glass Guard is dependant on the frequency of use of the shower and the degree of water hardness.

The combination of alkaline materials and humidity affects glass in an extremely aggressive way. Do not use bleach, alkaline, acid-based or aggressive and abrasive glass cleaners, detergents or household cleaning products on the glass or frames.

We recommend that glass is washed down with clean water and a soft clean cloth or sponge and dried off with a microfibre cloth.

The special coating is only present on the inside of the glass.

Matki Glass Guard is guaranteed for 2 years provided that the guidelines and cleaning instructions are followed.

Aluminium and Chrome parts should be cleaned with a mild non scratch household cleaner and a soft cloth or sponge.

Do not use acidic-based descaler products or products which are unsuitable for cleaning enamelled surfaces, including abrasive cleaners or cleaners containing bleach or solvents, as the products will effect the anodised framework. Under no circumstances use cleaners with a pH level exceeding 8.

Matki does not recommend the use of 'Leave-on' shower cleaners on Matki Glass Guard Products.

**Water Softeners and Glass Guard** - Certain types of water softeners increase the alkalinity of the water due to a carry-over of Chloride during re-generation which can cause aggressive water spots on both untreated and Glass Guarded glass. If using a water softener we recommend a two-cylinder machine with automatic re-generation instead of a timer.

If a single-cylinder water softener with timer is already installed it is recommended that after each shower excess water is removed from the glass with a squeegee or with a micro-fibre cloth.



Wash down with clean warm water and a soft clean cloth or sponge.



Do not use bleach, alkaline or acid-based, aggressive or abrasive cleaning products.

#### IMPORTANT

Matki Glass Guard is guaranteed for 2 years. It is essential that the cleaning instructions are followed in order to maintain the hydrophobic properties of the glass coating. In the event of the failure to comply in any way with these instructions, any warranty or guarantee will be null and void.

**MATKI PLC, CHURCHWARD ROAD, YATE, BRISTOL, BS37 5PL**  
TELEPHONE:01454 328816 (AFTER SALES) FAX:01454 328821 EMAIL: techsupport@matki.co.uk

CE

matki | SHOWERING

13

Matki PLC, Churchward Road, Yate,  
Bristol BS37 5PL

EN 14428:2008+A1