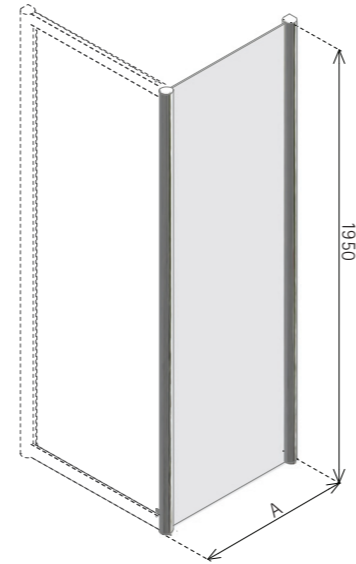


92 COLONADE SIDE PANEL
FOR PIVOT, SLIDER, INFOLD CORNER



Side Panel



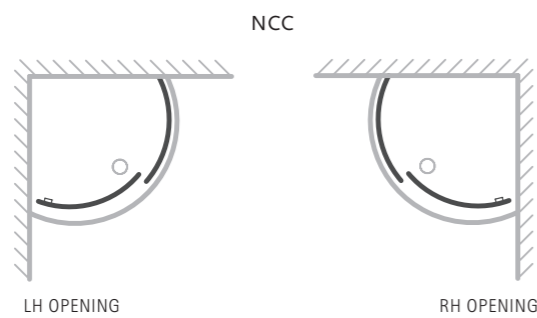
DIMENSIONS (MM) PRICES

MODEL	A	PRICE (EX. VAT)	PRICE (INC. VAT)
NSC6900 (SIDE)	660-692	£340.00	£408.00
NSC7500 (SIDE)	720-752	£352.00	£422.40
NSC7900 (SIDE)	760-792	£367.00	£440.40
NSC8900 (SIDE)	860-892	£379.00	£454.80
NSC9900 (SIDE)	960-992	£392.00	£470.40

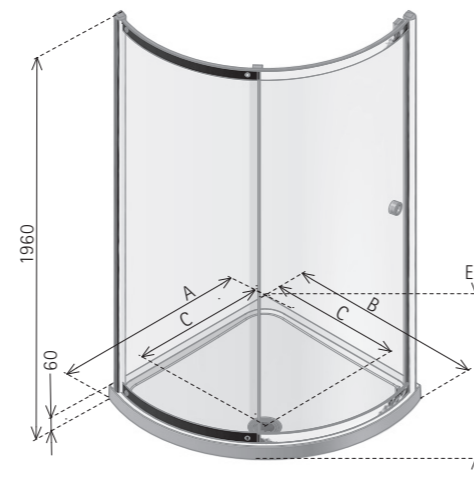
Add side panel price to recess price on page 91 for Corner configuration

- Not Handed
- Matki Glass Guard Easy Clean protection included
- 8mm Safety Glass
- High-lustre anodised Aluminium frame with Chrome finish
- When using please deduct 20mm from adjustments dimensions (A) of NCP, NSS and NCI
- Patented pre-assembled FLS Front Loading System) for easy installation with concealed screws and fittings (patent no. GB 228 9302B)
- Recommended tray model - Fineline 60 see page 121

COLONADE CURVED CORNER



RH Opening



DIMENSIONS (MM) PRICES

MODEL CURVED	A	B	C	D	E	PRICE (EX. VAT)	PRICE (INC. VAT)
NCC800	823	823	564	550	998	£1,346.00	£1,615.20
NCC900	923	923	636	622	1100	£1,434.00	£1,720.80

- LH/RH opening, please specify
- Matki Glass Guard Easy Clean protection included
- 6mm Safety Glass
- High-lustre anodised Aluminium frame with Chrome finish
- Dedicated Shower Tray included in the price
- Patented pre-assembled FLS Front Loading System for easy installation with concealed screws and fittings (patent no. GB 228 9302B)
- Available with raised tray option* allowing waste pipe to run between tray and floor in any direction, raised tray adds 100mm to overall height. Add £88 excluding VAT and add 'Raised' after model number