

# matki

# SHOWERING

## ELEGANZA

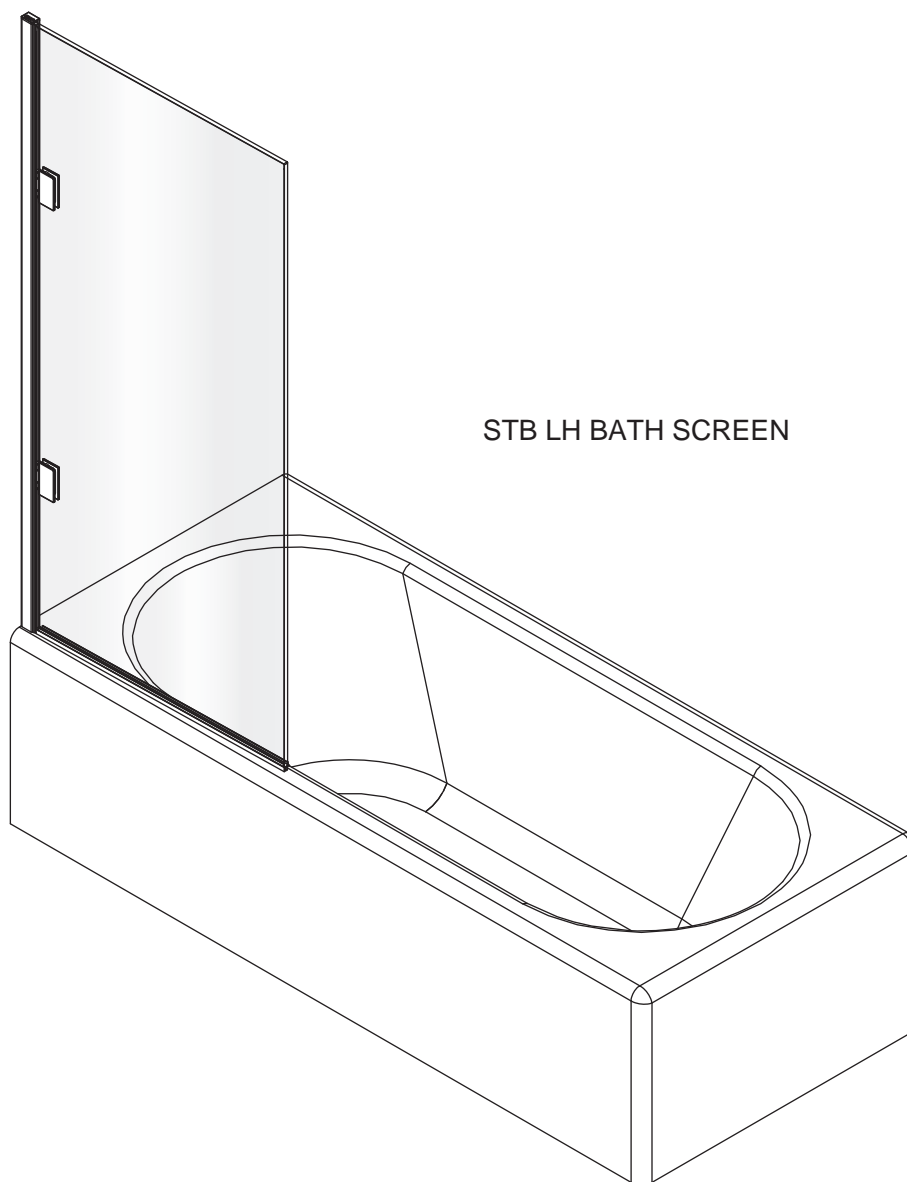
### STB- SINGLE PANEL HINGED BATH SCREEN

INSTALLATION

PARTS LIST

STB 700  
STB 800

THE STAGES IN THIS  
INSTALLATION BOOKLET SHOW  
AN STB 700 LH BATH SCREEN



STB LH BATH SCREEN

**MATKI PLC, CHURCHWARD ROAD, YATE, BRISTOL, BS37 5PL**  
TELEPHONE:01454 328816 (AFTER SALES) FAX:01454 328821 EMAIL: techsupport@matki.co.uk

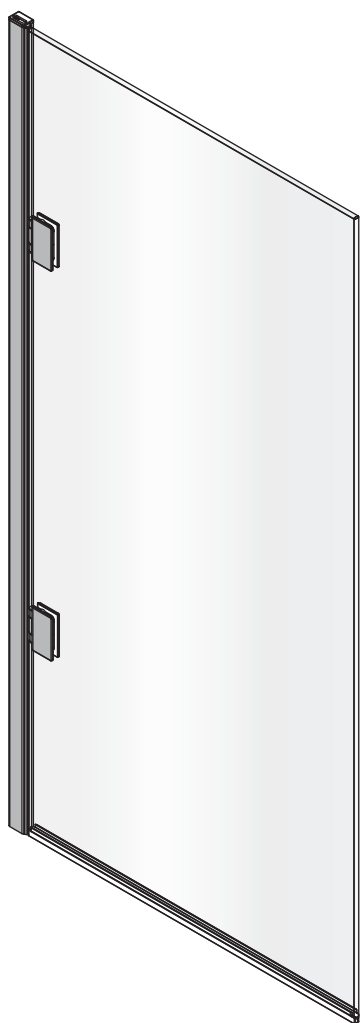
0967 AF 12/17

HANDING

## ELEGANZA

### STB- SINGLE PANEL HINGED BATH SCREEN

STB LH PANEL



STB RH PANEL



THE STAGES IN THIS INSTALLATION BOOKLET SHOW AN STB LH PANEL INSTALLATION, REVERSE FOR RH.

## IMPORTANT

Before disposing of carton and/or commencing assembly, please check all the parts to ascertain that none are missing and they are all undamaged. No claim for missing/damaged parts will be accepted once the packing carton has been disposed of and/or assembly has commenced.

In case of query contact your Stockist with details of model number and details of serial number.

### PREPARATION IMPORTANT

1. Please read complete installation instructions before fitting for enclosure and tray (if fitting).
2. The bath screen is 10mm Glass construction. Large glass panels are very heavy. We recommend the use of safety glasses and non slip gloves when handling the glass panels.
3. Ensure that the product can be **fixed** to a **solid masonry wall** or suitable **timber stud work grade C16/C24** in the area behind the wall frames.
6. The assembly should be installed onto a waterproof wall covering and installed after the bath and wall coverings are in place.
7. Seal between bath and tiles. Remove any excess sealant from the area/joint between the tray and the tiles where the wall mount unit is to be fitted. This will ensure the wall mount fits correctly to the wall and bath top.

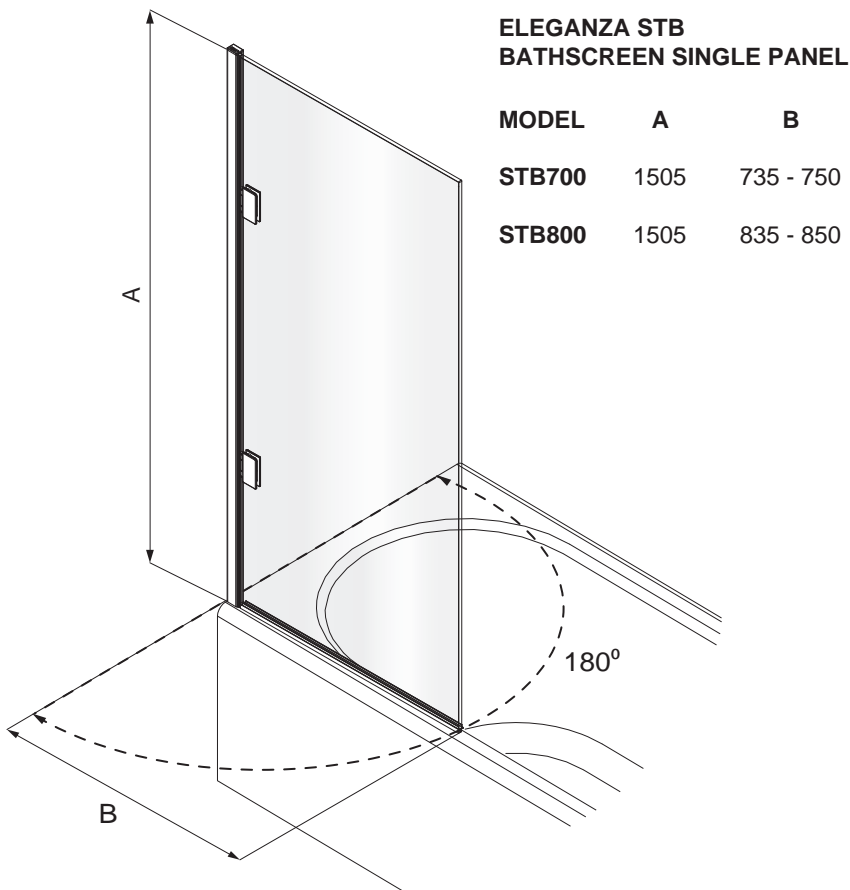
**CAUTION: TEMPERED GLASS CANNOT BE CUT, POLISHED METAL AND CHROME CAN BE SCRATCHED. CAREFULLY REMOVE ASSEMBLY FROM CARTON, DO NOT PLACE GLASS ON HARD FLOOR OR EXPOSE EDGES TO IMPACT.**

### TOOLS REQUIRED

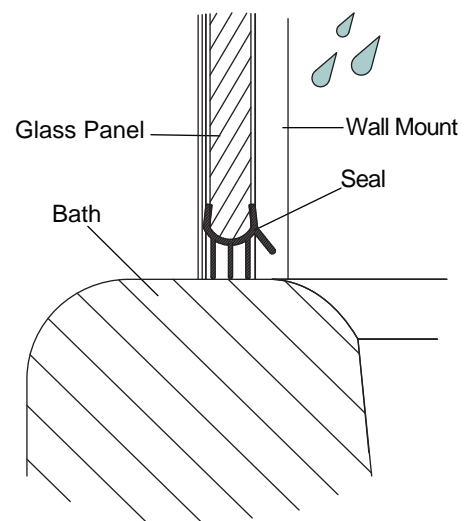
Masonry Drill bit 6mm, Tape Measure, Screw Drivers, Safety Glasses, Electric Drill, Level, Pencil, Adjustable Spanners, Non Slip Gloves

## DIMENSIONS

Dimensions are approximate

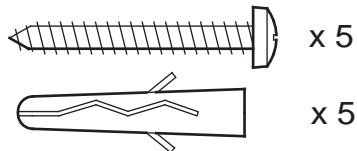


### TYPICAL INSTALLATION OF BATHTHSCREEN ON BATH

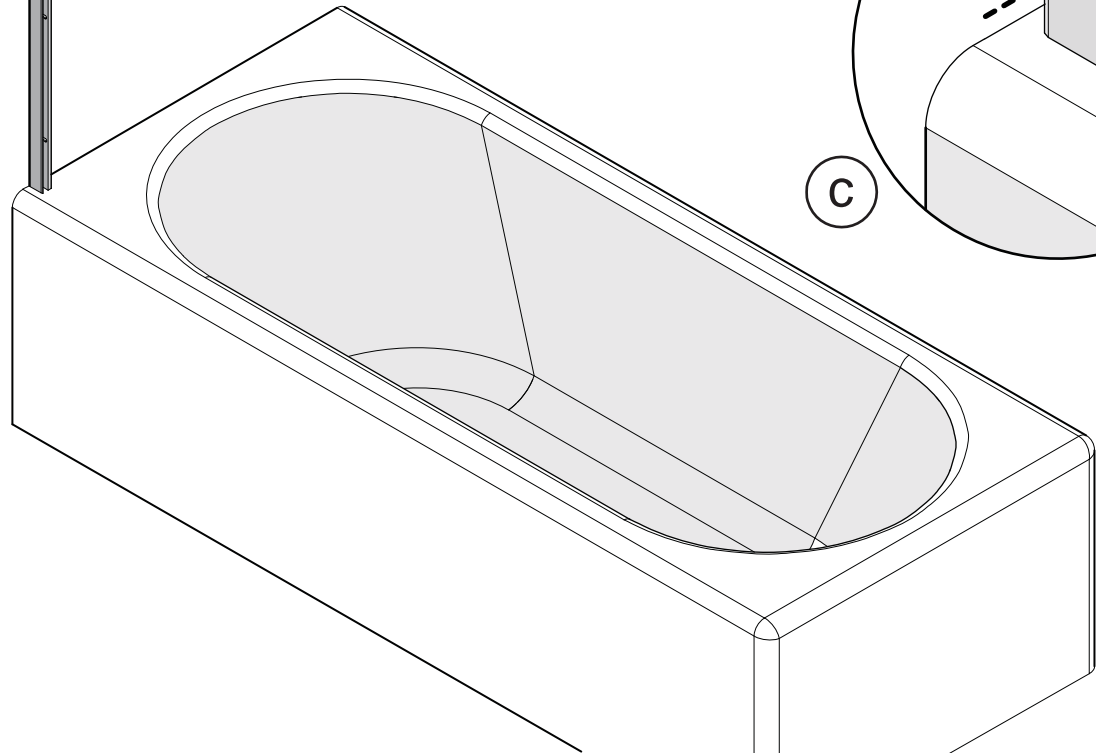
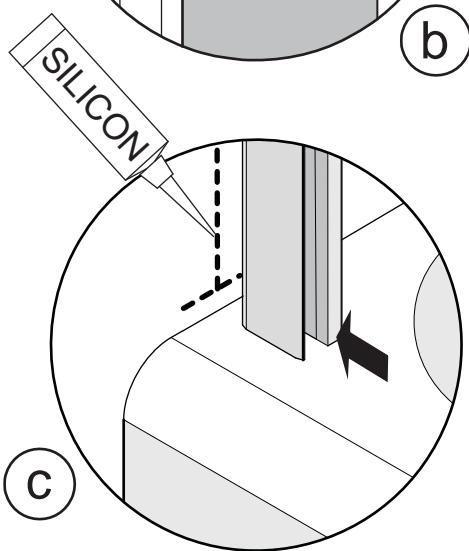
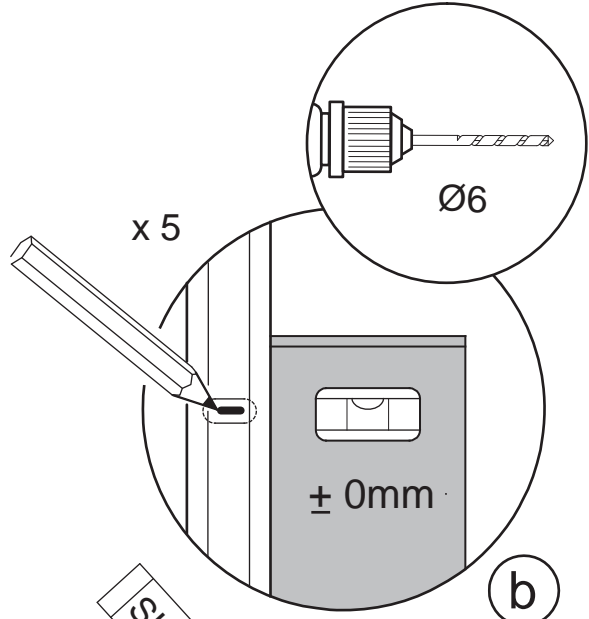
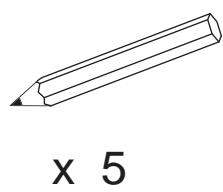


It is recommended to install the bath screen close to the inside edge of the bath to reduce any unwanted water build up.

# STAGE 1



a 50mm



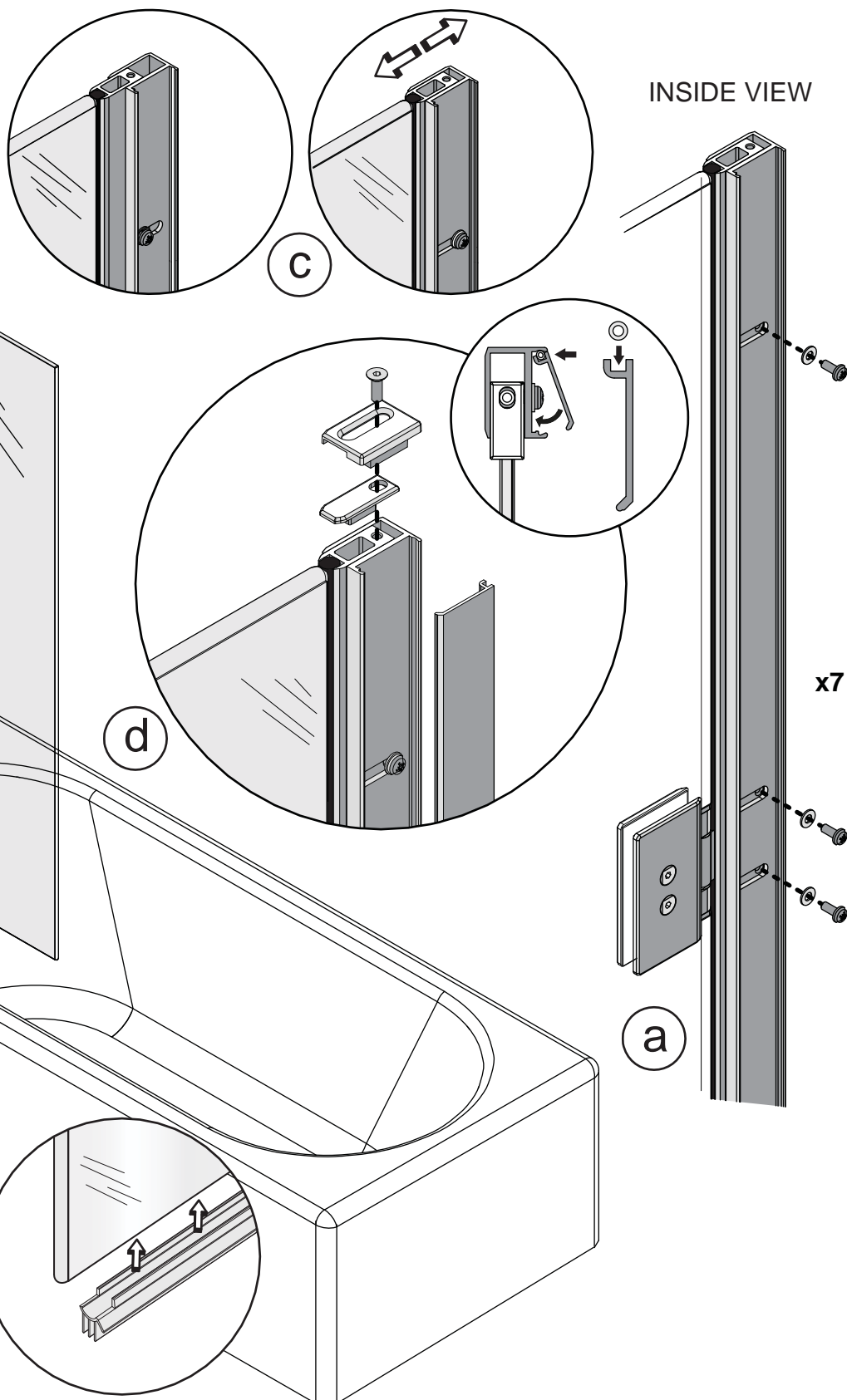
**This stage is describing the fitting of the wall mount.**  
The wall mount is supplied assembled to the panel. Carefully remove the inside cover and wall mount adjustment screws, washers and wall mount. Store the adjustments screws and washers in a safe place for re assembly in Stage 2.

**a.** The Wall mount has a top and bottom, the top has the wall fixing slot 50mm from the top.

**b.** It is recommended that the wall mount is positioned so that the Bath panel is close to the inside edge of the bath. This will help to reduce unwanted water build up. Plumb the wall mount for upright and mark the fixing holes in the centre of the slots.

**c.** Drill 5 x fixing holes in the wall and insert the wall plugs. Clean the area and apply silicon sealant to the area behind the wall mount between the bath and tiles and 100mm up the wall, central to the width of the wall mount. Secure the wall mount using the No.8 x 32mm pan head screws, plumb the wall mount for upright do not over tighten the screws to allow for adjustment.

## STAGE 2



**This stage is describing the fitting of the hinge panel, horizontal seal and adjustment.**

**IMPORTANT:** There is no adjustment in the Bath Screen hinges.

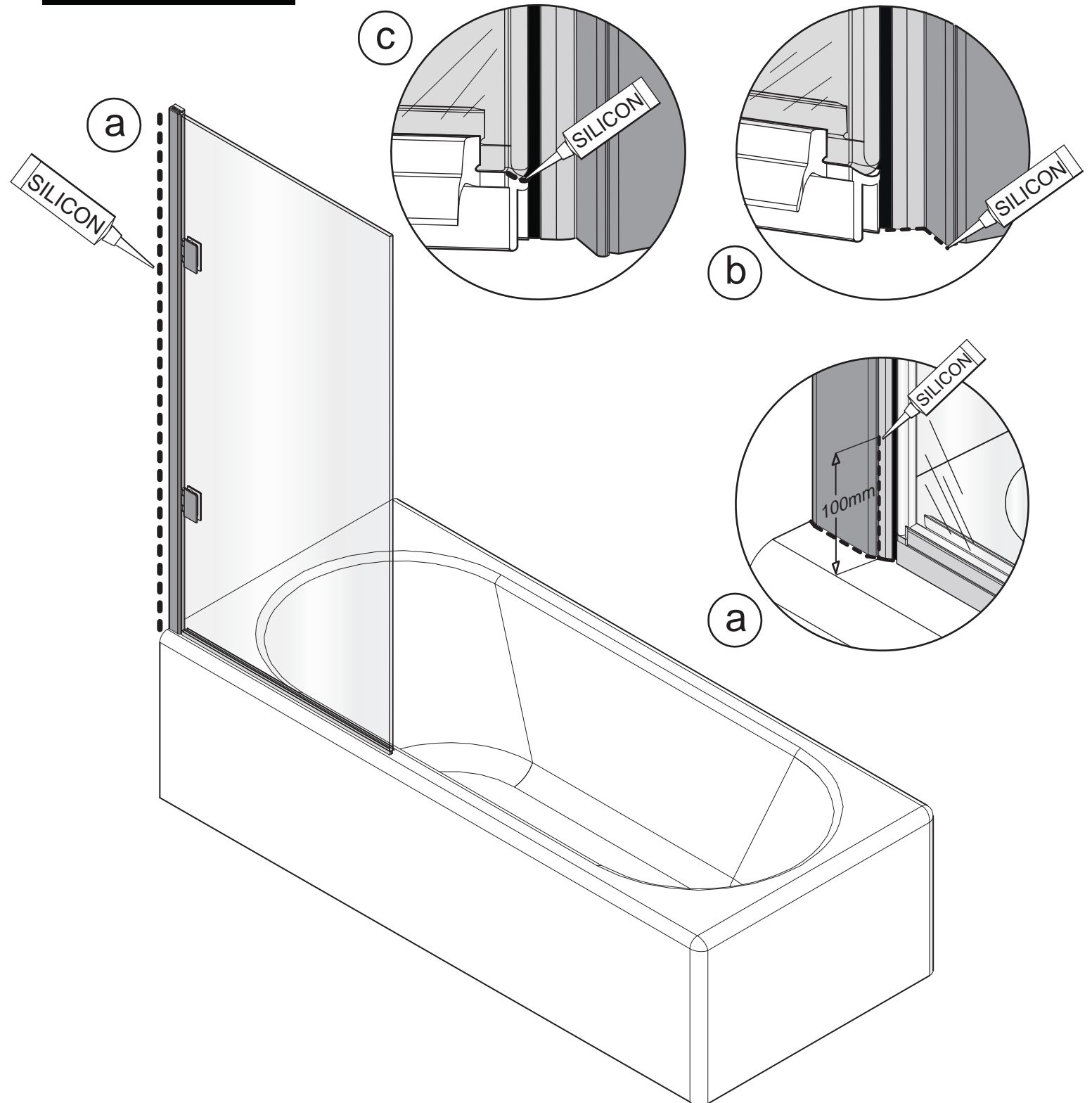
**a.** Fit the Bath Screen to the wall mount and secure with the 7 x M4 x 10 adjustment screws and washers.

**b.** Fit the Bath Screen horizontal seal to the bottom edge of the panel with the deflector edge on the inside of the glass panel. Push fit the seal onto the glass so that the end of the seal is flush with the end of the hinge panel glass where it meets the soft black vertical hinge seal.

**c.** Adjust the glass panel within the wall mount so that the horizontal seal just touches the top of the bath. The horizontal seal can be pulled down from the glass panel as required.

**d.** When adjustment is complete fit the wall mount cover to the inside of the wall mount. Fit the hinge frame top cap and wall mount top cap and secure with the M4 x 12 csk socket screw.

## STAGE 3



### This stage is describing the application of silicon sealant.

**a.** Apply a thin bead of silicon sealant on the outside along the bottom edge of the wall mount and hinge frame where it meets the bath. Seal up to black vertical seal and 100mm up the joint between the wall mount and hinge panel frame.

Apply silicon sealant all the way up the outside of the wall mount extrusion between the wall mount and tiles.

**b.** Apply a thin bead of silicon sealant on the inside corner up to the black vertical seal between the wall mount and bath as shown.

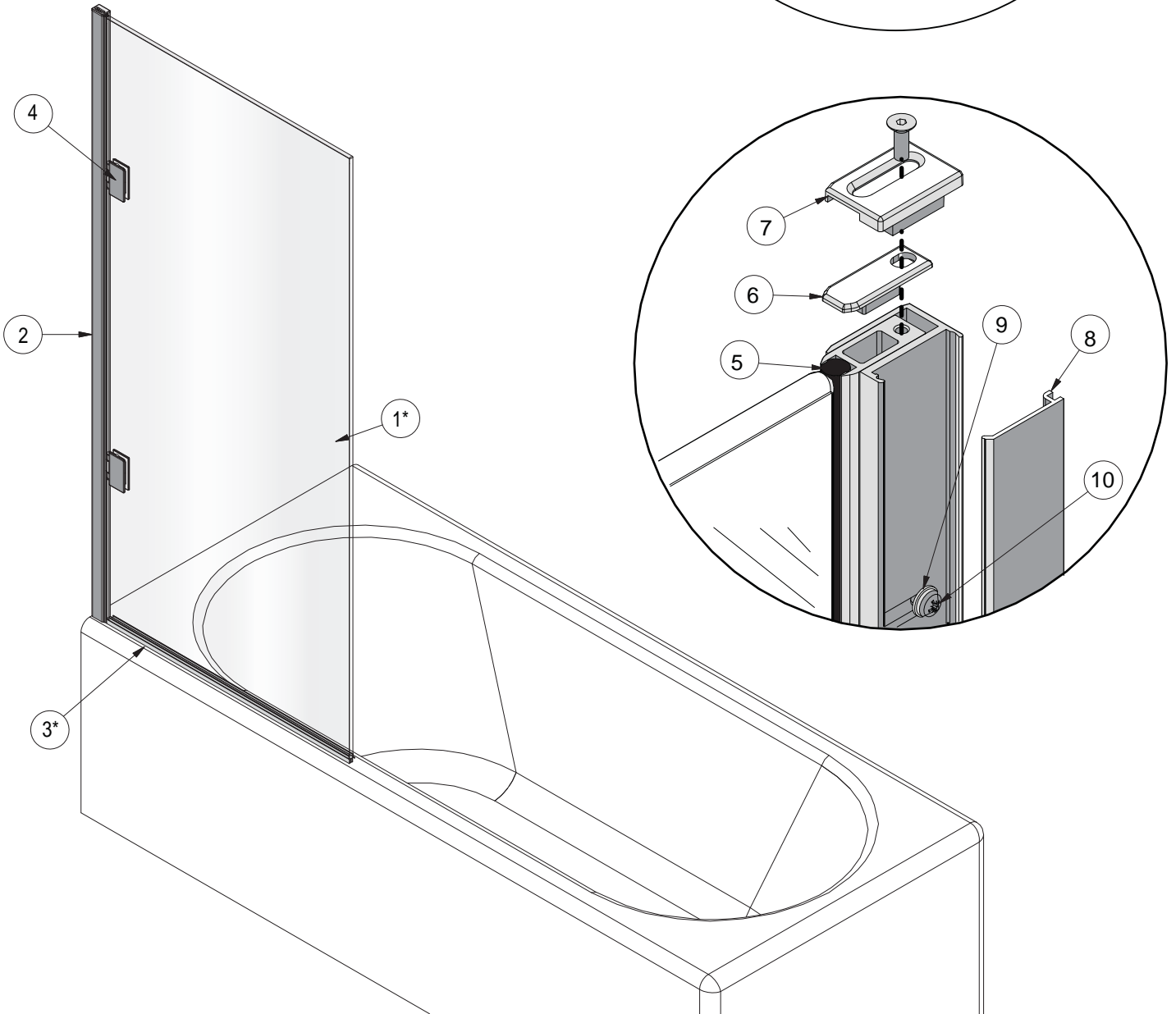
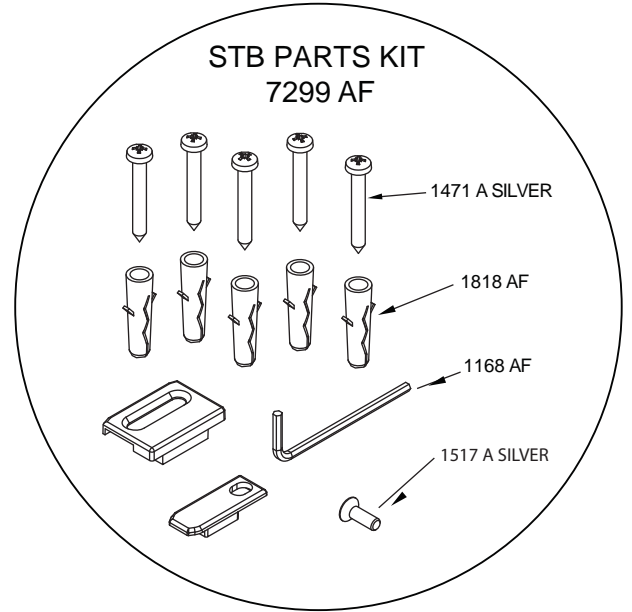
**c.** Apply a small spot of silicon sealant at both ends of the seal between the bottom edge of the glass panel and seal. Position the Bath Screen in the open position along the bath and allow for the silicon sealant to cure.

Masking tape can be used to achieve a tidy edge to the sealant. Remove the masking tape immediately and allow the silicon to cure for 24 – 48 hours before using the shower.

# PARTS LIST

\* ITEM VARIES DEPENDING ON MODEL

PARTS LIST				
ITEM	DESCRIPTION	PART No.	QTY	LENGTH
1*	STB 700 GLASS PANEL	8179 M CLEAR/PLAIN	1	
1*	STB 800 GLASS PANEL	8180 M CLEAR/PLAIN	1	
2	STB WALL MOUNT	7440 A SILVER	1	
3*	STB HORIZONTAL SEAL 700	2375 CLEAR	1	700mm
3*	STB HORIZONTAL SEAL 800	2376 CLEAR	1	800mm
4	STB HINGE ASSEMBLY	7292 AF	2	
5	STB VERTICAL SEAL	1753 AF	1	
6	STB HINGE FRAME TOP CAP	7471 A SILVER	1	
7	WALL MOUNT TOP CAP	5833 A SILVER	1	
8	STB WALL MOUNT COVER	7447 A SILVER	1	
9	M4 WASHER	1930 AF	7	
10	M4x10 PAN HEAD SCREW	1246 A SILVER	7	
11	STB PARTS KIT	7299 AF	1	
12	INSTALLATION INSTRUCTIONS	0967 AF	1	
13	GUARANTEE BOOKLET	1061 AF	1	
14	CLEAR SILICON SEALANT 78g	1967 AF	1	



We recommend that these instructions are handed to the user with a note of a date of purchase and model details.  
To order replacements quote: Part Descriptions, Model, Part Number and Colour.

## MAINTENANCE

### Matki Glass Guard Easy Clean Surface Protection (optional) and General Cleaning Guide

#### Cleaning Instructions

Matki Glass Guard allows water to form minute beads which easily trickle off the surface of the glass. This makes the glass easier to clean - the glass does not need to be cleaned as frequently, but it does require occasional maintenance. As less cleaning is required the use of detergents can be minimised thus helping to protect the environment. The lifespan of the Matki Glass Guard is dependant on the frequency of use of the shower and the degree of water hardness.

The combination of alkaline materials and humidity affects glass in an extremely aggressive way. Do not use bleach, alkaline, acid-based or aggressive and abrasive glass cleaners, detergents or household cleaning products on the glass or frames.

We recommend that glass is washed down with clean water and a soft clean cloth or sponge and dried off with a microfibre cloth.

The special coating is only present on the inside of the glass.

Matki Glass Guard is guaranteed for 2 years provided that the guidelines and cleaning instructions are followed.

Aluminium and Chrome parts should be cleaned with a mild non scratch household cleaner and a soft cloth or sponge.

Do not use acidic-based descaler products or products which are unsuitable for cleaning enamelled surfaces, including abrasive cleaners or cleaners containing bleach or solvents, as the products will effect the anodised framework. Under no circumstances use cleaners with a pH level exceeding 8.

Matki does not recommend the use of 'Leave-on' shower cleaners on Matki Glass Guard Products.

**Water Softeners and Glass Guard** - Certain types of water softeners increase the alkalinity of the water due to a carry-over of Chloride during re-generation which can cause aggressive water spots on both untreated and Glass Guarded glass. If using a water softener we recommend a two-cylinder machine with automatic re-generation instead of a timer.

If a single-cylinder water softener with timer is already installed it is recommended that after each shower excess water is removed from the glass with a squeegee or with a micro-fibre cloth.



Wash down with clean warm water and a soft clean cloth or sponge.



Do not use bleach, alkaline or acid-based, aggressive or abrasive cleaning products.

Flash Bathroom Spray or Cif Bathroom Spray can be used on Matki Products.

Various specialist cleaning and glass dressing products are available from Ritec International Ltd Tel. 020 8344 8210 or [www.ritec.co.uk](http://www.ritec.co.uk).

Matki Plc is not connected with Ritec International Ltd in any way and the contact details are supplied for information only. Read manufacturers label before using any cleaning materials.

#### IMPORTANT

Matki Glass Guard is guaranteed for 2 years. It is essential that the cleaning instructions are followed in order to maintain the hydrophobic properties of the glass coating. In the event of the failure to comply in any way with these instructions, any warranty or guarantee will be null and void.

**MATKI PLC, CHURCHWARD ROAD, YATE, BRISTOL, BS37 5PL**  
TELEPHONE:01454 328816 (AFTER SALES) FAX:01454 328821 EMAIL: [techsupport@matki.co.uk](mailto:techsupport@matki.co.uk)

CE

matki | SHOWERING

13

Matki PLC, Churchward Road, Yate,  
Bristol BS37 5PL

EN 14428:2008+A1