

# SPECIFICATION SHEET

**COLLECTION:** LIFE

**PRODUCT CODE:** LIF-145A-C/P



**DESCRIPTION:**

concealed shower valve  
single lever  
wall mounted  
ceramic cartridge CAR-K35A  
2 x 1/2" inlets  
2 x 1/2" outlets (one is blanked off)  
min-max wall mount 40mm-65mm  
minimum operating pressure 0.2 bar LP shower / 1.5 bar MP bath

**FINISH:**

Chrome

**MINIMUM OPERATING PRESSURE:**

0.2 bar LP (shower) 1.5 bar MP (bath)



tel: 01934 744466  
email: sales@vado.com  
www.vado.com

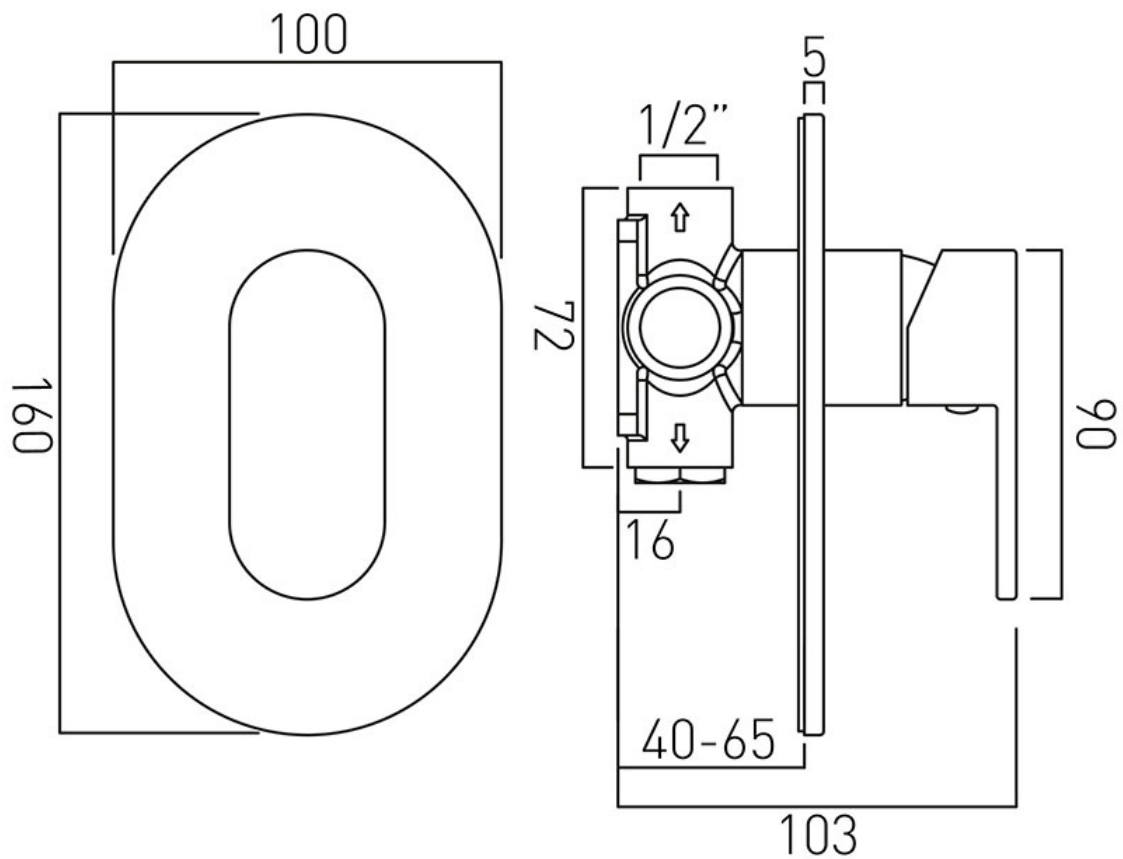
**where inspiration flows**  
taps | showering | accessories



# TECHNICAL DRAWING

**COLLECTION:** LIFE

**PRODUCT CODE:** LIF-145A-C/P



tel: 01934 744466  
email: sales@vado.com  
www.vado.com

**where inspiration flows**  
taps | showering | accessories

