

SPECIFICATION SHEET

COLLECTION: LIFE

PRODUCT CODE: LIF-130+K-C/P



DESCRIPTION:

2 hole bath shower mixer
deck mounted
with shower kit
cold ceramic cartridge SUM-137/VALVE-CL
hot ceramic cartridge SUM-137/VALVE-HT
2 x 3/4" fitted tails
deck mount drill hole diameter 28-30mm
minimum operating pressure 0.2 bar LP

FINISH:

Chrome

FLOW REGULATOR:

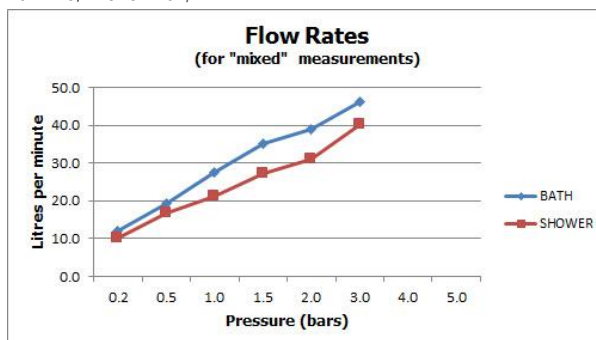
FR-SHOWER/9-C/P

MINIMUM OPERATING PRESSURE:

0.2 bar LP

FLOW RATE AT 3.0 BAR FLOW PRESSURE:

Bath: 46, Shower: 40 l/min



tel: 01934 744466
email: sales@vado.com
www.vado.com

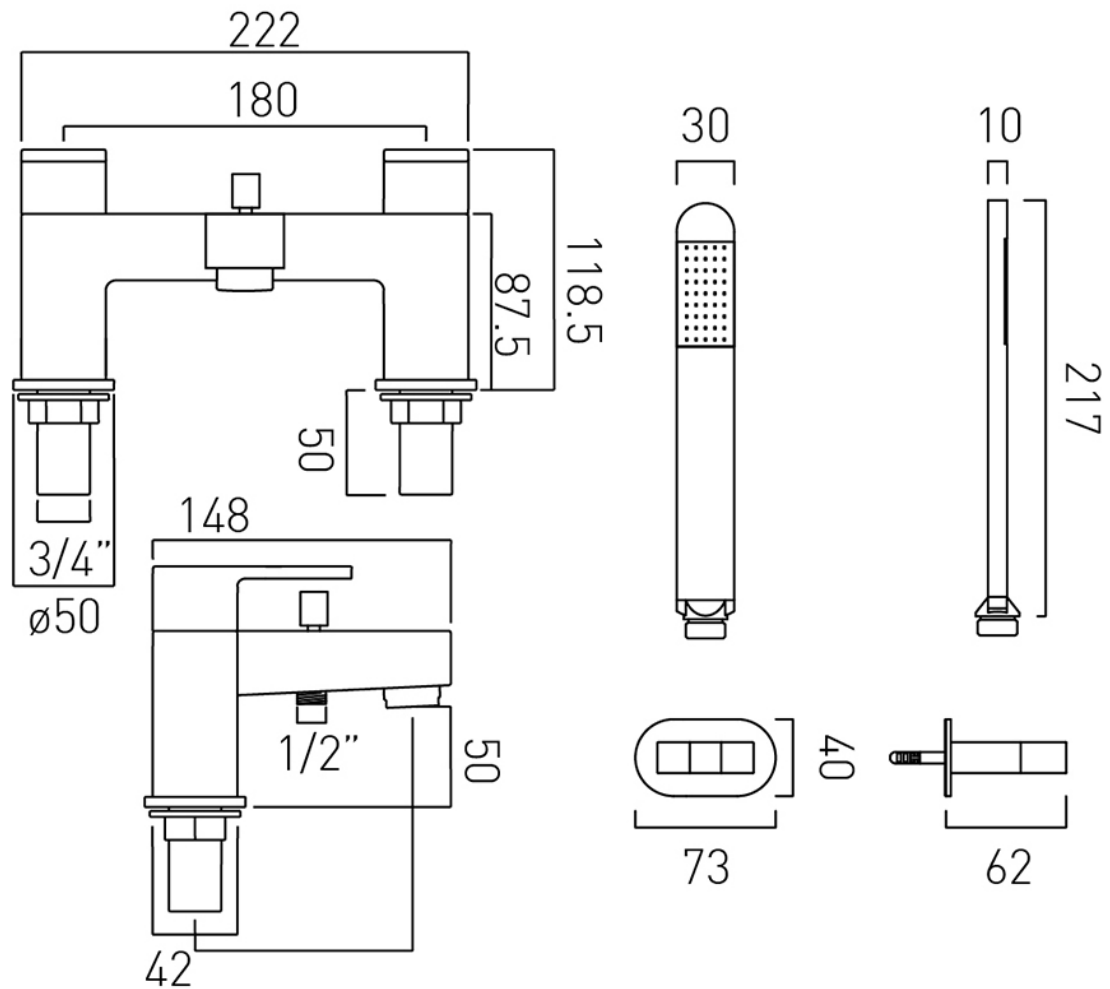
where inspiration flows
taps | showering | accessories



TECHNICAL DRAWING

COLLECTION: LIFE

PRODUCT CODE: LIF-130+K-C/P



tel: 01934 744466
email: sales@vado.com
www.vado.com

where inspiration flows
taps | showering | accessories

