

# KUDOS CURVED ULTIMATE 2

NEW SLIMLINE DESIGN

## INSTALLATION INSTRUCTIONS

Suitable for use only on  
KUDOS 1500 & 1700  
BOWED SHOWERTRAYS

Please read these instructions throughout before installing as incorrect fitting will invalidate the guarantee. These instructions must be read in conjunction with the Hinged Deflector Panel installation instructions, if purchased. If you are unsure about these instructions please contact Kudos Shower Products 01539 564040

### HEALTH & SAFETY WARNING



**DUE TO THE WEIGHT & SIZE OF THE GLASS PANEL(S) A MINIMUM OF TWO PERSONS ARE REQUIRED TO MOVE AND INSTALL THIS ENCLOSURE**

### IMPORTANT

Check appearance of all product - any defects must be reported to Kudos Shower Products before assembly/installation. Claims for imperfections will only be accepted prior to assembly/installation

Any claims made under the terms of the Lifetime Guarantee must be reported to Kudos within 21 days of the fault occurring

Check the enclosure adjustment sizes are suitable for your installation

Use care when drilling into the walls to avoid hidden pipes or electric cables

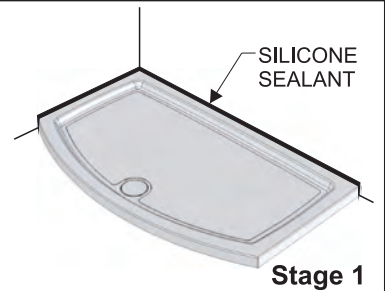
### TOOLS REQUIRED

- Pozi-head Screwdriver
- Tape Measure
- Spirit Level
- Hacksaw
- 3mm Allen Key - *supplied*
- Mains or Battery Drill
- 6mm Drill Bit
- Pencil
- Sealant Gun
- Silicone Sealant - *we recommend clear silicone*
- Wall fixings - *fixings supplied are for masonry use only*

### SHOWERTRAY - if installing

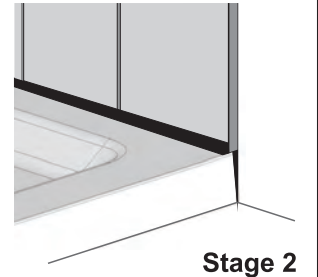
Ensure the top of shower tray is **LEVEL** in **ALL** directions

Once the tray is installed but **before** the wall tiles are fitted, any gap between the tray and the walls **must** be filled with silicone sealant flush with the top of the tray.



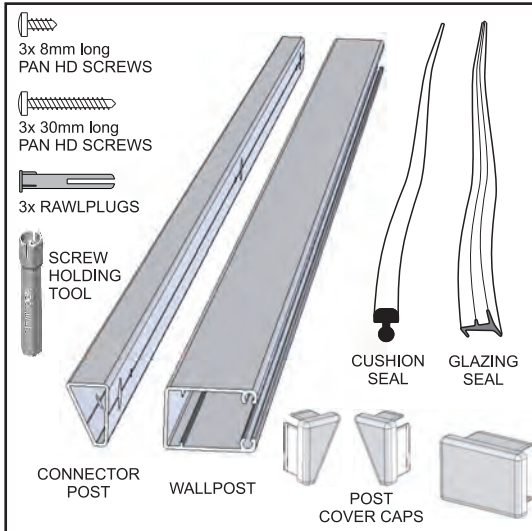
Once the walls have been tiled but **before** the enclosure is installed, the tiles **must** be silicone sealed to the tray all of the way around in one continuous bead.

**Failure to follow these instructions will result in leakage problems**

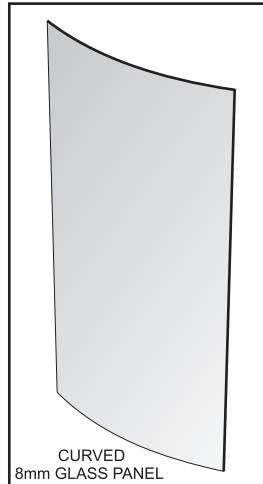


### GLASS and COMPONENT PACKS

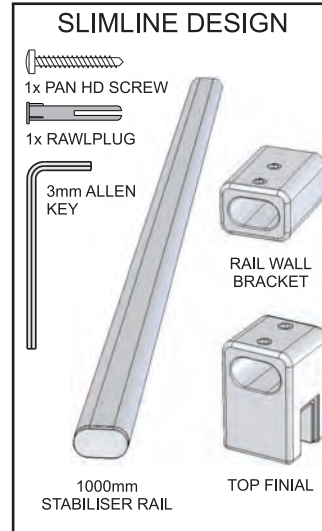
Please check to ensure that you have the correct packs for your installation before commencing work.



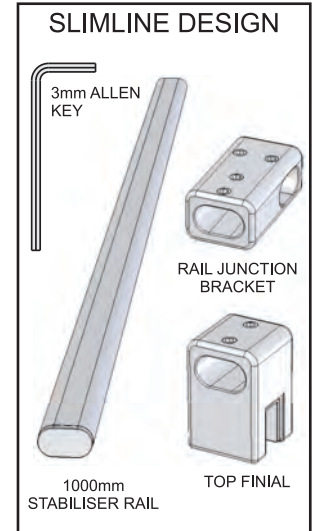
WALLPOST PACK  
10WPKCV



CURVED  
8mm GLASS PANEL  
5WPCV1000  
to suit 1500 bowed tray  
5WPCV1200  
to suit 1700 bowed tray



FRONT PANEL FIXING KIT  
10WPCVFPFK



SIDE PANEL FIXING KIT  
10WPCVSPFK

### CLEANING - general

For the wall post and fixings use only warm soapy water and damp cloth/sponge on a regular basis. After cleaning please rinse with clean water to remove any residue.

Do not use abrasive scouring powders, chemicals or aerosol cleaners - these may result in damage to the surfaces, in particular, the plated component parts.

See instruction opposite for glass cleaning advice.

**THESE INSTRUCTIONS ARE TO BE LEFT  
WITH THE CONSUMER**

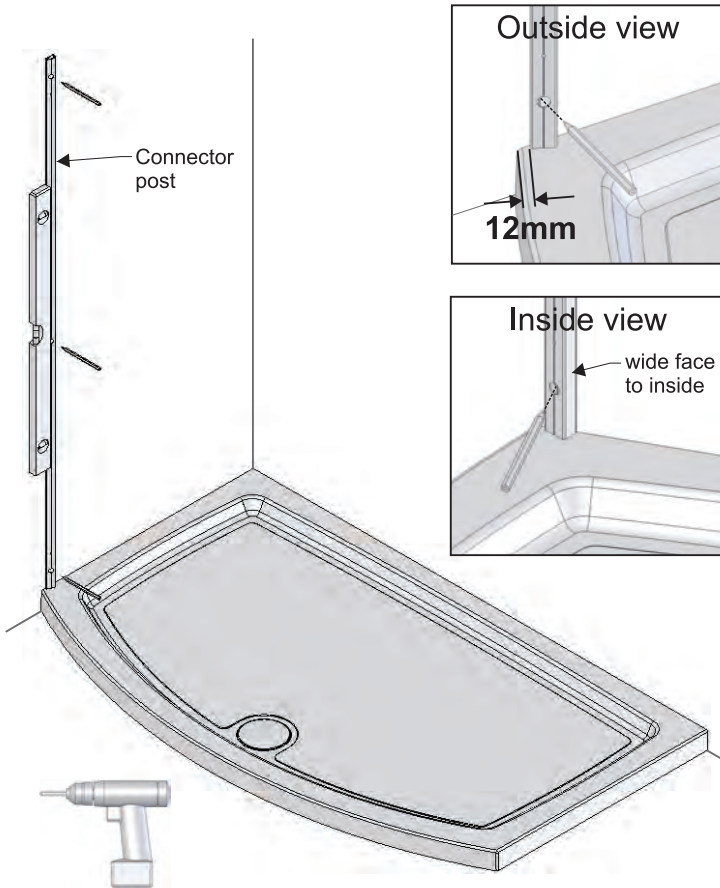
### KUDOS LIFESHIELD GLASS TREATMENT

The glass panels are pre-treated with Life Shield on the inside surfaces only. Whilst this makes cleaning the glass easier and helps prevent the build up of harmful lime-scale and soap deposits, the glass still needs to be maintained on a regular basis. We recommend the use of a detergent and aroma free glass cleaner (A 50/50 mix of white vinegar and water works well)

**DO NOT** use strong detergents, abrasive cleaners or abrasive scrubbing equipment for cleaning, these can damage the coating.

**DO** use a squeegee to remove remaining droplets of water from glass after showering, any build up of residue can be removed easily using an appropriate cleaner and agitation from soft cleaning equipment

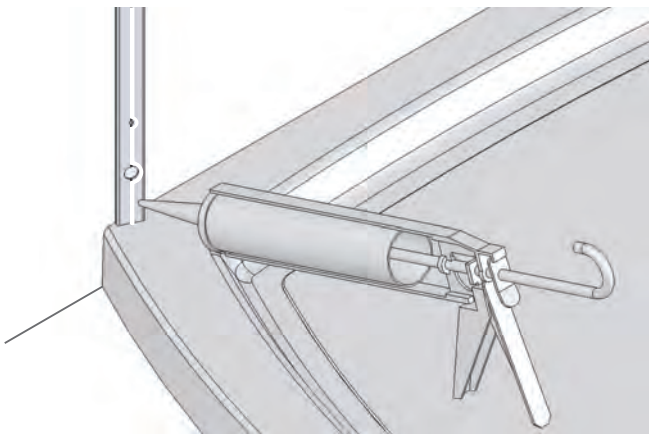
## 1. FIT CONNECTOR POST TO WALL



- Position connector post **12mm** in from front edge of tray, as shown above. Using spirit level to ensure the post is vertical, mark through the three 6mm dia. holes onto wall surface and remove post.
- Using 6mm drill bit, drill holes in walls to centre of marks made and fit rawplugs supplied or fixings suitable for the construction of the wall.
- Fix connector post to wall using 3x no.8's x 30mm long screws provided. Tighten all screws using pozi-head screwdriver.

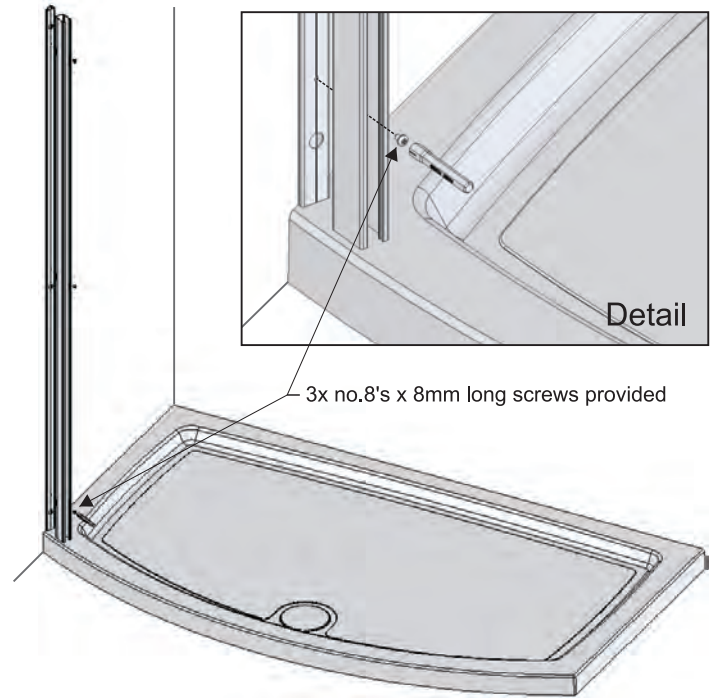
**TIP** Apply a bead of silicone sealant around bottom & centre holes made in wall before fixing wallpost to wall.

## 2. APPLY SILICONE SEALANT TO CONN. POST



- Apply a bead of silicone sealant down the groove in the middle of the connector post and around each hole, in one continuous length from top to bottom, as shown.
- Fit wallpost to connector post (next stage) whilst the silicone is still 'wet'.

## 3. FIX WALLPOST TO CONNECTOR POST

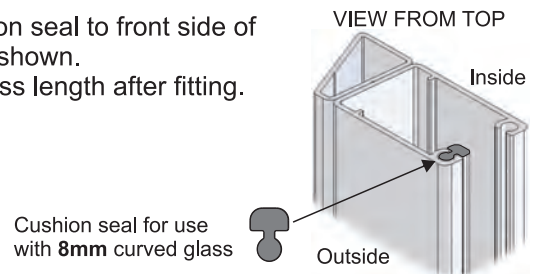


- Position wallpost against fitted connector post and fix into position using 3x no.8's x 8mm long screws supplied.
- Screws go through pre-drilled slots in back of wallpost and are screwed into pre-drilled holes in connector post. Tighten all screws with pozi-head screwdriver.

**TIP** Insert screw heads into the wizard tool to aid insertion of screws into connector post.

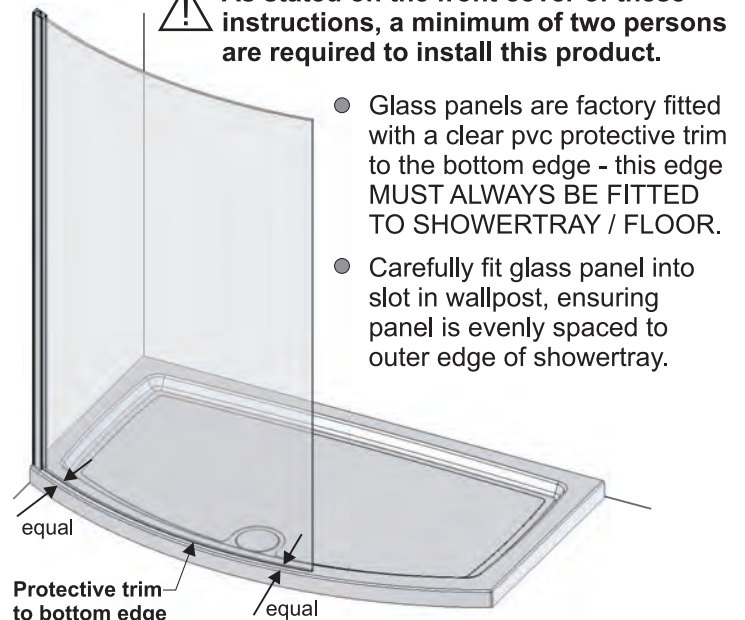
## 4. FIT CUSHION SEAL INTO WALLPOST

- Insert cushion seal to front side of wallpost as shown. Cut off excess length after fitting.



## 5. FIT CURVED GLASS PANEL

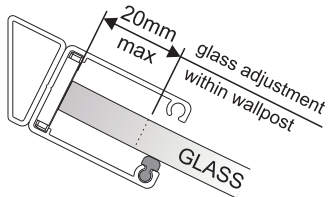
**!** As stated on the front cover of these instructions, a minimum of two persons are required to install this product.



- Glass panels are factory fitted with a clear pvc protective trim to the bottom edge - this edge **MUST ALWAYS BE FITTED TO SHOWERTRAY / FLOOR.**
- Carefully fit glass panel into slot in wallpost, ensuring panel is evenly spaced to outer edge of showertray.

## 6. FIT GLAZING SEAL TO SECURE PANEL

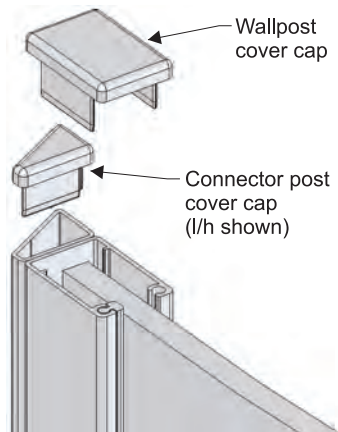
- Secure panel by inserting glazing seal, starting at top and working downwards, trim excess length.



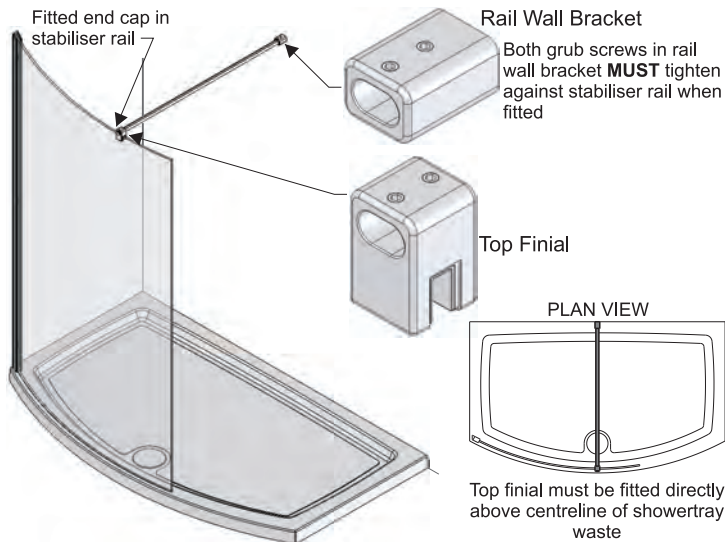
**TIP** If tight, lubricate glazing seal with water. Do not stretch seal when inserting, because, after cutting to length, the seal will shrink and leave a gap.

## 7. FIT TOP COVER CAPS

- Position relevant Connector post cover cap (left hand & right hand caps supplied) over connector post profile and press down to secure.
- Position Wallpost top cover cap over wallpost profile and press down to secure.

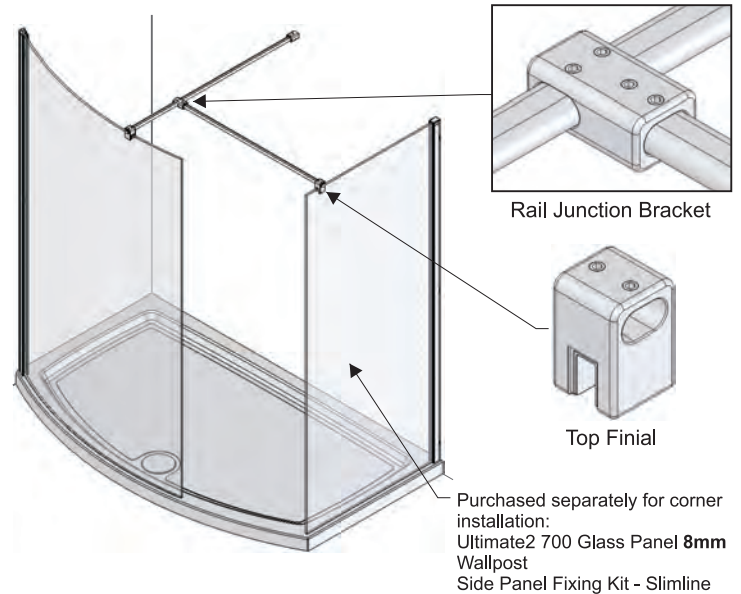


## 8. FIT FRONT PANEL FIXING KIT



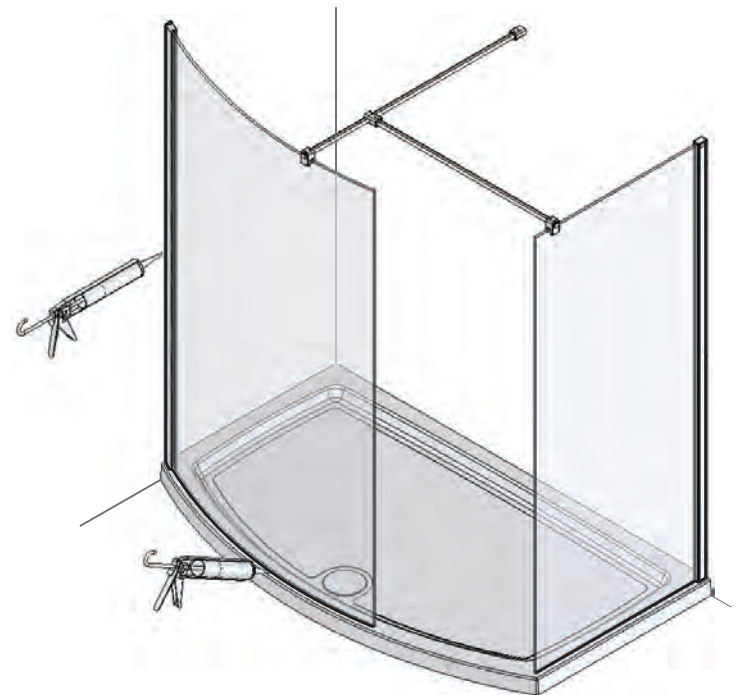
- Fit top finial to top edge of glass panel and secure in position by tightening screw (to inside face) using 3mm allen key supplied - **Top finial must be fitted directly above centreline of the waste in showertray.**
- Carefully slide stabiliser rail through top finial and mark position of rail to back wall - please ensure that rail is both level and square to wall.
- Find centre of mark on wall, drill (6mm) and fit rawlplug.
- Fix rail wall bracket to wall using screw provided, ensuring the grub screws are facing upwards.
- Slide rail through top finial and **fully** into wall bracket, measure length protruding from top finial and cut rail to length using hacksaw. Cut opposite end to fitted end cap.
- Secure rail by tightening top grub screws in top finial and 2x grub screws in wall bracket using 3mm allen key.

## 9. FIT SIDE PANEL FIXING KIT - if purchased



- Refer to installation instructions supplied with the side panel glass to fit wallpost and glass side panel.
- Fit rail junction bracket to front stabiliser rail, ensuring grub screws face upwards.
- Fit top finial to glass side panel.
- Cut rail, if necessary, as previously described. Secure rail in position by tightening all grub screws.

## 10. APPLY SILICONE SEALANT

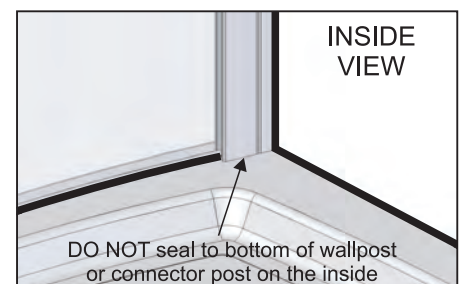


### OUTSIDE Enclosure

Seal glass panels to showertray / floor, seal wallposts to wall & showertray / floor.

### INSIDE Enclosure

Seal glass panels to showertray/floor, seal wallposts to wall, DO NOT seal bottom of wallpost to showertray/floor.

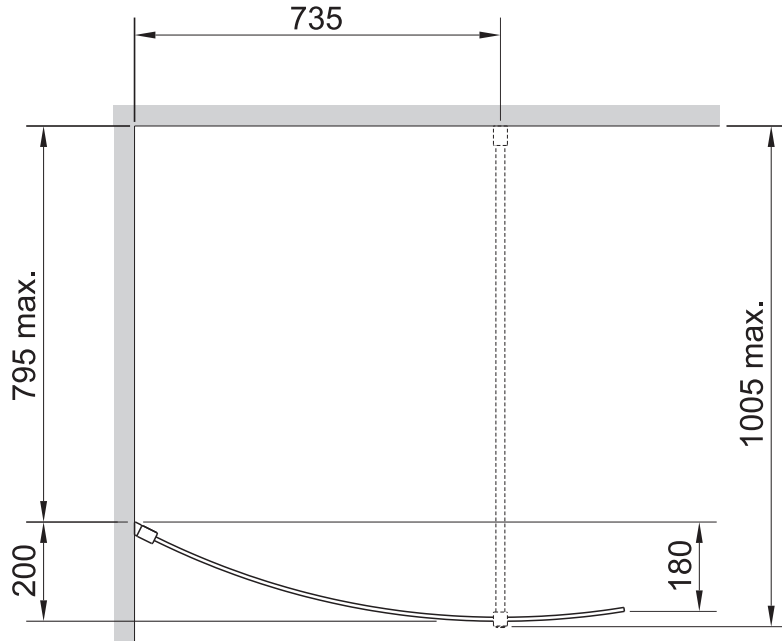


Allow 24hrs for silicone to fully cure before using the enclosure

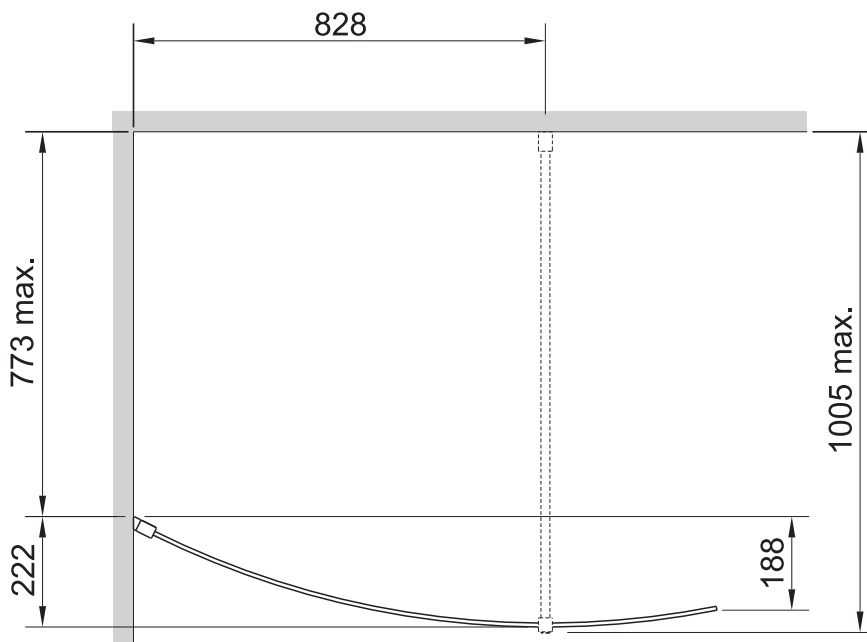
## INSTALLING ONTO WET-ROOM FLOORING

- If installing onto a wet-room floor, the curved panel must be in contact with the floor along its entire width.
- Silicone sealant must be applied as previously described in Stage 10.
- Dimensions shown assume the glass panels are fully inserted into the wallpost.

### 1000 CURVED PANEL



### 1200 CURVED PANEL



All dimensions are in mm