

SPECIFICATION SHEET

COLLECTION: KOVERA

PRODUCT CODE: KOV-100E/SB-C/P



DESCRIPTION:

extended mono basin mixer
single lever
deck mounted
smooth bodied
without universal basin waste
ceramic cartridge ST-231L/25-CAR
2 x 1/2" nut x 550mm flexipipe connections
deck hole drill diameter 35mm
minimum operating pressure 0.2 bar LP

FINISH:

Chrome

FLOW REGULATOR:

fitted as standard

MINIMUM OPERATING PRESSURE:

0.2 bar LP

FLOW RATE AT 3.0 BAR FLOW PRESSURE:

5.5 l/min



tel: 01934 744466
email: sales@vado.com
www.vado.com

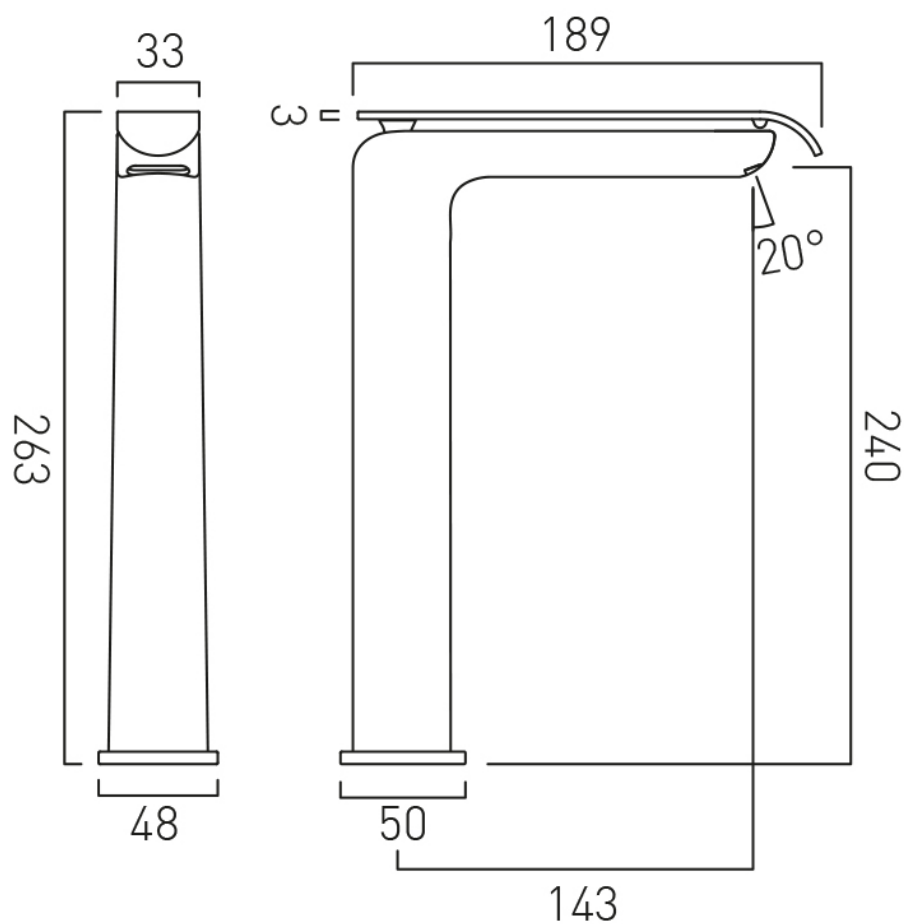
where inspiration flows
taps | showering | accessories



TECHNICAL DRAWING

COLLECTION: KOVERA

PRODUCT CODE: KOV-100E/SB-C/P



tel: 01934 744466
email: sales@vado.com
www.vado.com

where inspiration flows
taps | showering | accessories

