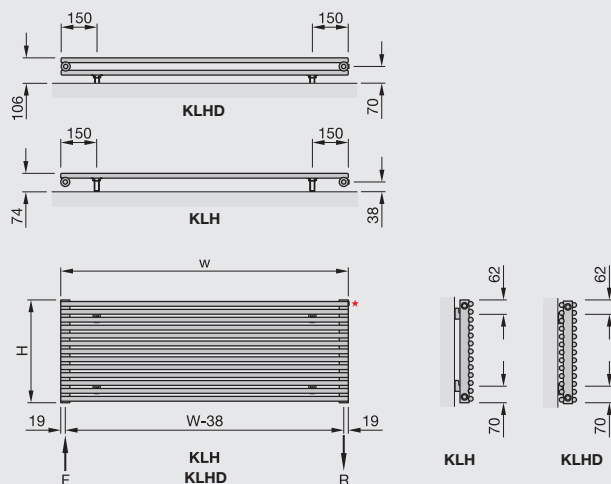


Central Heating Model <b>STOCK</b> listed in black	Height mm	Width mm	Number of tubes	Finish	Output $\Delta T=50K$ Watts/btu All outputs certified to EN 442	Pipe centres	Weight kg	RRP (ex VAT)	RRP (inc 20% VAT)
🔥 Zehnder Kleo horizontal single panel									
<b>KLH-058-100</b>	596	1000	18	white	782/2668	962	12.4	<b>£262</b>	<b>£314.40</b>
<b>KLH-058-120</b>	596	1200	18	white	938/3201	1162	14.9	<b>£287</b>	<b>£344.40</b>
<b>KLH-058-140</b>	596	1400	18	white	1094/3735	1362	17.4	<b>£311</b>	<b>£373.20</b>
🔥 Zehnder Kleo horizontal double panel									
<b>KLHD-058-100</b>	596	1000	18	white	1211/4134	962	22.6	<b>£459</b>	<b>£550.80</b>
<b>KLHD-058-120</b>	596	1200	18	white	1453/4961	1162	27.1	<b>£502</b>	<b>£602.40</b>
<b>KLHD-058-140</b>	596	1400	18	white	1695/5787	1362	31.6	<b>£545</b>	<b>£654.00</b>

Made to measure sizes available (excluding chrome KLHD models)

🔧 **Colour finish:** Standard colours from the Zehnder colour chart including matt white finish: white RAL 9016 + 25%. Colour finish and non-stock products delivery: 20 working days.

\*1/8" air vent  
Width excludes air vent  
F = flow  
R = return  
H = height  
W = width  
Tube: Horizontal  $\varnothing$  38mm  
Tube: Vertical  $\varnothing$  20mm  
All dimensions in mm



For full **CE** compliant technical specifications, refer to page 140  
To make an approximate conversion from T=50K to T=60K multiply outputs by 1.2