

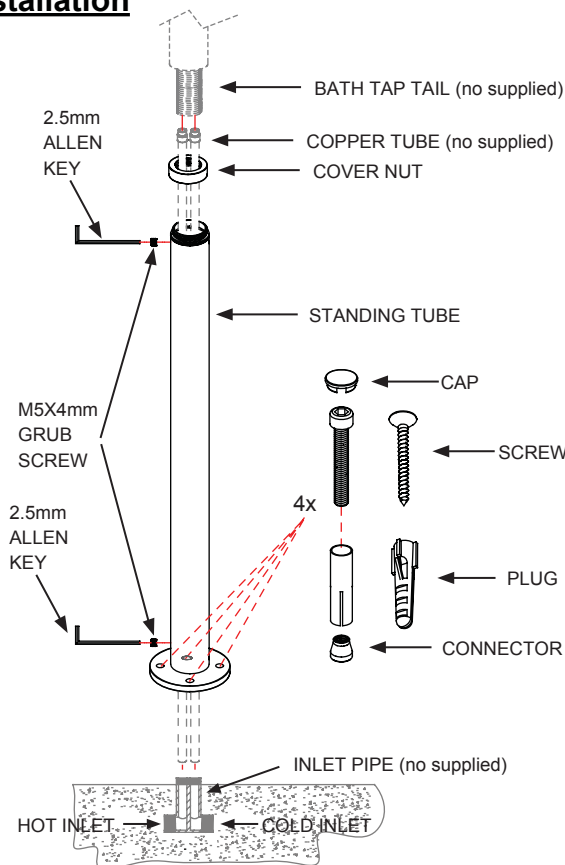
INSTALLATION INSTRUCTIONS

Crystal single Shroud - W24

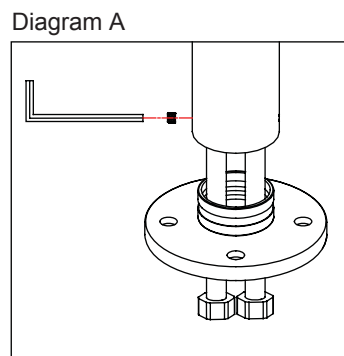
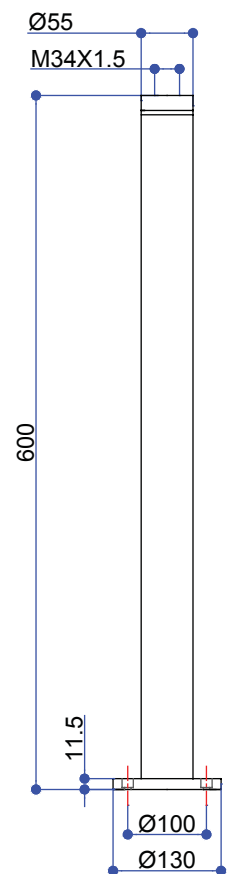
Important

- We recommend that this product is installed by a qualified professional contractor. Such as a plumber who is certified by NVQ (National Vocational Qualification) or SNVQ (Scottish National Vocational Qualification) Level 3.
- Please check this product immediately to ensure that it has not been damaged and is complete. Before installation, please make sure this product is the correct model and you have all the parts required for installation and using.
- Please read these instructions carefully and keep it for future reference.

Installation



Dimension



1. Before installation, please flush the water system to ensure that no metal swarf, solder, and other impurities can enter the product.
2. Turn off water supply before commencing work, this should be done at the isolating valves of inlet feeds if fitted or main stopcock.
3. Build up water inlet pipe from ground.
4. Take away the washer and fixing nut before you install the bath tap on the standing tube.
5. Screw off the cover nut from standing tube.
6. Screw on the cover nut on the bath tap tail (no supplied). Then screw on the copper tubes (no supplied) also.
7. For copper tubes, slide the copper tubes into the standing tube and tighten the cover nut.
For flexible tails, take off the bottom plate first, insert the flexible tail through the bottom plate one by one, then put the bottom plate back. Please refer to diagram A for details.
Ensure that while installing the standing tube, the bath tap is facing the correct direction.
8. Place the standing tube center of inlet pipe, and mark holes as per the bottom plate, drill and insert plug (if it is necessary).
9. Rise the standing tube on the inlet pipe, and fix the copper tubes or flexible tails to the inlet pipe.
10. Fix the standing tube on the floor with the supplied fittings (2 style screw & plug supplied, one is for Brick/Breezeblock floor, the other is for wooden floor), finally put on the caps.

Maintenance

We do NOT recommend you use any household cleaners to clean the product. Because these cleaners change substance or formula too frequently. The product should be always cleaned only with soapy water and rinsed with clean water and dried with a soft cloth.