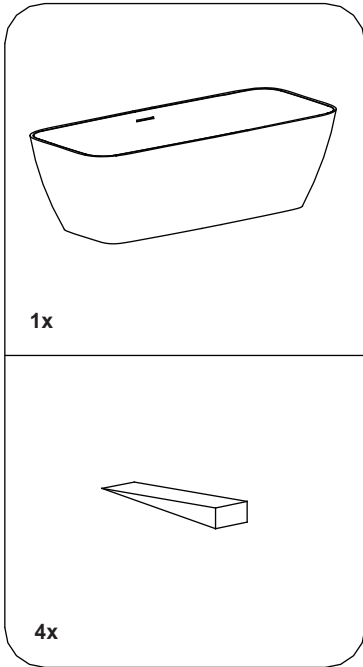


### Parts supplied:



### Important

- Please unwrap the bath and check it carefully to ensure it has not been damaged in handling or transport.
  - Please check that all parts have been supplied.
  - Assemble bath on a mat to protect against damage to bath surface.
  - Please do not remove the old fixture before you unpack and inspect the new unit.
  - Store the bath in a safe place until you begin installation to avoid damage.
  - Any installation should be carried out by a qualified tradesman with knowledge of statutory plumbing requirements in your area.
  - This product requires a two person lift – use proper lifting techniques.
  - This installation guide does not include details of waste connection; final decision about installation of waste connection should be taken by a suitably qualified person.
- ⚠ Do NOT overtighten the waste as this may cause long term damage to the bath. We recommend to use a torque wrench to tighten the waste by using a torque force between 25 Nm and 50Nm.**

### Care and Maintenance

Repairing a scratch: If any scratches occur during installation these can be removed by rubbing with a 1500+ grit waterproof abrasive paper and water.

Re-polish the surface afterwards using a neutral automotive colour restorer or household metal polish. For best results limit sanding to the smallest possible area around the scratch.

It may be possible to polish very fine scratches away without using abrasive papers: scrubbing gently with a soft brush or plastic pad (not metal scouring pad) and a mildly abrasive cream cleaner. Afterwards scrub the whole area with plenty of clean water and re-polish as before.

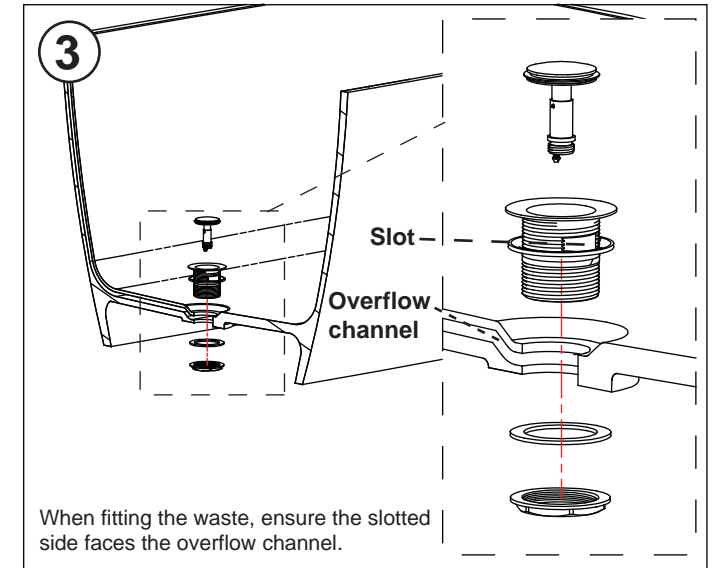
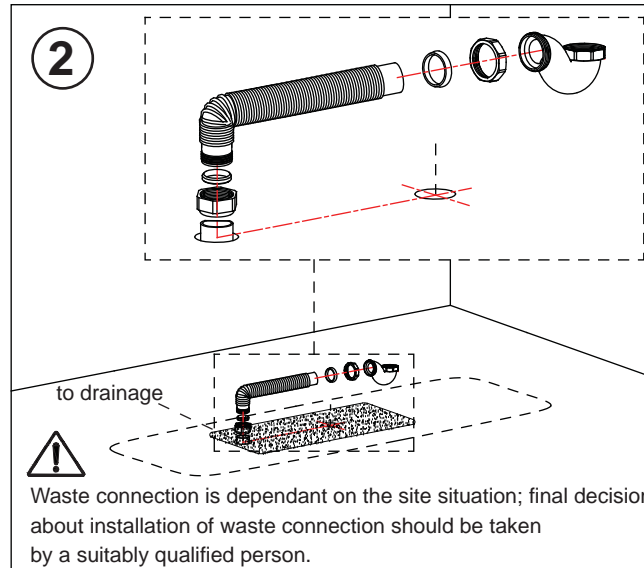
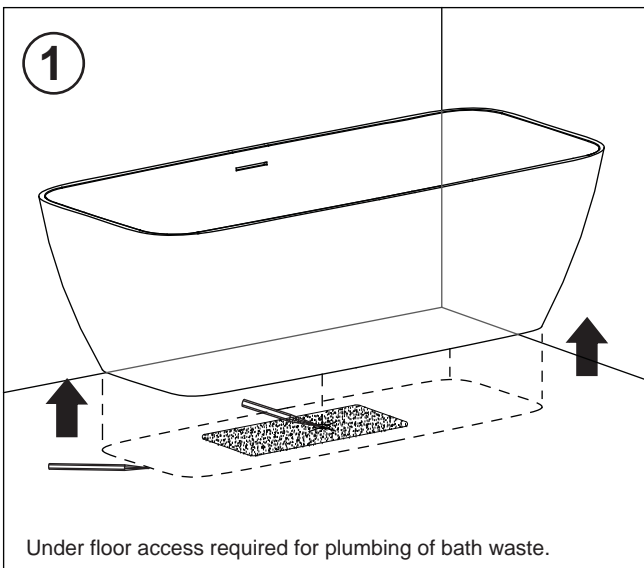
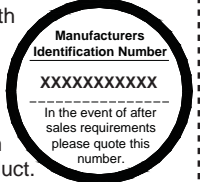
### Everyday cleaning

We recommend a non-abrasive bathroom cleaner.

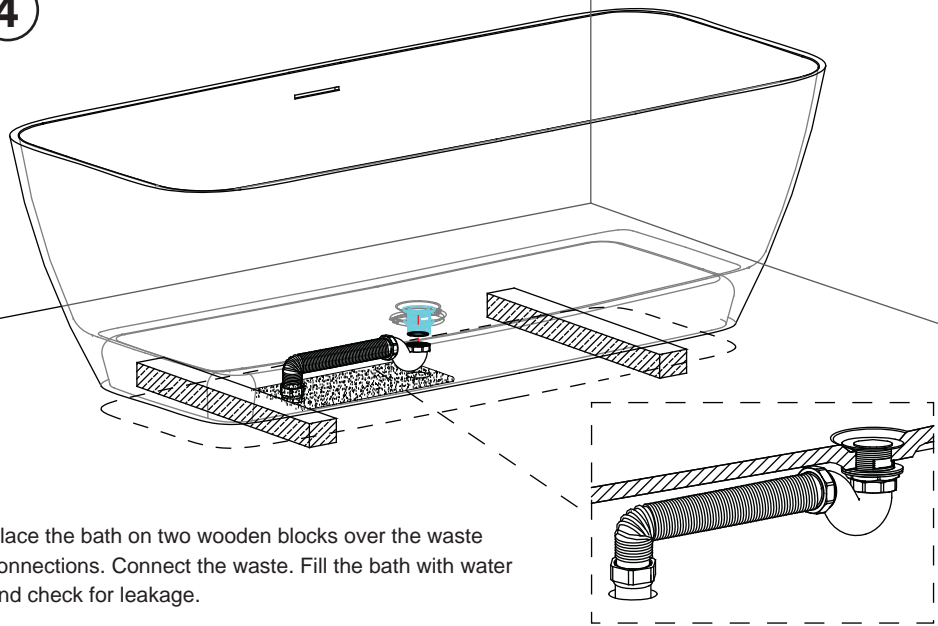
### Warning

Never use cleaners / bleach products specifically manufactured for WC bowl cleaning as they may damage your bath. In addition to these we strongly recommend that applying hair colouring is also not used over the bath as it may de-colour the natural stone.

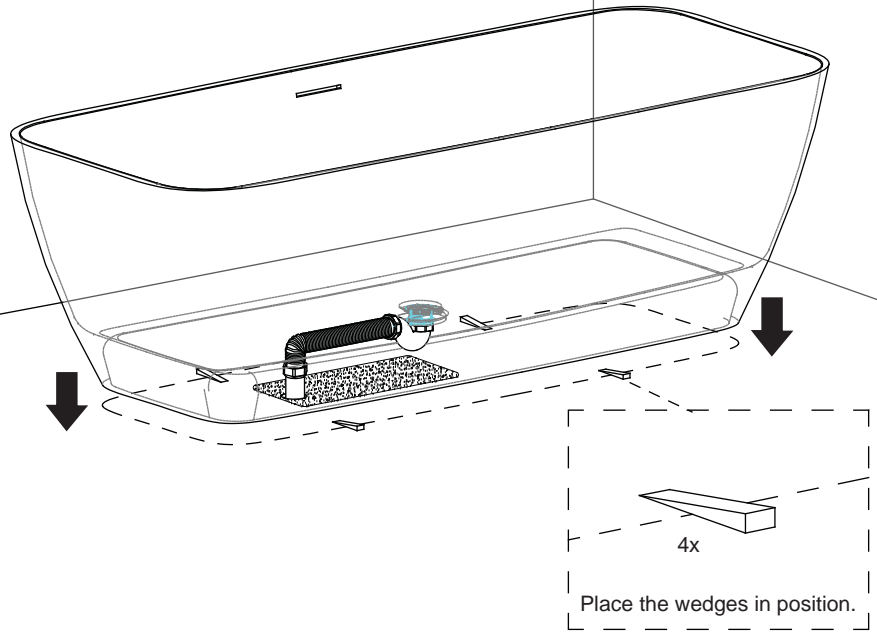
Please place your bath identification number here and keep this paperwork in a safe place as you will need this if a problem occurs with your product.



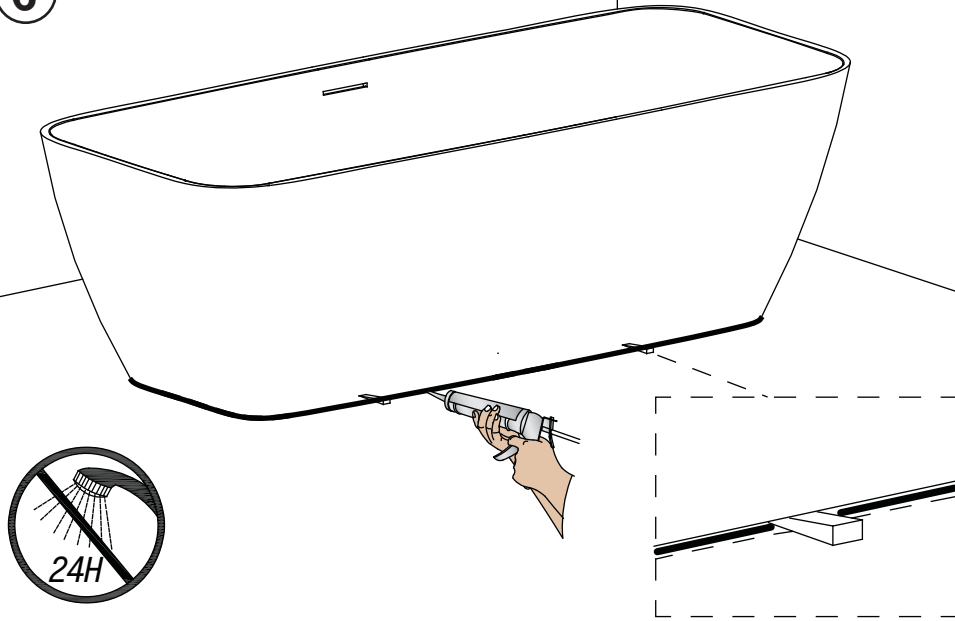
4



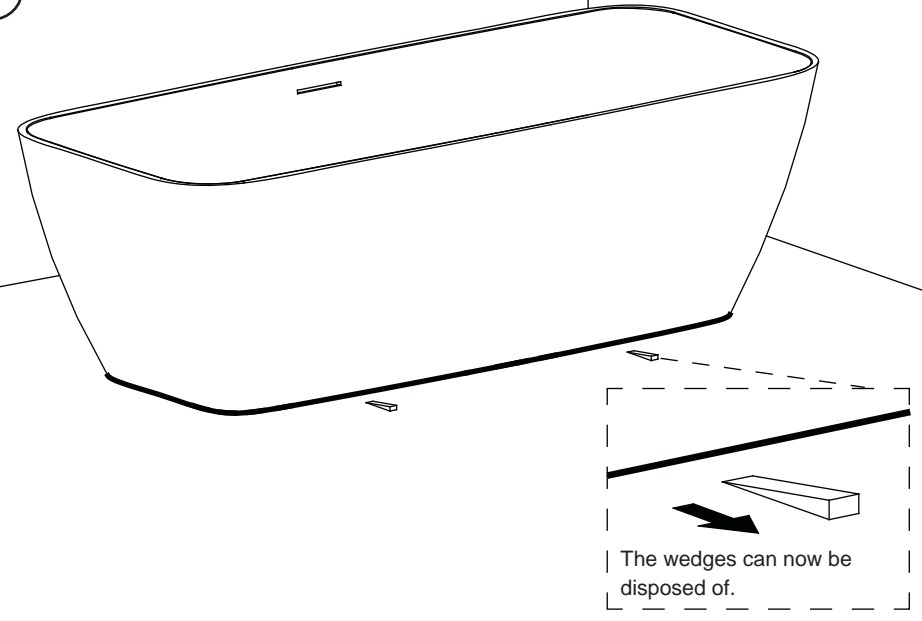
5



6



7



## **Natural Stone Authentication**

Congratulations on choosing a Natural Stone product.

Our products contain natural stone being a natural product there may be very slight variations in the finish in certain light conditions. This adds to the uniqueness of our products with each one having its own individual character a welcome rarity these days. Please use a mild abrasive cleaner such as Cif initially and on very rare occasions to restore the lustre of your product.

'The natural stone is porous like marble certain types of cleaners and bath oils may stain the natural stone and therefore is a characteristic of the material. Should you decide to use such products we strongly recommend the product is fully cleaned and rinsed after use as these types of stains are not covered within the manufacturer's warranty'.

For further information please visit the website for care maintenance of your special product.

[www.clearwaterbaths.com](http://www.clearwaterbaths.com)

[www.burlingtonbathrooms.com](http://www.burlingtonbathrooms.com)

## **Care & Repair**

Cosmetic repairs to your Natural Stone bath or basin

Should you be unfortunate enough to suffer cosmetic damage to your bath or basin during installation or accidentally at any time, these can usually be rectified quite easily by using a fine grade abrasive waterproof paper. Lightly rub the affected area by keeping the area treated to a minimum until the mark is removed, then polish a neutral car colour restorer or a household metal polish to restore the lustre.

Other marks on your bath or basin both internally or externally can generally be removed with a non abrasive bathroom cleaner or mild detergent. Should this not be the case then please revert to colour restorer or household metal polish.

## **Ongoing Care Of Your Bath Or Basin**

Use only non abrasive cleaners as abrasives over a period of time will remove the lustre from your bath or basin.

## **Warning**

Never use cleaners / bleach products specifically manufactured for WC bowl cleaning as they may damage your bath or basin. In addition to these we strongly recommend that applying hair colouring is also not used over the bath as it may de-colour the natural stone.