

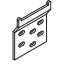





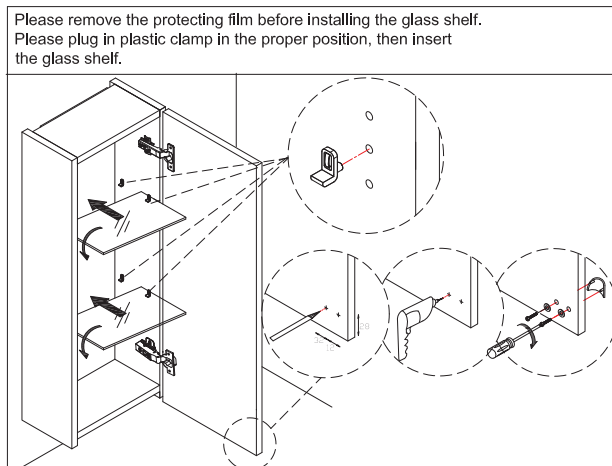
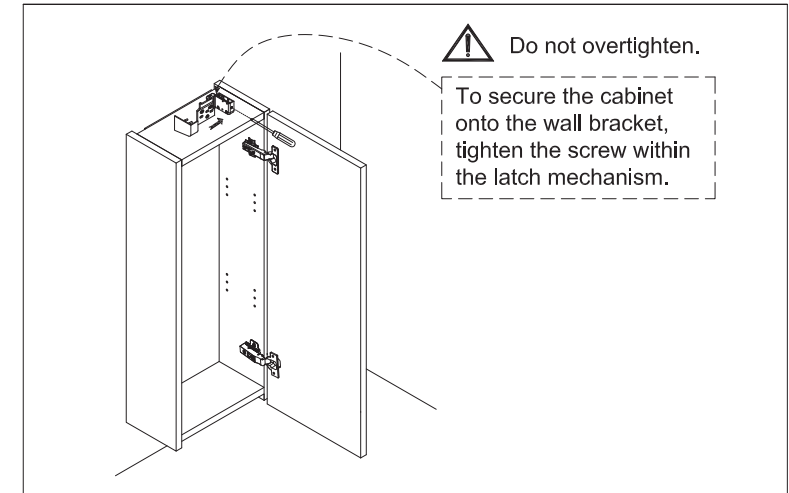
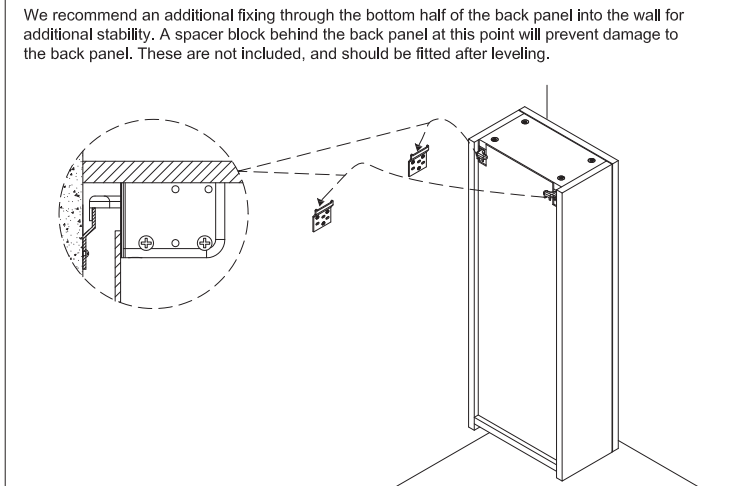
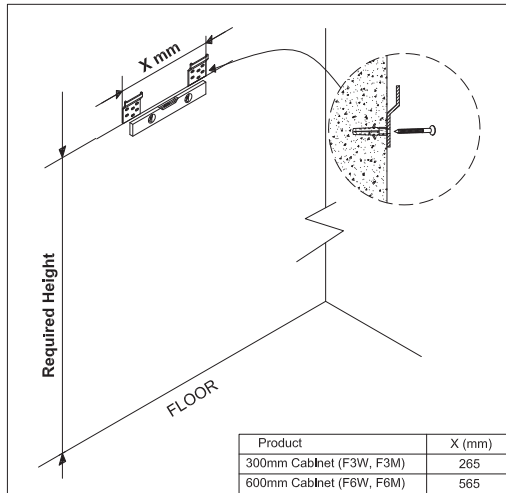


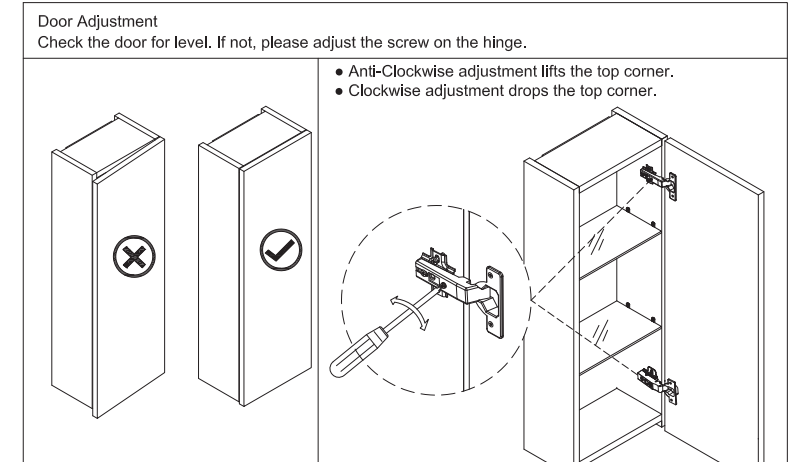
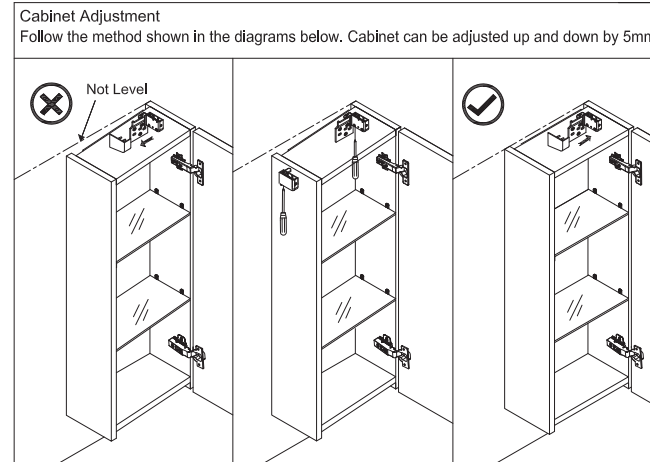
IMPORTANT: This unit must be securely fixed to a wall. Ensure that the top is horizontal before marking the wall for fixing. The wall fixings supplied may not be suitable for your installation. You may need to source alternatives depending on the material and strength of the wall you are fixing to. Buffers are supplied to stop the crash of the doors and drawers. These can be fitted if necessary. The handle installation holes are not pre-drilled on single door unit. Please refer to the template supplied with single door unit to drill the handle installation holes.

Parts Supplied:

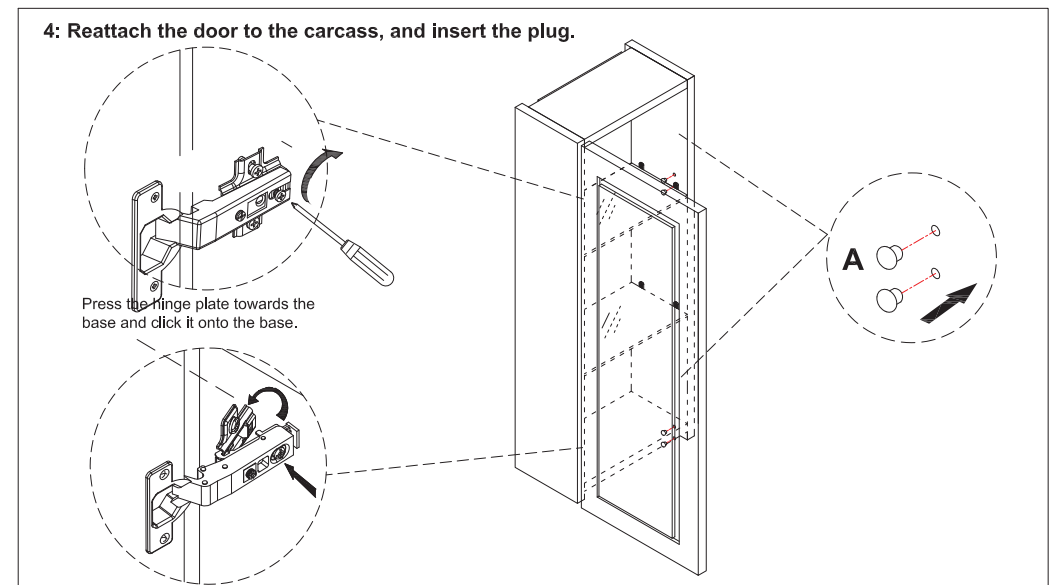
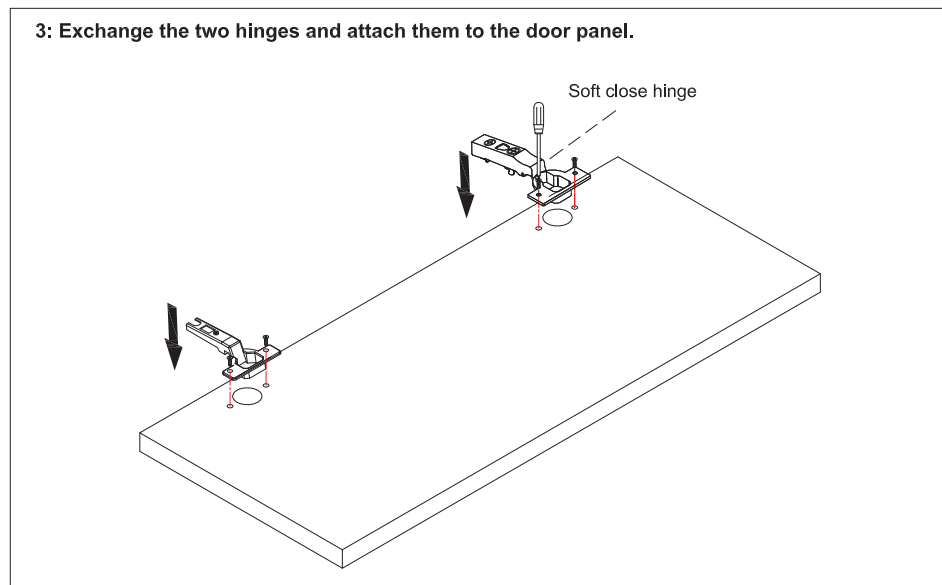
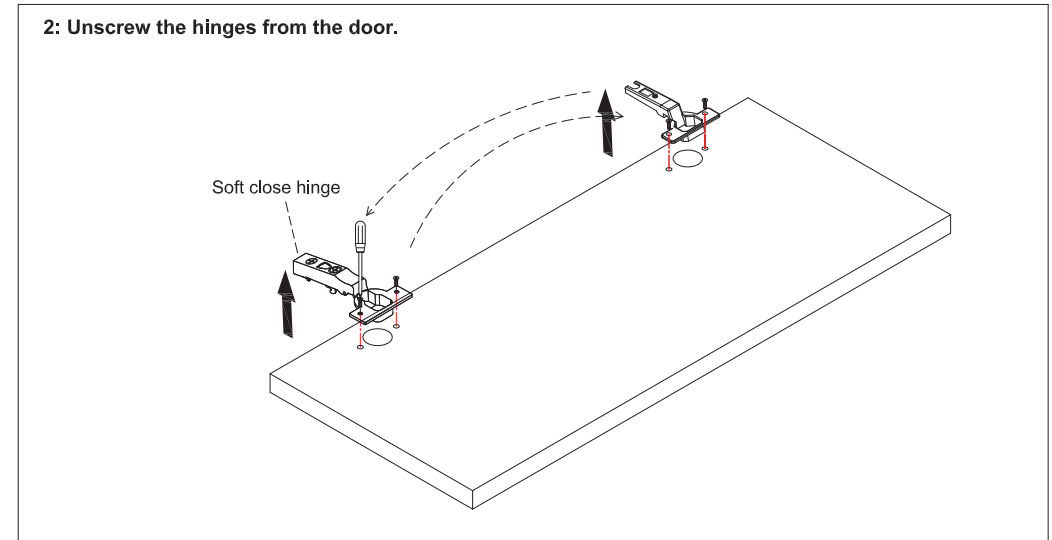
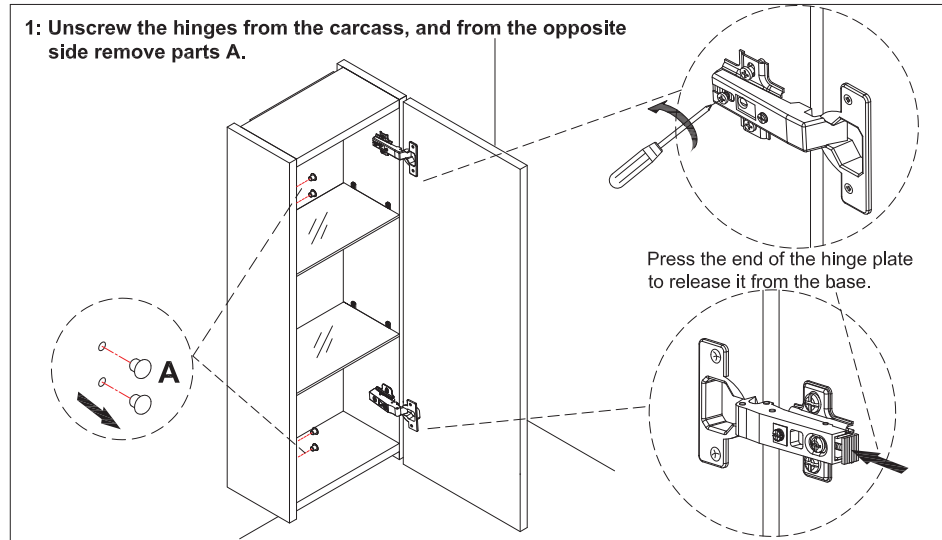
								
F3W/F3M	6	6	2	1	8	2	1	2
F6W/F6M	6	6	2	2	8	4	1	2



Only if adjustment is required !



Instructions for door reversal (for 300 Single Door Wall Unit - F3W & 300 Single Door Mirror Wall Unit - F3M)



Maintenance & Cleaning: The mirror edges are treated with a specially formulated sealant designed to protect the mirror edges from contaminants and discolouring. Failure to follow cleaning guidelines can/will remove the benefits of the sealant.

NEVER use products containing bleach, cleaners of a gritty or abrasive nature or so called "glass and mirror" cleaning products, that can be detrimental to the long lasting finish of the mirror.

ONLY use a clean dry or damp micro fibre cloth to clean the mirror and mirror frame.

**Please decide the location of the handles (left hand or right hand).
Then use the template supplied to drill the handle holes.
They should be countersunk holes as the below diagram.**

