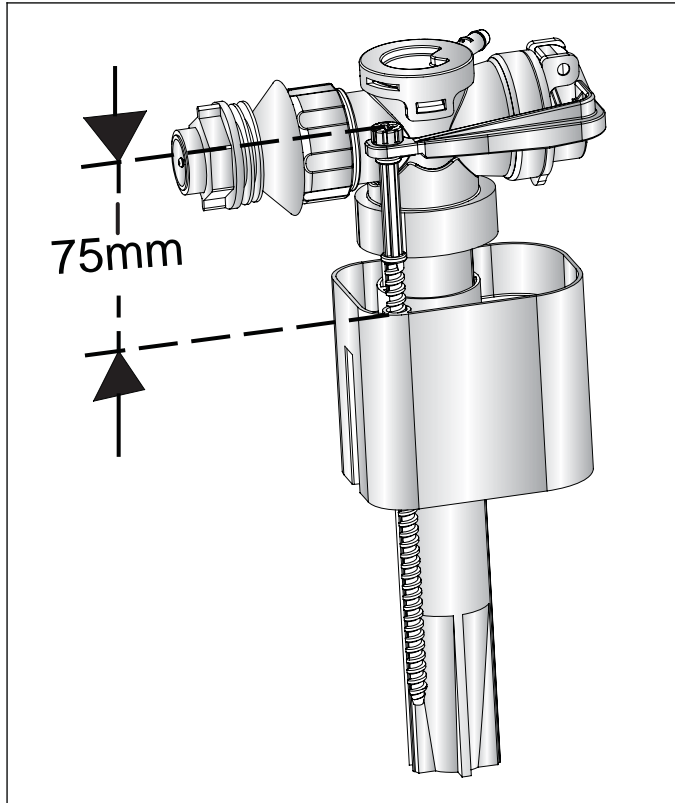


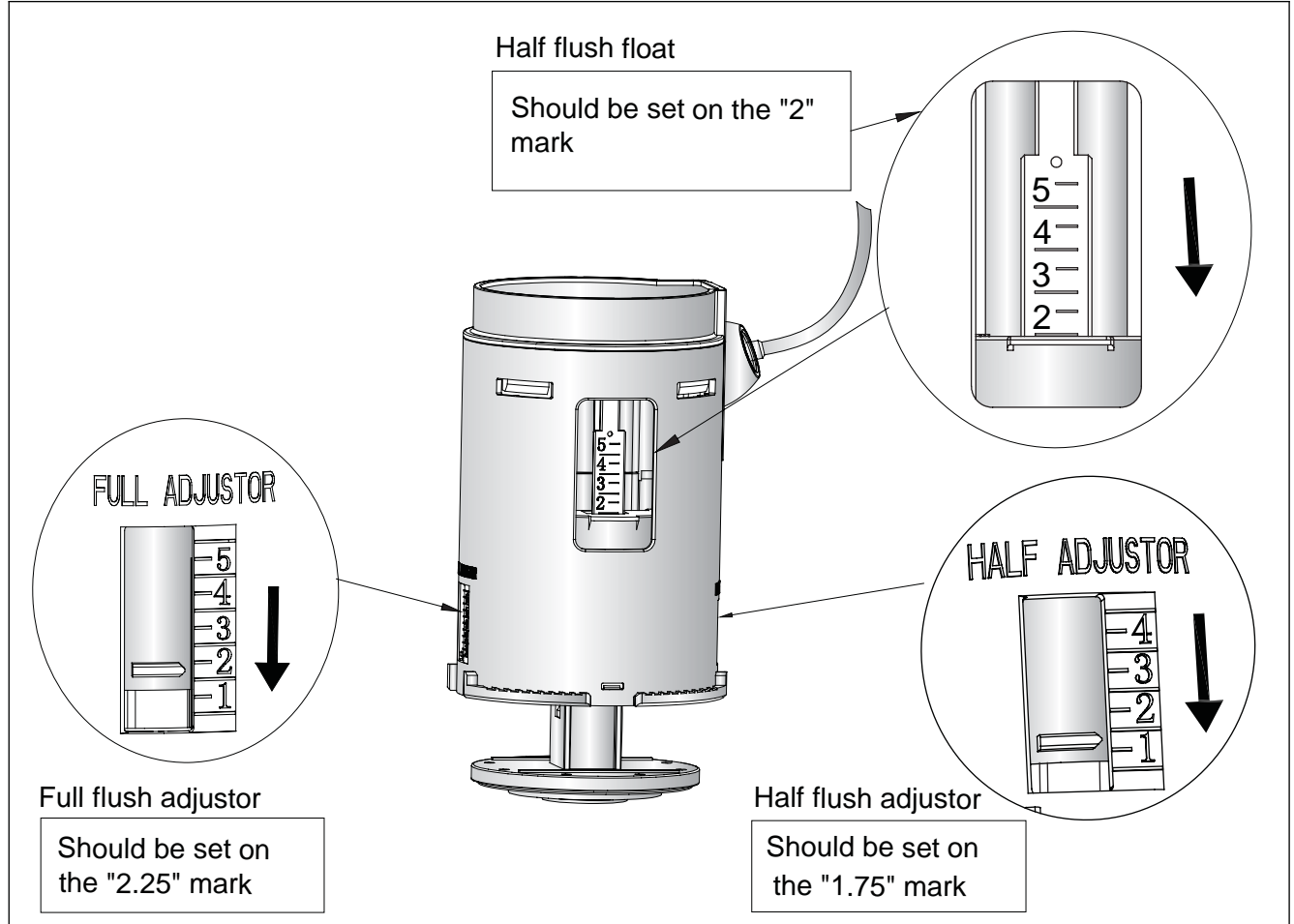
1: Inlet Valve



Note:

The Inlet Valve can be adjusted to suit the High Level Cistern - C5. The valve is preset for 6L full flush and 3L half flush. The above diagram indicates the correct setting for 4.5L full flush and 2.6L half flush. For adjustment method, please refer to the installation instruction supplied with the cistern fittings.

2: Flush Valve



Full flush adjustor

Should be set on the "2.25" mark

Half flush adjustor

Should be set on the "1.75" mark

Note:

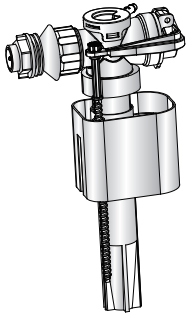
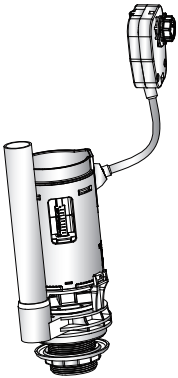
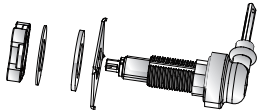





The Flush Valve can be adjusted to suit the High Level Cistern - C5. The valve is preset for 6L full flush and 3L half flush. The above diagram indicates the correct setting for 4.5L full flush and 2.6L half flush. For adjustment method, please refer to the installation instruction supplied with the cistern fittings.

All WC's come with a 3/6 litre flush as standard which can be reduced to a 2.5/4.5 litre flush for the slimline cisterns
On the High Level WC you must lightly pull the rod down for the 6 litre flush and lightly push the rod up for the 3 litre flush



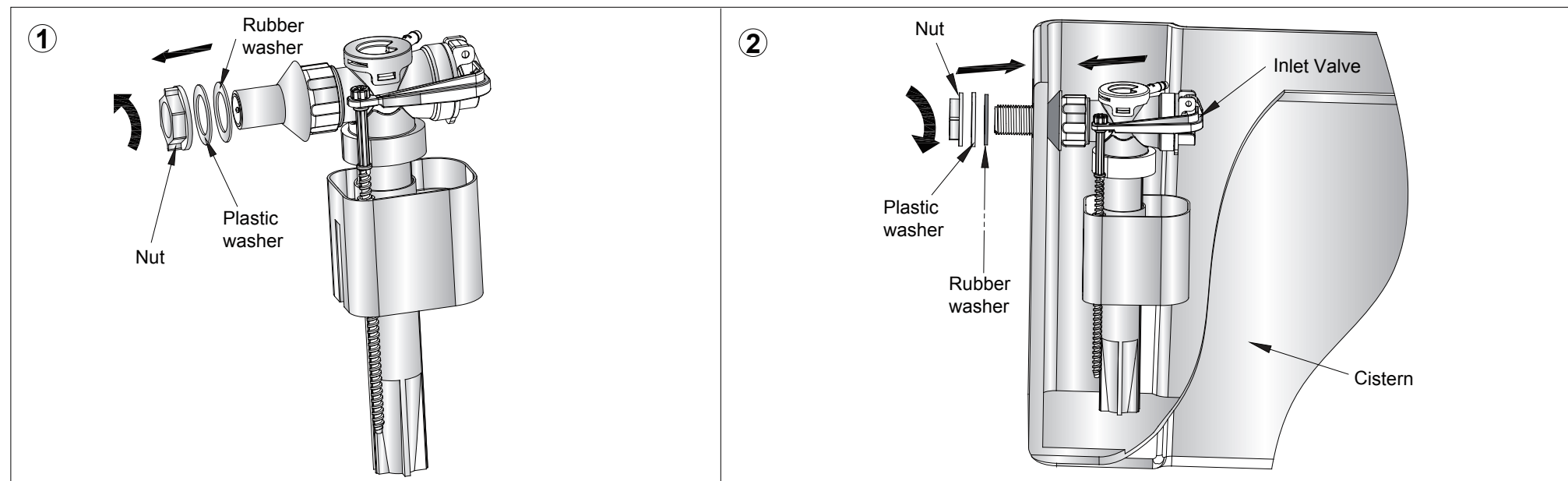
Please note that it is imperative that there are no loops or kinks in the yellow tube when installed and that the lever is not operated with excessive force as this will damage the cable inside the tube that lifts and lowers the flush valve causing the flush to fail beyond repair

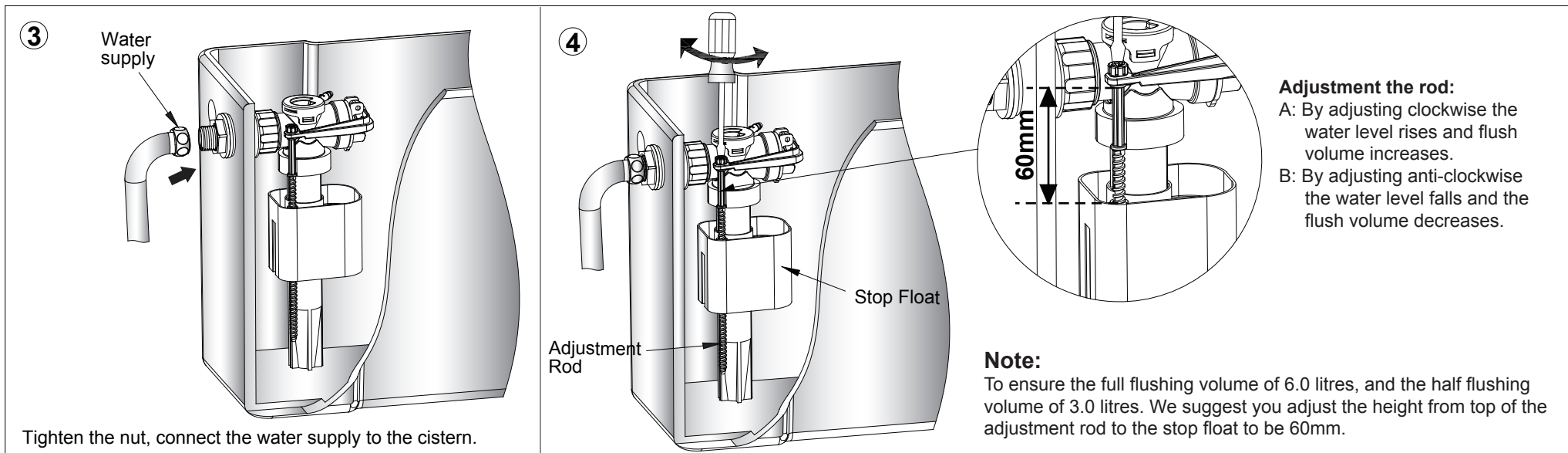
Parts supplied:

 <p>Inlet Valve 1x</p>	 <p>Flush Valve 1x</p>	 <p>Lever 1x</p>	 <p>Flush Cone 1x</p>
		 <p>Cover 1x</p>	 <p>Plastic Washer 1x</p>
			 <p>Cone Washer 1x</p>
			 <p>Fixing Nut 1x</p>

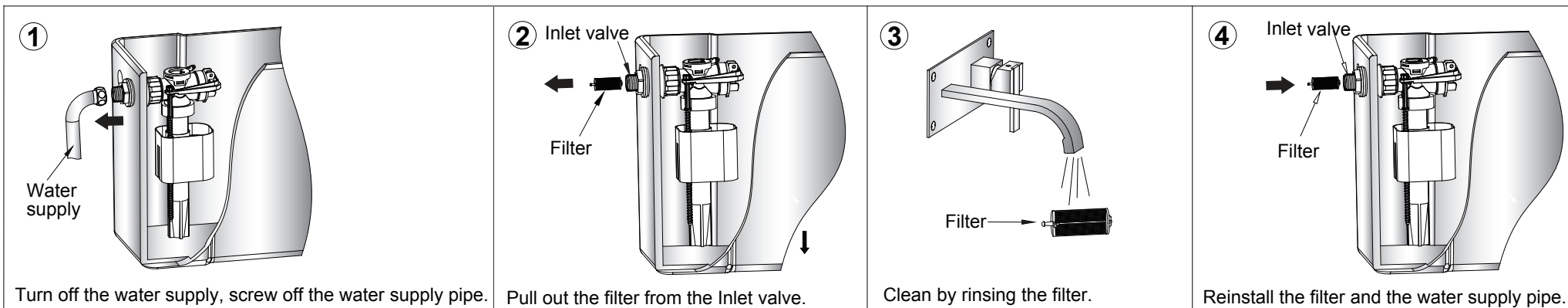
- Please read these instructions carefully to avoid damage to the valves, and to ensure correct installation.
- Do not use bleach or bleach based cleaning products in the cistern, as these will cause damage to the seals. We cannot be held responsible or liable for any failure which results from the use of bleach based products.
- Water temperature range +2C to +45C.
- Water pressure 0.2 to 8 bar.

1: Inlet Valve installation and adjustment settings





2: Filter cleaning (Please clean periodically)



3: Inlet Valve trouble shooting

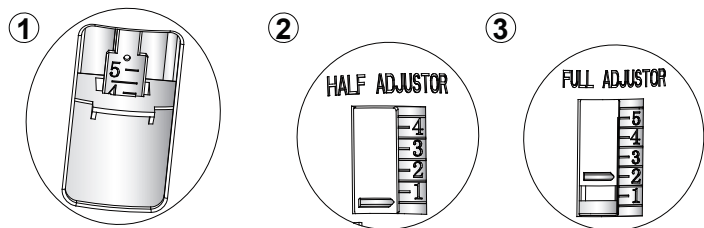
Problem	Reason	Solution
Incorrect water level	Incorrect adjustment.	Adjust the Water level correctly as per diagram above.
Inlet Valve does not work	Water supply is closed.	Open the water supply
	The filter is blocked.	Clean the filter.
	The Stop Float has been over adjusted beyond its operational range.	Adjust the adjustment rod.
Leakage	The Inlet Valve fixing nut has not been tightened.	Tighten the nut.

Flush Valve Installation And Problem Solving

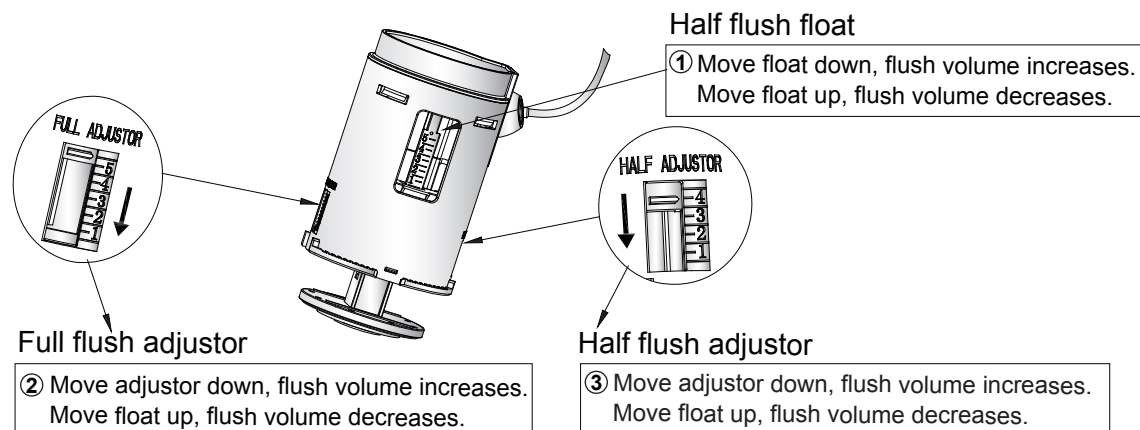
1: Flush Valve scale and adjustment setting

Note: The Flush Valve could be adjusted to reach a full flushing volume of 6.0 litres, and a half flushing volume of 3.0 litres. Please see below diagram A for the recommended settings and adjust method for the flush valve.

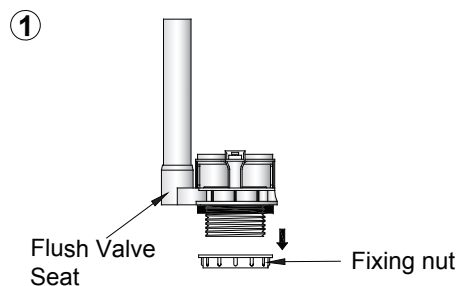
A



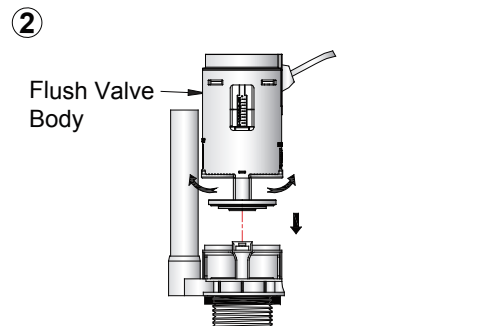
- ① Half Flush Float : should be set on the 4.5 mark
- ② Half Flush Adjustor : should be set at '1' mark
- ③ Full Flush Adjustor : should be set on the '2.5' mark



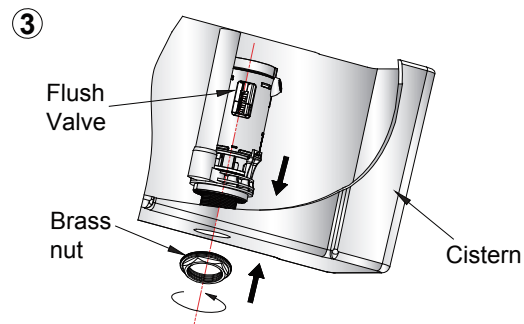
2: Flush Valve installation



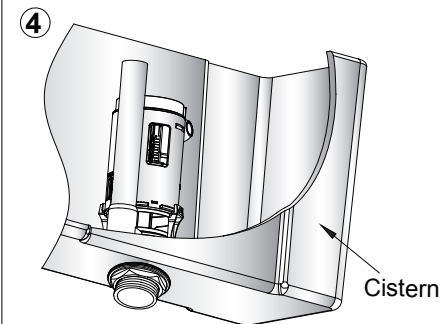
Screw off the fixing nut and discard.



Fix the flush valve body onto the flush valve seat.



⚠ Use the brass nut from High Level Flush Pipe Kit to fix the Flush Valve onto the cistern.



3: Flush Valve trouble shooting

Problem	Reason	Solution
Leakage	1. Incorrect installation. 2. Flush valve seat does not fit flush valve body. 3. Flush valve body is stuck.	1. Install again according to the correct installation procedure. 2. Install again. 3. Disconnect and wash flush valve body.
No flush, low flush or half flush volume	Cable is distorted.	Remove kinks or sharp bends in the cable.
Half flush water level is too high or too low.	Water level is adjusted incorrectly.	Adjust water level.

Flush Lever Installation

1: Install Flush Lever Onto Cistern

Flush Lever Box, Fixing Nut, Nut, Anti-rotation Washer, Lever Washer

Pull

Plastic Washer, Rubber Washer, Washer

Cistern Lever Hole, Slot In The Thread, B Direction

Cistern

* The fixing nut should be tightened as much as possible to avoid the cistern lever working loose during operation.

2: Install Lever To Flush Lever box

1

Insert the box and tighten the nut.

* Make sure the cable is not distorted or kinked.

2

* Raise the lever so that it fits into the flush box in the correct position.

* The inlet valve can be installed on either side of the cistern, and a cap is supplied to cover the spare inlet hole.