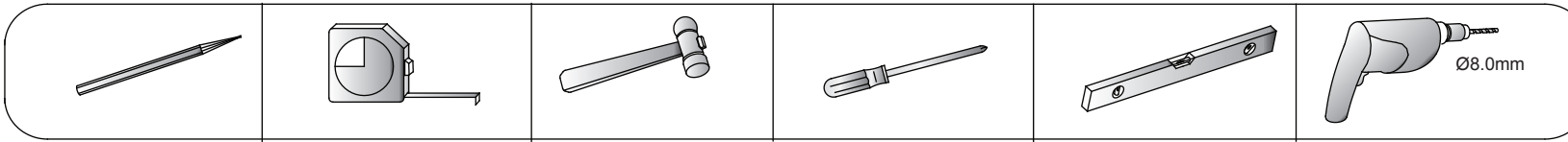
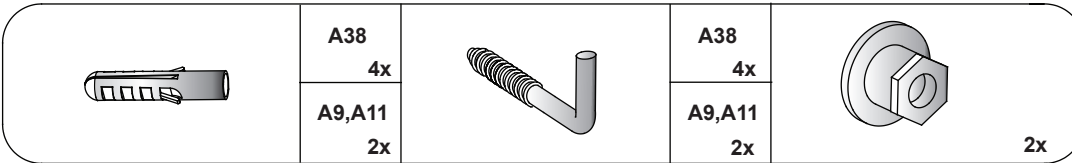


Arched mirror 20x 28" Stainless US-A9V
 Arched mirror 50cm wide x 70cm high A9
 Arched mirror 20x28" Polished nickel US-A9N
 Rectangle mirror 50cm wide x 70cm high A11
 Rectangle mirror 20 x 28" Polished nickel US-A11N
 Rectangle mirror 20 x 28" Stainless US-A11V
 Curved Mirror 70cm wide x 70cm high A38

Tools required:



Parts supplied:

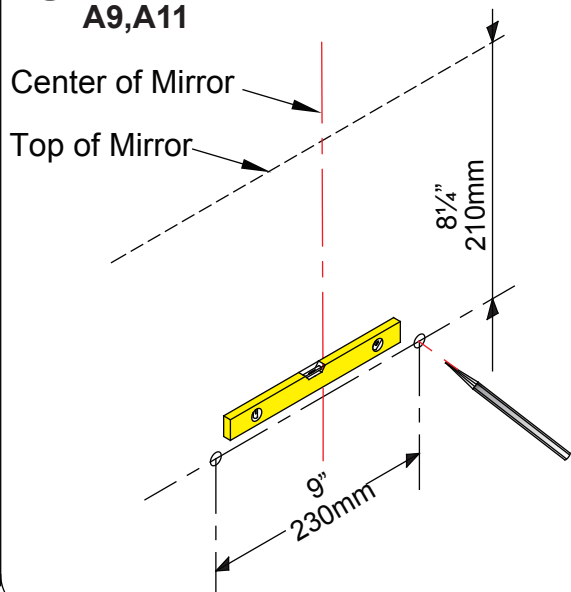


Maintenance & Cleaning

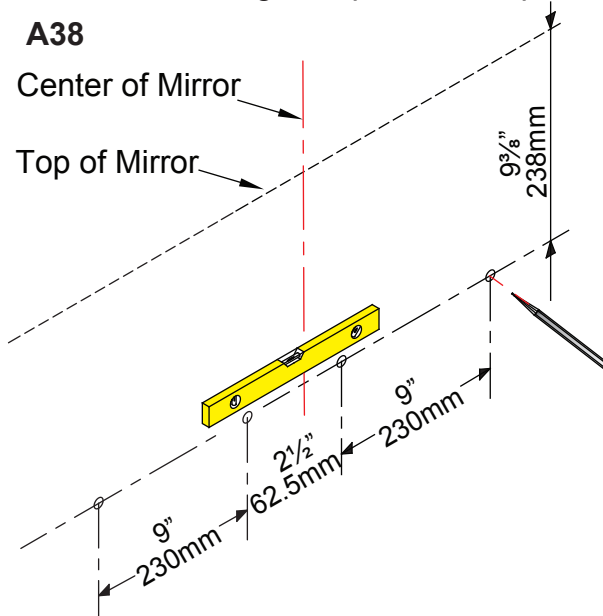
The mirror edges are treated with a specially formulated sealant designed to protect the mirror edges from contaminants and discolouring. Failure to follow cleaning guidelines can/will remove the benefits of the sealant. NEVER use products containing bleach, cleaners of a gritty or abrasive nature or so called "glass and mirror" cleaning products, that can be detrimental to the long lasting finish of the mirror. ONLY use a clean dry or damp micro fibre cloth to clean the mirror and mirror frame.

1 Determine the final installation position, mark the fixing hole positions in pencil.

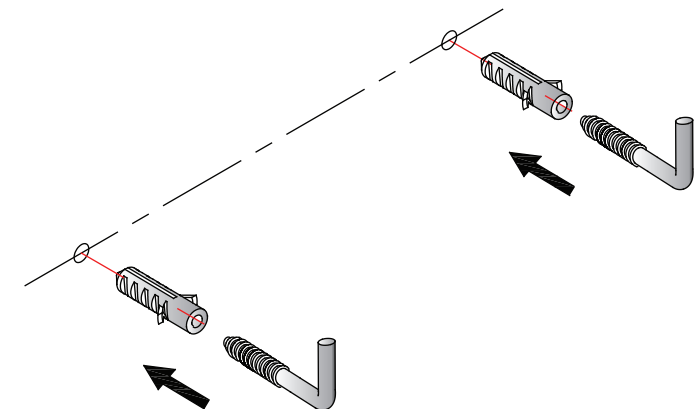
A9,A11



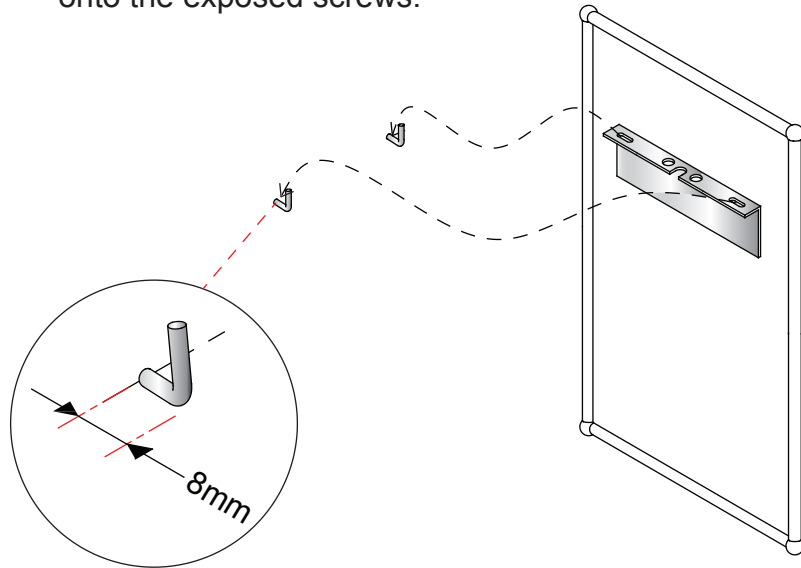
A38



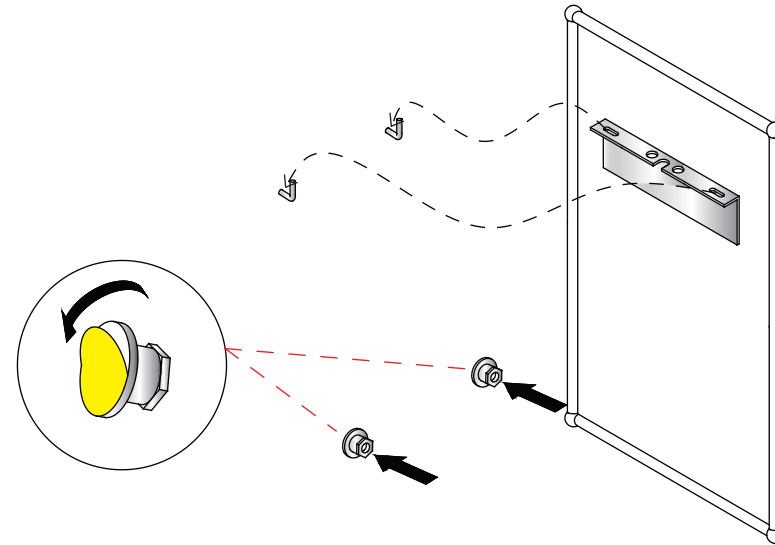
2 Using a 8mm drill bit, drill holes on the marked positions. (note: In the event that the wall / floor fixings supplied being inappropriate for the wall / floor, please source alternatives).



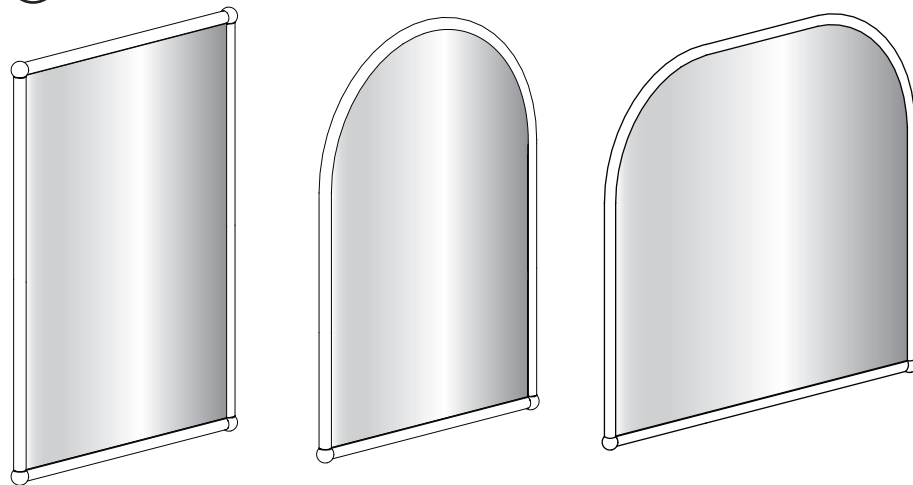
- ③ Keep the stainless screw exposed 8mm outside the wall. Mount the mirror onto the wall by hanging the bracket of mirror onto the exposed screws.



- ④ Check if it is stable. If not please readjust the exposed length of screws and use the washers supplied if needed.



⑤



A11

A9

A38

For further information contact;

US:

Crosswater London, 393 Fortune Blvd., Milford, MA 01757
 Toll free number: 844-XWATER-1 (844-992-8371)
 Tel: 508-381-0433 fax: 508-381-6068
 Email: technical@crosswater-bathrooms.com
 Web: www.crosswater-bathrooms.com

UK:

Bathroom Brands, Lake View House, Rennie Drive, Dartford,
 Kent, DA1 5FU
 Tel: 01322 473222
 E-mail: Customerservice@bathroombrands.com
 Web: www.bathroombrands.com