

# Connect Air 60cm Wall Hung Cube Basin Unit

## ILLUSTRATED

- R0472** Connect Air 60cm wall hung cube basin unit with 1 drawer
- E0298** Connect Air Cube 60cm washbasin, 1 taphole with overflow
- BC185** Ceraline single lever mini basin mixer, no waste
- E1482** 1 1/4" basin clicker waste: slotted
- EE230339** Space saving trap and waste pipe assembly for use with furniture basin units

## ILLUSTRATED PRODUCT DETAILS

### Sizes

**E0298** w:600 x d:460

### Weights

**R0472** 17.80 KG

**E0298** 14.50 KG

**BC185** 1.06 KG

**EE23033** 0.10 KG

**9**

### Materials

**R0472** Lacquered MDF

**E0298** Fine Fireclay

**BC185** Chrome Plated Brass

**E1482** Chrome Plated Metal

**EE23033** Plastic

**9**


### Finishes

**R0472**  Silk Black & Wood (NE)

**E0298**  Silk Black (V3)

**BC185**  Chrome (AA)

**E1482**  Chrome (AA)

**EE23033**  Neutral / No Finish (67)

### Capacity

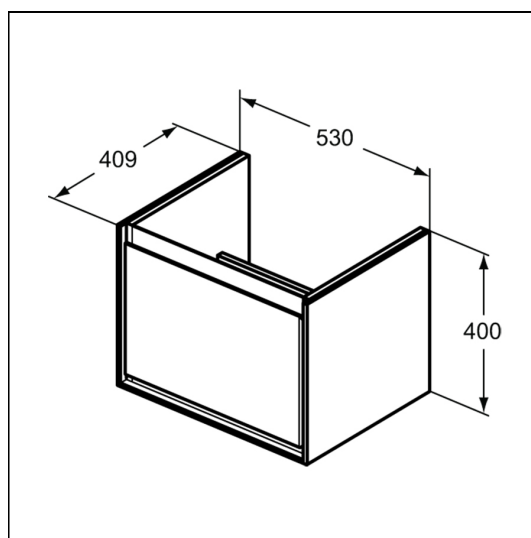
**E0298** 6.2 litres

### Flow rates

**BC185** 5 Litres per minute @ 3 bar pressure

### Designer

Robin Levien, RDI



## FINISH OPTIONS



(AA) Chrome



(XG) Silk Black



(A2) Brushed Gold



(A5) Magnetic Grey



(GN) Silver Storm

### Standards

EN 14749:2005