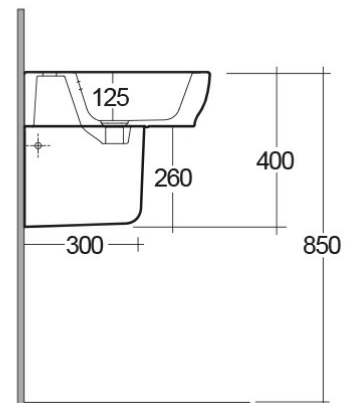
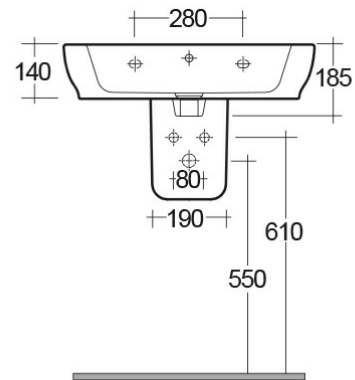
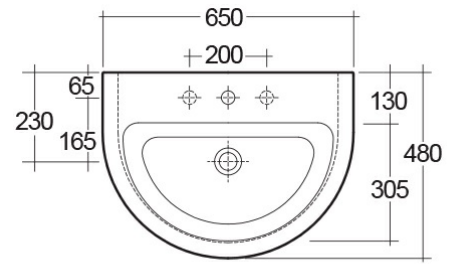


RAK-MOON

Wash basin | Half Pedestal

RAK
CERAMICS



Technical specifications

Dimensions: 650 x 480 mm

Weight: 24 Kg

Color: Alpine White

Shape of basin: Oval

Overflow hole: yes

Suites: [RAK-MOON](#)

Code	Name
HAR0103AWHA	MOON HALF PEDESTAL
HAR101AWHA	MOON WASH BASIN 65CM

Dimensions: All measurements are in millimeters and are subject to normal manufacturing variations.
Note: Due to a continuing development programme to improve design and performance, the manufacturer reserves all rights to vary specifications without prior information.
Please note accessories are for photographic use only.