



(Fig. 1)

### This product is suitable for installation in zones: 2 & Outside Zone

All installations must comply with guidelines which are based on a zonal concept. The diagram above illustrates this concept and must be followed to ensure the safe installation of electrical appliances in the bathroom. These regulations apply to domestic installations only. Installations must be made in accordance with the current IEE wiring regulations and relevant building regulations. **HiB recommends that all electrical bathroom products should only be fitted by a suitably qualified, Part P registered electrician.**

#### Installation

**Before installation, ensure the domestic electrical mains supply to which the cabinet is to be connected is turned off. Before drilling, ensure that there are no hidden cables or pipes in the wall. It is strongly recommended that the fitting of this product is conducted by two people.**

1. Before commencing installation, remove the door(s) from the carcass. This is done by gently pulling at the tab at the back of each hinge, as per Fig. A. Carefully move the door away from the cabinet while gently extracting the wire. Disconnect the cable connector and place the cabinet door(s) carefully onto a soft surface where they will not get damaged during installation.
2. Position the cabinet in a suitable location (according to the zonal diagram (Fig. 1) above) ensuring that the mains supply cable is within reach of the cable connection point of the cabinet. Carefully mark the desired position of the cabinet using a soft pencil, ensuring it is level.
3. Remove the cabinet from the wall and using a spirit level, mark a horizontal line below the pencil mark, taking into account the location of the mounting points (Fig. B). Place brackets on the line paying attention to the distance between the hangers on the cabinet. Carefully mark the position

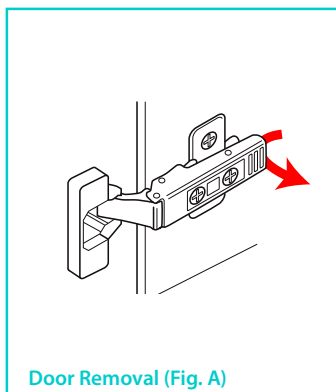
Thank you for purchasing this HiB product.

Please read through these instructions carefully and refer back to them during installation to ensure that your product is fitted safely and that it retains its high quality finish.

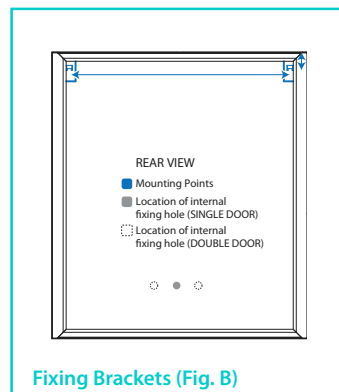
Please retain this leaflet for future reference.

of the holes using a soft pencil. (Fig. C).

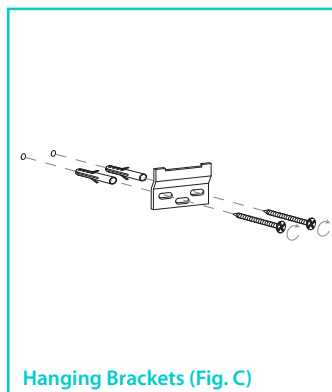
4. Before drilling, ensure there are no hidden cables or pipes behind the mounting point. Using a suitable drill bit, drill holes in the marked positions to a suitable depth.
5. Insert wall plugs level with the surface of the wall. If fitting to a tiled surface, wall plugs should be inserted below the tile surface to avoid cracking. **NB. For plasterboard walls, specialist fixings should be purchased from any DIY or hardware store.**
6. Fix the brackets to the wall using the screws provided.
7. Carefully remove the small screws along the top front edge of the cabinet to gain access to the internal panel(s) (Fig. D) Keep screws in a safe place.
8. Temporarily hang the cabinet ensuring the claws on the hangers are securely located on the wall brackets. Using a spirit level adjust the cabinet via the screws on the hangers (Fig. D).
9. Mark the position of the internal fixing hole and remove the cabinet. Using a suitable drill bit, drill a hole and insert a wall plug as per stage 4.
10. Connect the cable at the rear of the cabinet to the mains supply cable using a suitable terminal block (not supplied) according to the wiring diagram (Fig. 2) on the back page.
11. Rehang the cabinet in position, tighten the screws on the hangers (Fig. D) and secure the base of the cabinet with the supplied screw(s) and screw cap(s).
12. Insert the supplied shelf brackets into the appropriate holes on the inside of the cabinet, depending on what height each shelf is required. Slide each shelf into position and secure in place by tightening the small plastic grub screw on the underside of each shelf bracket.
13. With help from a second person, offer the door up to the cabinet and carefully connect the cable connector - take care to connect the wires in the correct orientation. Once connected, carefully slide any excess wiring and the connectors inside the carcass and reconnect the hinges. Hinges are reconnected by clipping the front of the hinge in and then applying pressure on the back of the hinge until an audible 'click' is heard.
14. Switch the mains supply back on.



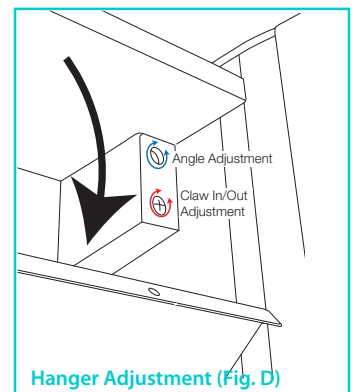
Door Removal (Fig. A)



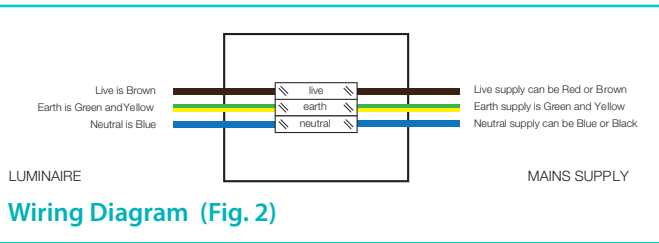
Fixing Brackets (Fig. B)



Hanging Brackets (Fig. C)



Hanger Adjustment (Fig. D)



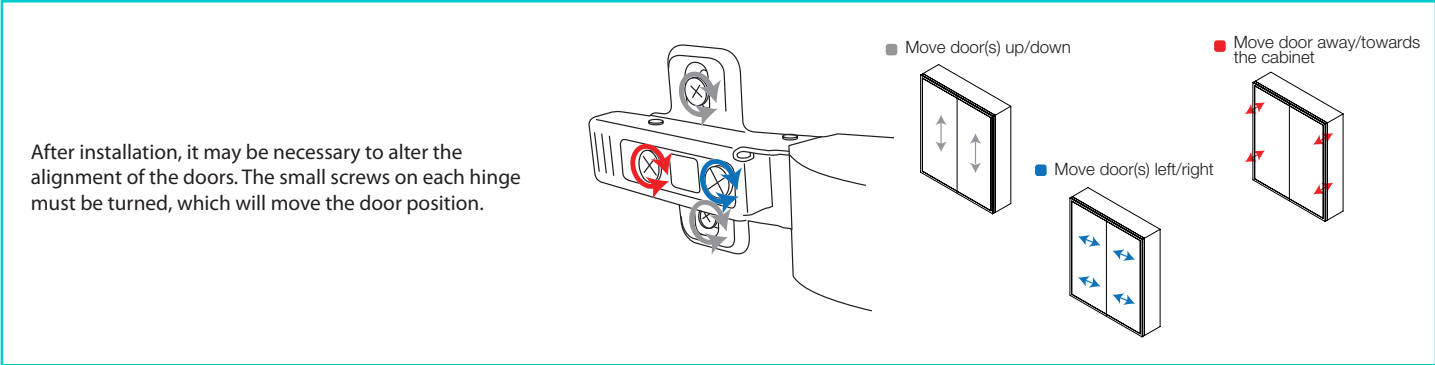
### Care Instructions

To preserve the high quality finish of your HiB product, please ensure you regard the following care and cleaning recommendations:

Do not use abrasives or solvents when cleaning this product.

Wipe off all water spillages as soon as possible using a soft cloth.

In the unlikely event that this product should fail please contact HiB customer services, contact detail shown below.



### Operating Instructions

To turn illumination on, touch the sensor once (Fig. E).

To change the colour temperature, touch and hold the sensor until desired colour is obtained. The colour temp is then fixed until changed again.

The heated Pad is only on when the cabinet is illuminated.

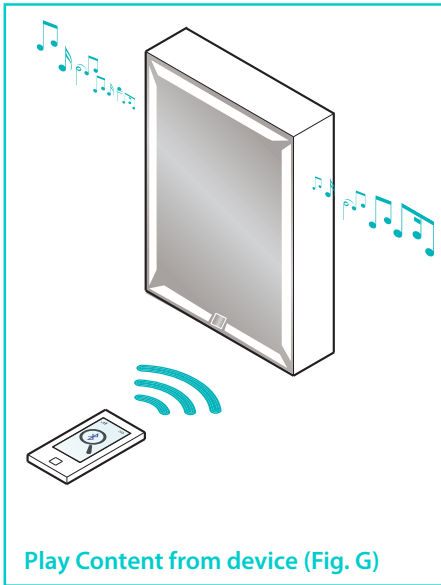
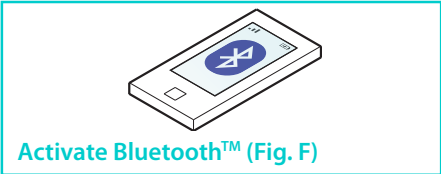
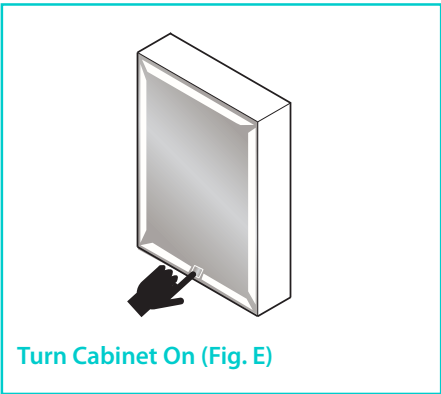
### Charging Socket(s)

Charger socket(s) are suitable for charging and powering electric razors, trimmers and toothbrushes. Some cabinets may contain multiple charging sockets. *NB. On first use of the charger socket, inserting the plug may prove to be stiff. Reasonable force may be required to fully insert the plug. After a few uses, stiffness will ease and the socket will function as normal.*

### Pairing Device To the Cabinet

- To activate the Bluetooth™, turn on cabinet by the touch sensor located on the front of the cabinet (see figure E). The cabinet will give out a tone to confirm it is ready for pairing.
- Activate the Bluetooth™ on your device\* (see figure F). Refer to the device's instructions for details.
- Search for "HiB001". If prompted for a connection code, use "0000". The cabinet will give out a tone to confirm successful connection.
- You can now play music or other media through the Bluetooth™ cabinet (see fig. G).
- When the cabinet is turned off the connection to the Bluetooth™ will be lost. When the cabinet is turned on again it will automatically reconnect to the last connected device if it is still within range.
- Refer to your device manual for operating controls.
- Music will stop playing when a phone call comes into the Bluetooth™ device, and will automatically reconnect when finished.

\*Only compatible Smart Phones & Bluetooth™ Devices.



### Trouble Shooting Guide

Symptoms	Possible Problem	Solution
Device not paired	Bluetooth™ not activated	Check Bluetooth™ is activated on compatible device & cabinets turned on
Device not connecting	Only one device can be connected to the cabinet at any one time	Disconnect all devices and reconnect only one device
No volume	Volume is controlled from device	Increase volume on device
No connection	Out of range	Range is within 8 metres, move device closer to cabinet

