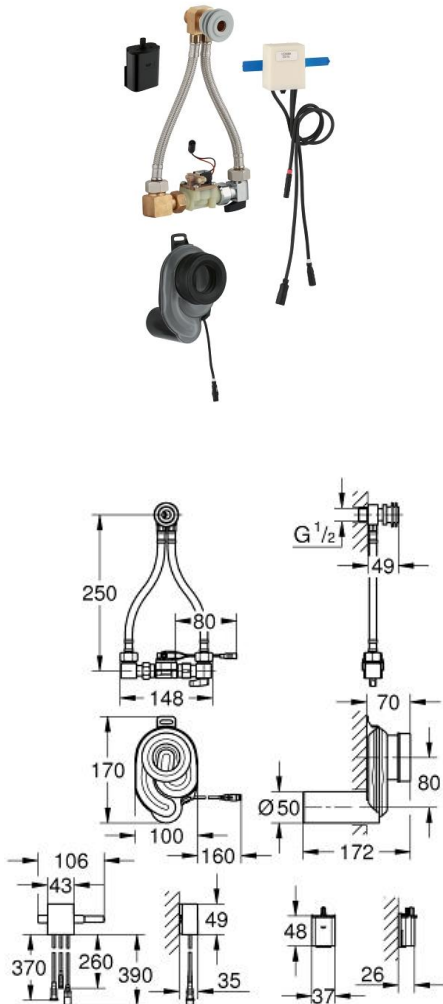


Temperature sensor for urinal

MODEL # 39367000

Pure Freude
an Wasser

GROHE



Product Description:

Temperature sensor for urinal

Standard Specification:

6V lithium-battery, type CR-P2
with water connection set and stop valve
Waste trap with temperature sensor
cartridge with solenoid valve and dirt strainer
flow pressure min 0.5 bar
operating pressure max 10 bar
7 pre-set programs
auto flush
cleaning mode
pre-flush on/off
CE approved
only for certain urinal ceramics, check online TPI

Color:

□ 39367000

