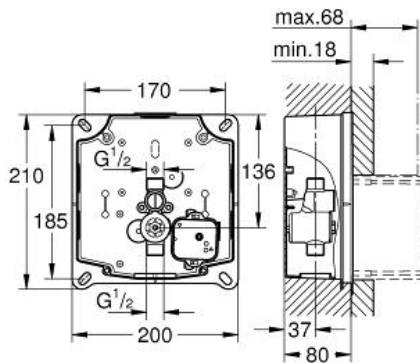


GROHE Rapido U

MODEL # 37338000

Pure Freude
an Wasser

GROHE



Product Description:

GROHE Rapido U

Standard Specification:

roughing-in set for urinal
**for manual actuation or Tectron
infra-red electronic 6 V or 230 V**
with stop valve
flow pressure min 0.5 bar
operating pressure max 10 bar
flush aid
functional unit checked ex factory
water supply connections 1/2" outer thread
connecting box for mains supply
installation box with gasket
fixing points for dry cladding and masonry-in
inspection shaft incl. protection

Color:

□ 37338000

