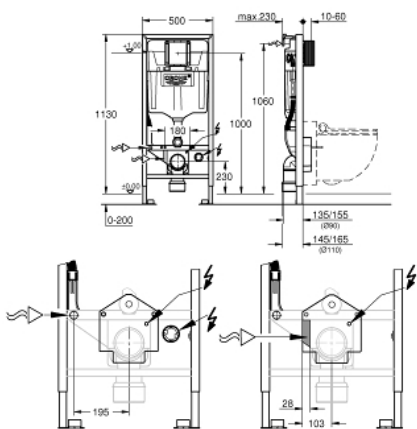


# Rapid SL for GROHE Sensia® IGS & Arena shower WC

MODEL # 39112001

Pure Freude  
an Wasser

GROHE



## Product Description:

### Rapid SL for GROHE Sensia® IGS & Arena shower WC

#### Standard Specification:

flushing cistern GD 2 with connections for GROHE Sensia shower toilets (GROHE Sensia IGS/GROHE Sensia Arena)

#### 1.13 m finished installation height

for on-the-wall installations or studded walls

#### Includes

Frame/cistern for wall hung pan

Wall brackets for on-the-wall installation (38 558 00M)

Fixing bolts for wc and floor

#### Details:

200mm height adjustment, lockable when at required height

distance of fixing bolts 180/230 mm

PP outlet bend Ø 90 mm

depth adjustable

reducer Ø 90/110 mm

Insulated against condensation

flushing cistern GD 2, 6 - 3 l

water supply required from the back

inspection shaft for vertical or horizontal use

allows for flush plate to be installed vertically or horizontally.

universal water connection for shower toilets Sensia Arena and Sensia IGS

concealed socket for mains supply

positioning help for electrical connection

for mounting of small flush plates please order

revision shaft 40 911 000 (sold separately)

#### Color:

□ 39112001

