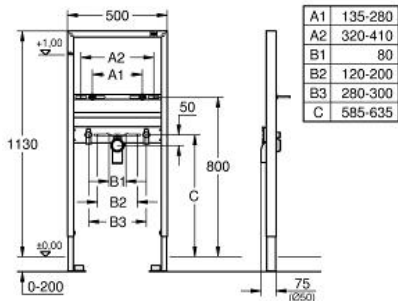


Rapid SL for basin

MODEL # 38554001

Pure Freude
an Wasser

GROHE



Product Description:

Rapid SL for basin

Standard Specification:

for single hole installation

1.13 m finished installation height

for on-the-wall installations or studded walls

Includes

wash basin fixing bolts with

fixing device for ceramic

variable distance of fixing bolts

PE-outlet bend 50 mm dia

seal Ø 32 mm

2 noise protected fitting connections 1/2"

wall brackets 38 558 00M (pair) not included and

must be ordered separately

Color:

□ 38554001