

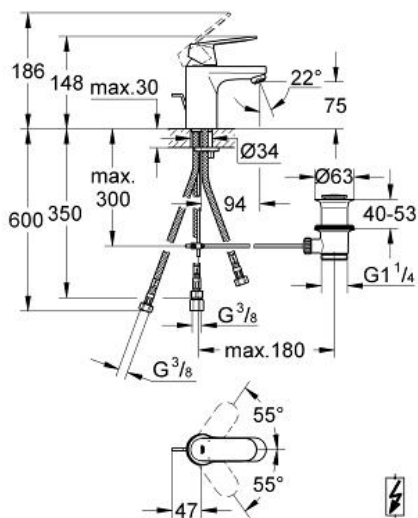
EUROSMART COSMOPOLITAN

Basin mixer 1/2" S-Size

MODEL # 32955000

Pure Freude
an Wasser

GROHE



Product Description:
EUROSMART COSMOPOLITAN
Basin mixer 1/2"
S-Size

Standard Specification:
monobloc installation
metal lever
GROHE SilkMove 35 mm ceramic cartridge
adjustable flow rate limiter
adjustable minimum flow rate 2.5 l/min
GROHE StarLight chrome finish
GROHE QuickFix installation system
with centering support
flow straightener
pop-up waste set 1 1/4"
flexible connection hoses
for use with displacement water heater
optional temperature limiter (46 375 000)
noise classification 1 in accordance
with DIN4109

Color:
□ 32955000 Chrome

