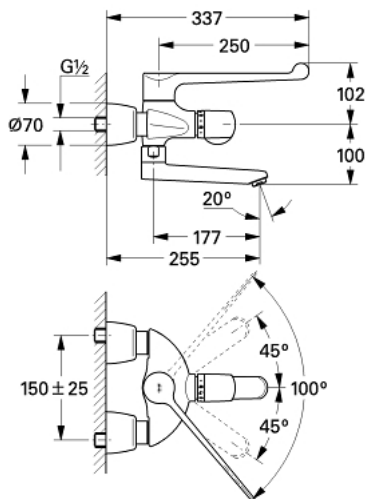


## 34 020 000 GROHTHERM ERGOMIX THERMOSTAT BASIN MIXER 1/2"

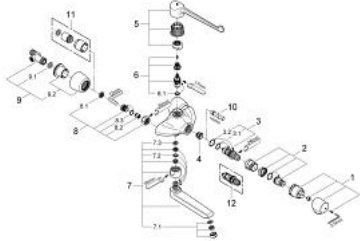


### PRODUCT DESCRIPTION

- for elbow lever actuation
- wall mounted
- metal lever 250 mm
- swivel area 100°
- metal stop
- ceramic headpart 1/2"
- wax thermoelement
- temperature scale handle with pre-adjustable safety stop between 35°C and 45°C
- arrangement to make the thermal disinfection easier
- swivel cast spout
- laminar flow straightener 9 l/min
- lockable stop ring
- built-in non return valves
- dirt strainers
- projection 255 mm
- covered S-unions
- lockable
- **GROHE StarLight** chrome finish



## 34 020 000 GROHTHERM ERGOMIX THERMOSTAT BASIN MIXER 1/2"



### SPARE PARTS

- 1: Temperature scale handle (Order-nr. 47409000)
- 2: Stop ring and regulating nut (Order-nr. 47278000)
- 3: Thermo-element (Order-nr. 47450000)
  - 3.1: O-Ring  $\varnothing 21 \times \varnothing 2$  (Order-nr. 0599900M)
  - 3.2: O-Ring  $\varnothing 24 \times \varnothing 2$  (Order-nr. 0119600M)
- 4: Thermostat seat (Order-nr. 01460000)
- 5: Lever 250 mm (Order-nr. 47410000)
- 6: Headpart 1/2" + lever handle (Order-nr. 47117000)
  - 6.1: O-Ring  $\varnothing 18,2 \times \varnothing 1,7$  (Order-nr. 0392400M)
- 7: Cast swivel spout (Order-nr. 13138000)
  - 7.1: Flow straightener (Order-nr. 13960000)
  - 7.2: O-Ring  $\varnothing 13,5 \times \varnothing 2,75$  (Order-nr. 0128500M)
  - 7.3: Stop limiter (Order-nr. 0974000M)
- 8: Non-return valve (Order-nr. 47189000)
  - 8.1: Filter (Order-nr. 0726400M)
  - 8.2: Non-return valve (Order-nr. 08565000)
  - 8.3: O-Ring  $\varnothing 17 \times \varnothing 2$  (Order-nr. 0305500M)
- 9: S-union (Order-nr. 12051000)
  - 9.1: Sealing washer (Order-nr. 0138600M)
  - 9.2: Escutcheon (Order-nr. 45392000)
- 10: Socket Spanner (Order-nr. 19070000)\*
- 11: Extension 30 (Order-nr. 46238000)\*
- 12: Thermo-element 1/2" for reverse waterways (Order-nr. 47282000)\*

\* Optional accessories