

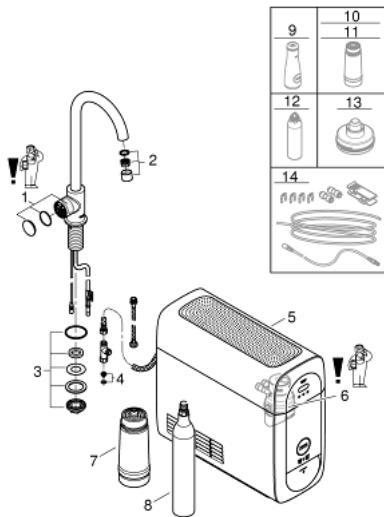
31 498 DC1 GROHE BLUE HOME MONO STARTER KIT



PRODUCT DESCRIPTION

- Consisting of:
- GROHE Blue Home Mono faucet with filter function
- monobloc installation
- C-spout
- touch operated for 3 types of filtered and chilled water
- still, medium, sparkling
- **GROHE StarLight** finish
- swivel tubular spout
- swivel area 150°
- GROHE Blue Home cooler
- delivers 3 liters of chilled sparkling water per hour
- 180 Watt cooling unit, 230 V, 50 Hz
- sound level in standby 44 dB(A)
- type of protection IP 21
- CE approved
- requires ventilation holes in the bottom of the kitchen cabinet
- software set-up and monitoring of filter and CO2 capacity possible via GROHE Ondus app
- with Bluetooth 4.0* and WIFI interface for wireless data communication
- for Apple** and Android devices
- Bluetooth range (max. 10 m) varies depending on materials used and walls between transmitter and receiver
- adjustable for GROHE Blue filter S-Size, GROHE Blue activated carbon filter and GROHE Blue magnesium + zinc filter
- GROHE Blue filter S-Size, filter head with flexible water hardness adjustment
- for regions with water hardness of more than 9° dKH
- for regions with water hardness below 9° dKH please order activated carbon filter 40 547 001
- **GROHE Blue** 425 g CO2 bottle
-
- **System requirements: Apple**
- iPhone with iOS 9.0 or higher
-
- **System requirements Android**
- ...

31 498 DC1 GROHE BLUE HOME MONO STARTER KIT



SPARE PARTS

- 1: Operating unit (Order-nr. 46958DC0)
 - 2: Flow restrictor (Order-nr. 46895DC0)
 - 3: Screw coupling (Order-nr. 48201000)
 - 4: Strainer (Order-nr. 47576000)
 - 5: Cooler (Order-nr. 40711001)
 - 6: Filter Head (Order-nr. 48344000)
 - 7: Filter S-Size (Order-nr. 40404001)
 - 8: Starter kit 425 g CO₂ bottles (4 pieces) (Order-nr. 40422000)
 - 9: Glass carafe (Order-nr. 40405000)*
 - 10: Activated carbon filter (Order-nr. 40547001)*
 - 11: Magnesium+ Filter (Order-nr. 40691001)*
 - 12: Cleaning cartridge (Order-nr. 40434001)*
 - 13: Cleaning cartridge adapter (Order-nr. 40694000)*
 - 14: Extension set (Order-nr. 40843000)*
- * Optional accessories