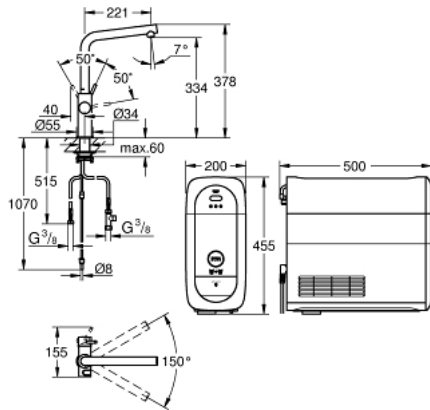


31 454 DL1 GROHE BLUE HOME L-SPOUT



PRODUCT DESCRIPTION

- Consisting of:
- GROHE Blue Home single-lever sink mixer with filter function
- monobloc installation
- L-spout
- touch operated for 3 types of filtered and chilled water
- still, medium, sparkling
- **GROHE StarLight** finish
- 28 mm ceramic cartridge
- with **GROHE SilkMove**
- swivel tubular spout
- swivel area 150°
- separate inner water ways for filtered and non-filtered water
- flexible connection hoses
- GROHE Blue Home cooler
- delivers 3 liters of chilled water per hour
- 180 Watt cooling unit, 230 V, 50 Hz
- sound level in standby 44 dB(A)
- type of protection IP 21
- CE approved
- requires ventilation holes in the bottom of the kitchen cabinet
- software set-up and monitoring of filter and CO2 capacity possible via GROHE Ondus app
- with Bluetooth 4.0* and WIFI interface for wireless data communication
- for Apple** and Android devices
- Bluetooth range (max. 10 m) varies depending on materials used and walls between transmitter and receiver
- adjustable for GROHE Blue filter S-Size, GROHE Blue activated carbon filter and GROHE Blue magnesium + zinc filter
- GROHE Blue filter S-Size, filter head with flexible water hardness adjustment
- for regions with water hardness of more than 9° dKH
- for regions with water hardness below 9° dKH please order activated carbon filter 40 547 001
- **GROHE Blue** 425 g CO2 bottle
-
- **System requirements Apple**

iPhone with iOS 9.0 or higher

System requirements Android

smart phone with Android 4.3 or higher