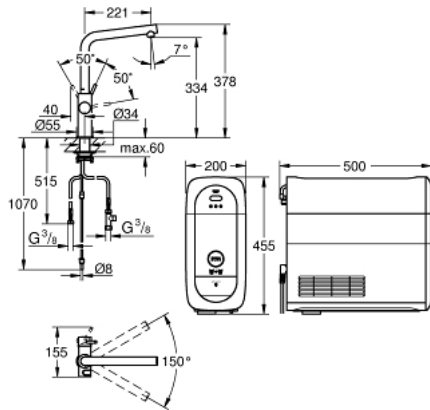


31 454 AL1 GROHE BLUE HOME L-SPOUT



PRODUCT DESCRIPTION

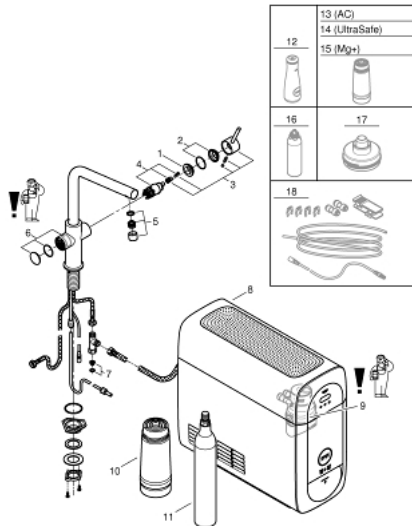
- Consisting of:
- GROHE Blue Home single-lever sink mixer with filter function
- monobloc installation
- L-spout
- touch operated for 3 types of filtered and chilled water
- still, medium, sparkling
- **GROHE StarLight** finish
- 28 mm ceramic cartridge
- with **GROHE SilkMove**
- swivel tubular spout
- swivel area 150°
- separate inner water ways for filtered and non-filtered water
- flexible connection hoses
- GROHE Blue Home cooler
- delivers 3 liters of chilled water per hour
- 180 Watt cooling unit, 230 V, 50 Hz
- sound level in standby 44 dB(A)
- type of protection IP 21
- CE approved
- requires ventilation holes in the bottom of the kitchen cabinet
- software set-up and monitoring of filter and CO2 capacity possible via GROHE Ondus app
- with Bluetooth 4.0* and WIFI interface for wireless data communication
- for Apple** and Android devices
- Bluetooth range (max. 10 m) varies depending on materials used and walls between transmitter and receiver
- adjustable for GROHE Blue filter S-Size, GROHE Blue activated carbon filter and GROHE Blue magnesium + zinc filter
- GROHE Blue filter S-Size, filter head with flexible water hardness adjustment
- for regions with water hardness of more than 9° dKH
- for regions with water hardness below 9° dKH please order activated carbon filter 40 547 001
- **GROHE Blue** 425 g CO2 bottle
-
- **System requirements Apple**

iPhone with iOS 9.0 or higher

System requirements Android

smart phone with Android 4.3 or higher

31 454 AL1 GROHE BLUE HOME L-SPOUT



SPARE PARTS

- 1: retaining ring (Order-nr. 07419000)
 - 2: Shield for cross handle (Order-nr. 46581AL0)
 - 3: Lever (Order-nr. 46957AL0)
 - 4: Cartridge (Order-nr. 46580000)
 - 5: Flow restrictor (Order-nr. 48194AL0)
 - 6: Operating unit (Order-nr. 46958AL0)
 - 7: Strainer (Order-nr. 47576000)
 - 8: Cooler (Order-nr. 40711001)
 - 9: Filter Head (Order-nr. 48344000)
 - 10: Filter S-Size (Order-nr. 40404001)
 - 11: Starter kit 425 g CO₂ bottles (4 pieces) (Order-nr. 40422000)
 - 12: Glass carafe (Order-nr. 40405000)*
 - 13: Activated carbon filter (Order-nr. 40547001)*
 - 14: UltraSafe filter (Order-nr. 40575001)*
 - 15: Magnesium+ Filter (Order-nr. 40691001)*
 - 16: Cleaning cartridge (Order-nr. 40434001)*
 - 17: Cleaning cartridge adapter (Order-nr. 40694000)*
 - 18: Extension set (Order-nr. 40843000)*
- * Optional accessories