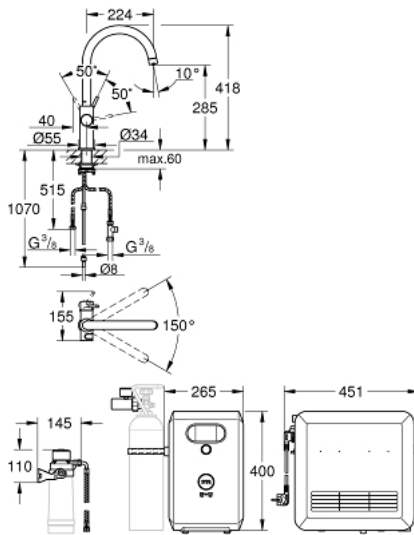


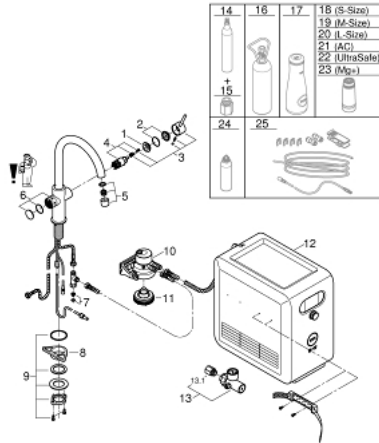
31 323 DC2 GROHE BLUE CHILLED & SPARKLING C-SPOUT KIT



PRODUCT DESCRIPTION

- Consisting of:
 - **GROHE Blue** single-lever sink mixer with filter function
 - monobloc installation
 - C-spout
 - touch operated for 3 types of filtered and chilled water
 - still, medium, sparkling
 - **GROHE StarLight** finish
 - 28 mm ceramic cartridge
- with **GROHE SilkMove**
 - swivel tubular spout
 - swivel area 150°
 - separate inner water ways for filtered and non-filtered water
- flexible connection hoses
- **GROHE Blue Professional** cooler
 - delivers 12 liters of chilled sparkling water per hour
 - colour display with push and turn control
 - 270 Watt cooling unit, 230 V, 50 Hz
 - sound level in standby 46 dB(A)
 - type of protection IP 21
 - CE approved
 - requires ventilation holes in the bottom of the kitchen cabinet
 - software set-up and monitoring of filter and CO2 capacity possible via GROHE Ondus app
 - push notifications at low filter resp. CO2 capacity
 - additional monitoring via GROHE Blue Professional Browser-Monitor possible
 - with Bluetooth 4.0* and WIFI interface for wireless data communication
 - for Apple** and Android devices
 - Bluetooth range (max. 10 m) varies depending on materials used and walls between transmitter and receiver
 - filter head with flexible water hardness adjustment
 - GROHE Blue filter, CO2 bottle and cleaning cartridge are not included in the delivery and have to be ordered separately
 - suitable filters:
 - filter S-size, capacity 600 l at 20° dKH (40 404 001)
 - filter M-size, capacity 1500 l at 20° dKH (40 430 001)
 - filter L-size, capacity 2500 l at 20° dKH (40 412 001)
 - activated carbon filter, capacity 3000 l (40 547 001)
 - Magnesium + Zinc filter, capacity 400 l at 17° dGH (40 691 002)

31 323 DC2 GROHE BLUE CHILLED & SPARKLING C-SPOUT KIT



SPARE PARTS

- 1: retaining ring (Order-nr. 07419000)
 - 2: Shield for cross handle (Order-nr. 46581DC0)
 - 3: Lever (Order-nr. 46957DC0)
 - 4: Cartridge (Order-nr. 46580000)
 - 5: Flow control (Order-nr. 48343DC0)
 - 6: Operating unit (Order-nr. 46958DC0)
 - 7: strainer (Order-nr. 47576000)
 - 8: Support plate (Order-nr. 05334000)
 - 9: Shank fastening assembly (Order-nr. 48384000)
 - 10: Filter Head (Order-nr. 64508001)
 - 11: Cooler and carbonizer (Order-nr. 40554001)
 - 12: Pressure indicator (Order-nr. 46717000)
 - 12.1: CO₂ adapter (Order-nr. 40962000)
 - 13: Starter kit 425 g CO₂ bottles (4 pieces) (Order-nr. 40422000)*
 - 14: CO₂ adapter (Order-nr. 40962000)*
 - 15: Starter kit 2 kg CO₂ bottle (Order-nr. 40423000)*
 - 16: Glass carafe (Order-nr. 40405000)*
 - 17: Filter S-Size (Order-nr. 40404001)*
 - 18: Filter M-Size (Order-nr. 40430001)*
 - 19: Filter L-Size (Order-nr. 40412001)*
 - 20: Activated carbon filter (Order-nr. 40547001)*
 - 21: Filter (Order-nr. 40575001)*
 - 22: Magnesium+ Filter (Order-nr. 40691001)*
 - 23: Cleaning cartridge (Order-nr. 40434001)*
 - 24: Cleaning cartridge adapter (Order-nr. 40694000)*
 - 25: Extension set (Order-nr. 40843000)*
- * Optional accessories