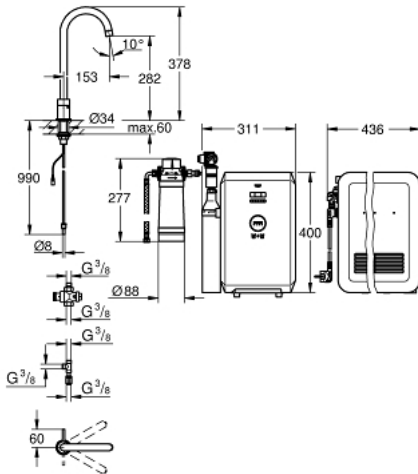


31 302 001 GROHE BLUE CHILLED & SPARKLING STARTER KIT



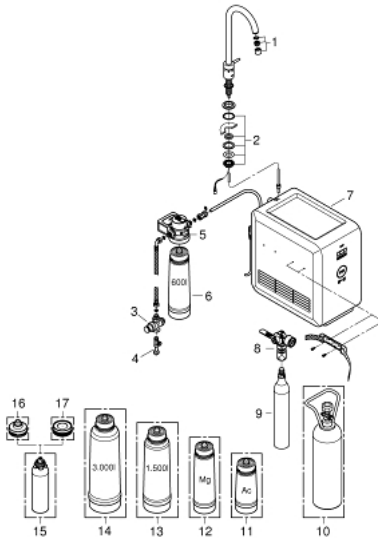
PRODUCT DESCRIPTION

- Consisting of:
- GROHE Blue Minta Mono tap with filter function
- monobloc installation
- handle for 3 types of filtered and chilled table water
- still, medium, sparkling
- **GROHE StarLight** finish
- swivel tubular spout
- swivel area 140°

- flexible connection hoses

- GROHE Blue Cube
- 270 Watt cooling unit, 230 V, 50 Hz
- type of protection IP 21
- CE approved
- requires ventilation holes in the bottom of the kitchen cabinet
- **GROHE Blue** size S filter, filter head with flexible adjustment
- for regions with water hardness of more than 9° dKH
- for regions with water hardness below 9° dKH please order activated carbon filter 40 547 001
- **GROHE Blue** 425 g CO2-carbonization bottle
- **Min. recommended pressure 2.0 bar**
- This product includes an article which is declared as a hazardous substance. Find more information in the safety data sheet. You can download the safety data sheet at: www.grohe.com/safety-data-sheets/

31 302 001 GROHE BLUE CHILLED & SPARKLING STARTER KIT



SPARE PARTS

- 1: Flow restrictor (Order-nr. 46895000)
 - 2: Screw coupling (Order-nr. 48201000)
 - 3: Pressure reducing valve (Order-nr. 40452000)
 - 4: Original WAS® T-piece 3/8" (Order-nr. 41007000)
 - 5: Filter Head (Order-nr. 64508001)
 - 6: Filter S-Size (Order-nr. 40404001)
 - 7: Cooler and carbonizer (Order-nr. 40554001)
 - 8: Pressure indicator (Order-nr. 46717000)
 - 8.1: CO₂ adapter (Order-nr. 40962000)
 - 9: Starter kit 425 g CO₂ bottles (4 pieces) (Order-nr. 40422000)
 - 10: Starter kit 2 kg CO₂ bottle (Order-nr. 40423000)*
 - 11: Activated carbon filter (Order-nr. 40547001)*
 - 12: Magnesium+ Filter (Order-nr. 40691001)*
 - 13: Filter M-Size (Order-nr. 40430001)*
 - 14: Filter L-Size (Order-nr. 40412001)*
 - 15: Cleaning cartridge (Order-nr. 40434001)*
 - 16: Cleaning cartridge adapter (Order-nr. 40694000)*
 - 17: Cleaning cartridge for adapter set (Order-nr. 40699000)*
- * Optional accessories