

31 214 001 **CONCETTO SINGLE-LEVER SINK MIXER 1/2"**

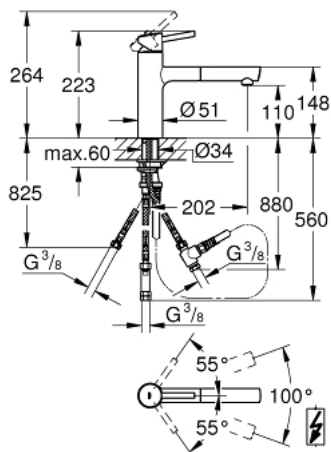


PRODUCT DESCRIPTION

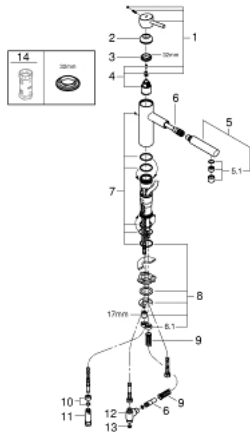
- for use with displacement water heater
- medium spout
- monobloc installation
- **GROHE StarLight** finish
- **GROHE SilkMove** 35 mm ceramic cartridge
- pull-out laminar spray
- adjustable flow rate limiter
- swivel cast spout
- swivel area 100°
- protected against backflow

- flexible connection hoses

- rapid installation system



31 214 001 **CONCETTO SINGLE-LEVER SINK MIXER 1/2"**



SPARE PARTS

- 1: Lever (Order-nr. 46822000)
 - 2: Shield for cross handle (Order-nr. 46492000)
 - 3: Screw ring (Order-nr. 46815000)
 - 4: Cartridge (Order-nr. 46558000)
 - 5: Pull out shower (Order-nr. 46831000)
 - 5.1: Flow restrictor (Order-nr. 07757000)
 - 6: Shower hose, metal (Order-nr. 45352000)
 - 7: Replacement kit for seal (Order-nr. 46760000)
 - 8: Shank mounting kit (Order-nr. 46346000)
 - 8.1: Temperature limiter (Order-nr. 04174000)
 - 9: Compression spring (Order-nr. 07240000)
 - 10: Compression union 3/8" (Order-nr. 12914000)
 - 11: Non-return valve (Order-nr. 46323000)
 - 12: Connection (Order-nr. 07202000)
 - 13: Sealing washer (Order-nr. 0199700M)
 - 14: Socket Spanner (Order-nr. 19332000)*
- * Optional accessories