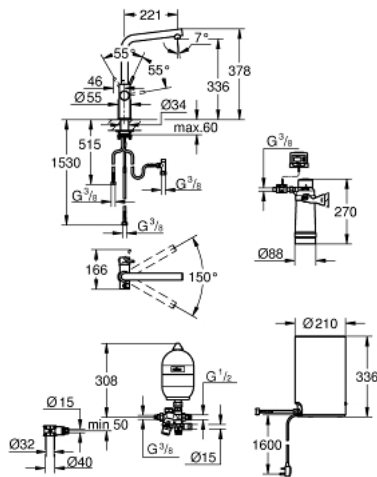


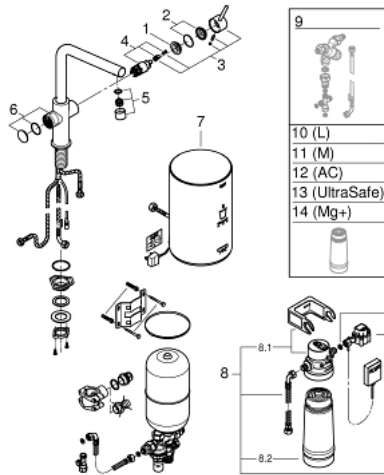
30 341 DC1 GROHE RED TAP AND M SIZE BOILER



PRODUCT DESCRIPTION

- Consisting of:
 - **GROHE Red Duo single-lever sink mixer**
 - monobloc installation
 - L-spout
 - GROHE ChildLock push buttons for kettle hot water
 - TÜV certified triple electronic safeguards against accidental activation of boiling water
 - **GROHE StarLight finish**
 - 28 mm ceramic cartridge with **GROHE SilkMove**
 - insulated tubular spout
 - swivel area 150°
 - separate water ways
 - flexible connection hoses
- connection for GROHE Red boiler
- **GROHE Red boiler M size**
 - reservoir for kettle hot and hot water
 - 3 litre 99° C kettle hot water
 - 4 litre total capacity
 - required inlet pressure: 1-7 bar
 - with flexible connection hose and outlet for kettle hot water
 - CE approved
 - power supply 230 V 50 Hz
 - power consumption 2100 W
 - standby power consumption 15 W
 - energy efficiency class A
 - GROHE Red filter set
 - for protection of the boiler from limescale
 - Capacity 600 L at 20° dKH
 - 5 phase filter
 - flow rate measuring unit

30 341 DC1 GROHE RED TAP AND M SIZE BOILER



SPARE PARTS

- 1: retaining ring (Order-nr. 07419000)
 - 2: Shield for cross handle (Order-nr. 46581DC0)
 - 3: Lever (Order-nr. 46957DC0)
 - 4: Cartridge (Order-nr. 46580000)
 - 5: Flow restrictor (Order-nr. 13999DC0)
 - 6: Operating unit (Order-nr. 46997DC0)
 - 7: Boiler Size M (Order-nr. 40842001)
 - 8: Filter with filter head (Order-nr. 40438001)
 - 8.1: Filter Head (Order-nr. 64508001)
 - 8.2: Filter S-Size (Order-nr. 40404001)
 - 9: Mixing valve (Order-nr. 40841001)*
 - 10: Filter L-Size (Order-nr. 40412001)*
 - 11: Filter M-Size (Order-nr. 40430001)*
 - 12: Activated carbon filter (Order-nr. 40547001)*
 - 13: UltraSafe filter (Order-nr. 40575001)*
 - 14: Magnesium+ Filter (Order-nr. 40691001)*
- * Optional accessories